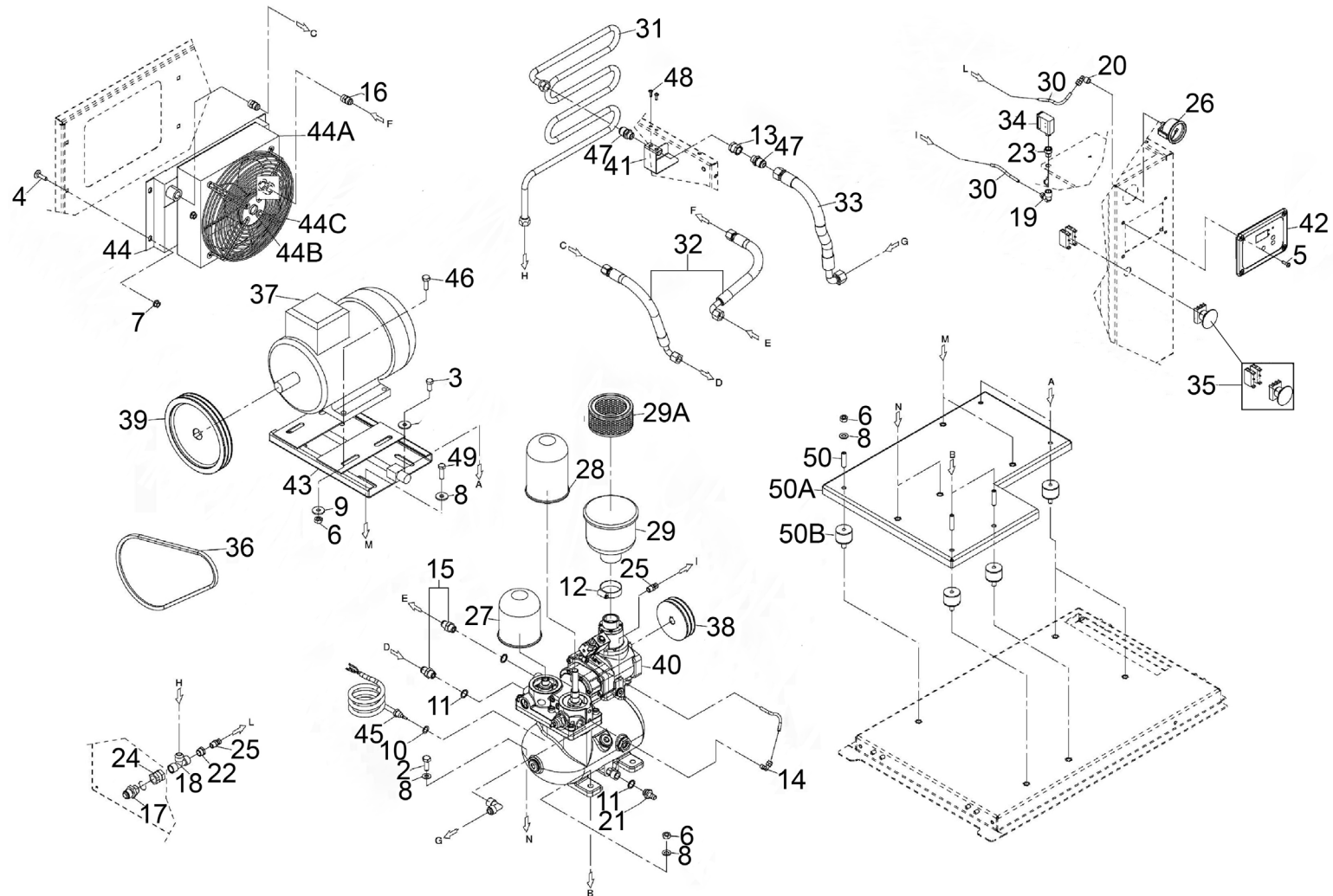




Parts Information:
Screw Air Compressor 270L 10hp 3ph Low Noise with Dryer
Model No: SSC12710D



NOTE: It is our policy to continually improve products and as such we reserve the right to alter data, specifications and component parts without prior notice.

There may be alternative versions of this product, please contact us should you require this information.

IMPORTANT: No liability is accepted for incorrect use of product. Spare parts must be fitted by a competent person

WARRANTY: Guarantee is 12 months from purchase date, proof of which will be required for any claim.

Sealey Group, Kempson Way, Suffolk Business Park, Bury St Edmunds, Suffolk. IP32 7AR



01284 757500



01284 703534



sales@sealey.co.uk



www.sealey.co.uk



Parts Information:
Screw Air Compressor 270L 10hp 3ph Low Noise with Dryer
Model No: SSC12710D

Item	Part No.	Description
2	SAC7011160000	Bolt M10 x 30mm
3	SAC7011140000	Screw M10 x 20mm
4	SAC7012610000	Screw M8 x 30mm
5	SAC7014420000	Skt. Hd Bolt M5 x 20mm
6	SN10.S	Steel Nut M10
7	SN8.S	Steel Nut M8
8	FWM10.S	Flat Washer M10
9	RW1030.S	Repair Washer M10 x 30mm
10	SAC7030670000	Washer
11	SAC7030680000	Washer
12	SAC7043140000	Clamp
13	SAC6002803838	Joint
14	SAC7080560000	Elbow 3/8" UNF (M) - 5mm Pipe
15	SAC7081340000	Joint
16	SAC7085540000	Joint
17	SAC7081311150	Union 1/2" BSP - 1/2" BSP
18	SAC7082700000	Joint, 3-Way
19	SAC7083280000	Elbow
20	SAC7083290000	Elbow
21	SAC7083940000	Joint
22	SAC7085190000	Fitting 3/8" (M) - 1/4" (F)
23	SAC7085230000	Adaptor 1/4" BSP (M) - 1/4" BSP (F)
24	SAC7085700000	Union 1/2" BSP (F) - 1/2" BSP (F)
25	SAC7086720000	Joint
26	SAC7110400000	Pressure Gauge 175PSI
27	SAC7211141150	Oil Filter Cartridge
28	SAC7211960000	Oil Separator Cartridge
29	SAC7216050000	Housing, Air Filter

Item	Part No.	Description
29A	SAC7212160010	Air Filter
30	SAC7233610000	Rilsan Hose Kit
31	SAC7235870000	Delivery Tube A
32	SAC7235860000	Outlet Hose
33	SAC7238580000	Delivery Tube B
34	SAC7250690000	Pressure Switch
35	SAC4091080000	Emergency Push Button
36	SAC7371010000	Belt (ID: 910)
37	SAC7385180000	Motor (External 3 Phase 10HP 400/690V 50Hz)
38	SAC7406640000	Pulley A
39	SAC7407500000	Pulley B
40	SAC7423310000	Screw Unit
41	SAC7511790000	Support
42	SAC7433850000	Electronic Panel
43	SAC7457030000	Belt Tensioner
44	SAC7517530000	Radiator
44A	SAC7513660000	Support, Radiator
44B	SAC7194430000	Fan
44C	SAC7194430010	Fan Cover
45	SAC7566200000	Thermal Cut Out Switch
46	SS1035.S	Hex Head Set Screw M10 x 35mm
47	SAC7081250000	Joint
48	MSP516.S	Machine Screw Pan Head Phillips M5 x 16mm
49	SAC7011530000	Screw M10 x 16mm
50	SAC7014540000	Screw M10 x 45mm
50A	SAC7172540000	Base
50B	SAC7364190000	Shock Absorber
--	SAC4094910000	Panel Kit (Not Shown)

NOTE: It is our policy to continually improve products and as such we reserve the right to alter data, specifications and component parts without prior notice. There may be alternative versions of this product, please contact us should you require this information.

IMPORTANT: No liability is accepted for incorrect use of product. Spare parts must be fitted by a competent person

WARRANTY: Guarantee is 12 months from purchase date, proof of which will be required for any claim.

Sealey Group, Kempson Way, Suffolk Business Park, Bury St Edmunds, Suffolk. IP32 7AR



01284 757500



01284 703534

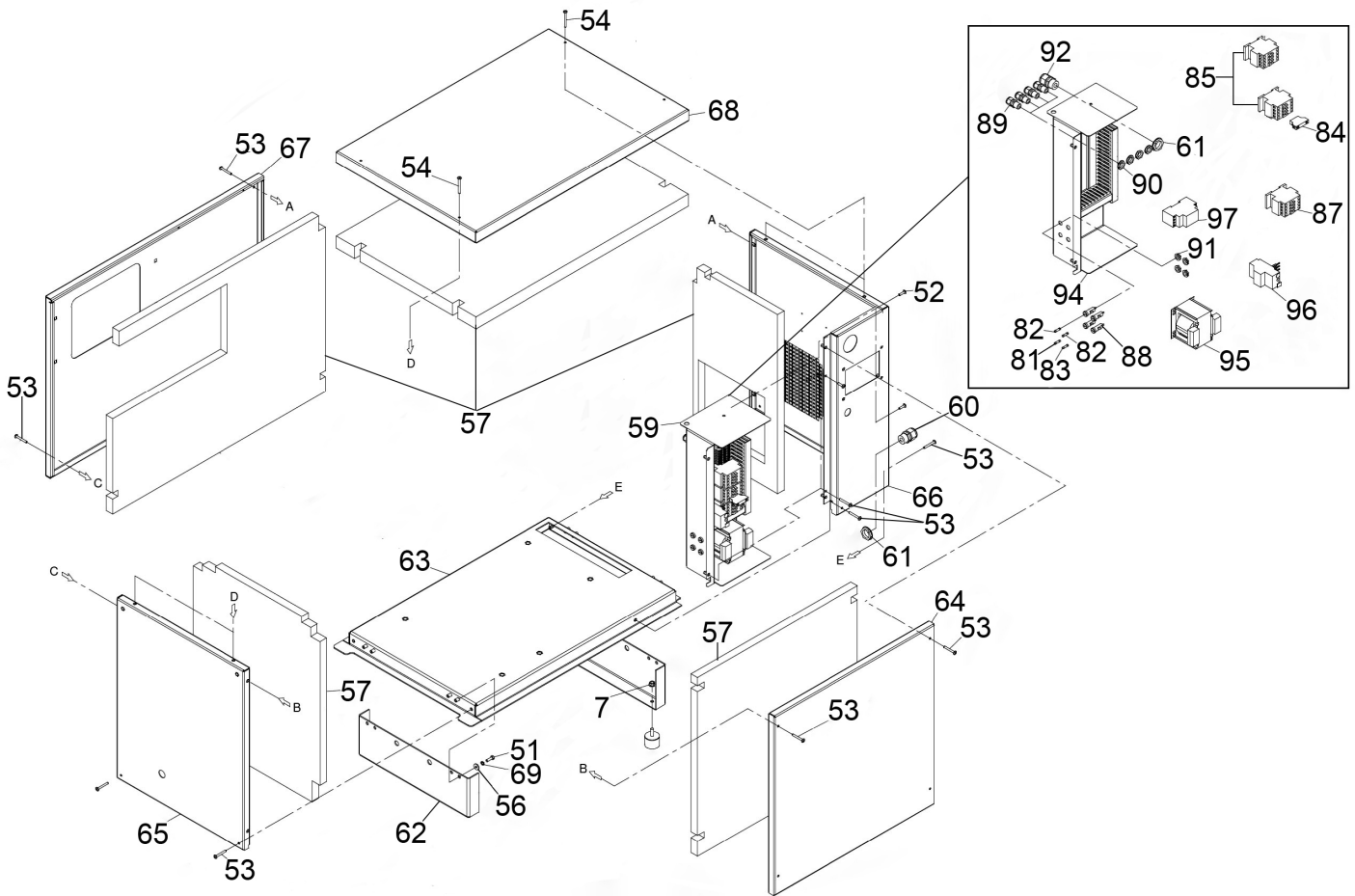


sales@sealey.co.uk



www.sealey.co.uk

Parts Information:
Screw Air Compressor 270L 10hp 3ph Low Noise with Dryer
Model No: SSC12710D



Item	Part No.	Description
7	SN8.S	Steel Nut M8
51	SS620.S	Hex Head Set Screw M6 x 20mm
52	SAC7014420000	Skt. Hd Bolt M5 x 20mm
53	BHSS540.SB	Button Head Socket Screw M5 x 40mm Black
54	SAC7014450000	Screw M5 x 50mm
56	RW619.S	Repair Washer M6 x 19mm
57	SAC7213520000	Soundproof Kit
59	SAC7414750000	Control Box
60	SAC7500650000	Adjuster
61	SAC7500650010	Lock Nut M25
62	SAC5167430008	Foot
63	SAC7514120000	Base
64	SAC7514130000	Front Panel, Short (c/w Cut-Out Switch)
65	SAC7514140000	Side Panel, Left
66	SAC7514150000	Side Panel, Right (w/ Vent Holes)
67	SAC7514160000	Rear Panel
68	SAC7514170000	Upper Panel

Item	Part No.	Description
69	SAC7031030000	Washer
81	SAC7431640000	Fuse, Ceramic 1A 250V 5 x 20
82	SAC1127430272	Fuse, Delayed 1A 5 x 20
83	SAC1127430273	Fuse, Ceramic Delayed 630M/A 5 x 20
84	SAC7432780000	Contact
85	SAC7432260000	Contact (K1 & 2)
87	SAC7433510000	Contact (K3)
88	SAC7435000000	Fuse Holder
89	SAC7500430000	Height Adjuster
90	SAC7500430010	Lock Nut, Plastic M16 x 1.5mm
91	NLN12.S	Nyloc Nut M12
92	SAC7500650000	Adjuster
94	SAC7514180000	Electric Box
95	SAC7564340000	Transformer
96	SAC7432420000	Thermal Relay
97	SAC7434070000	Relay

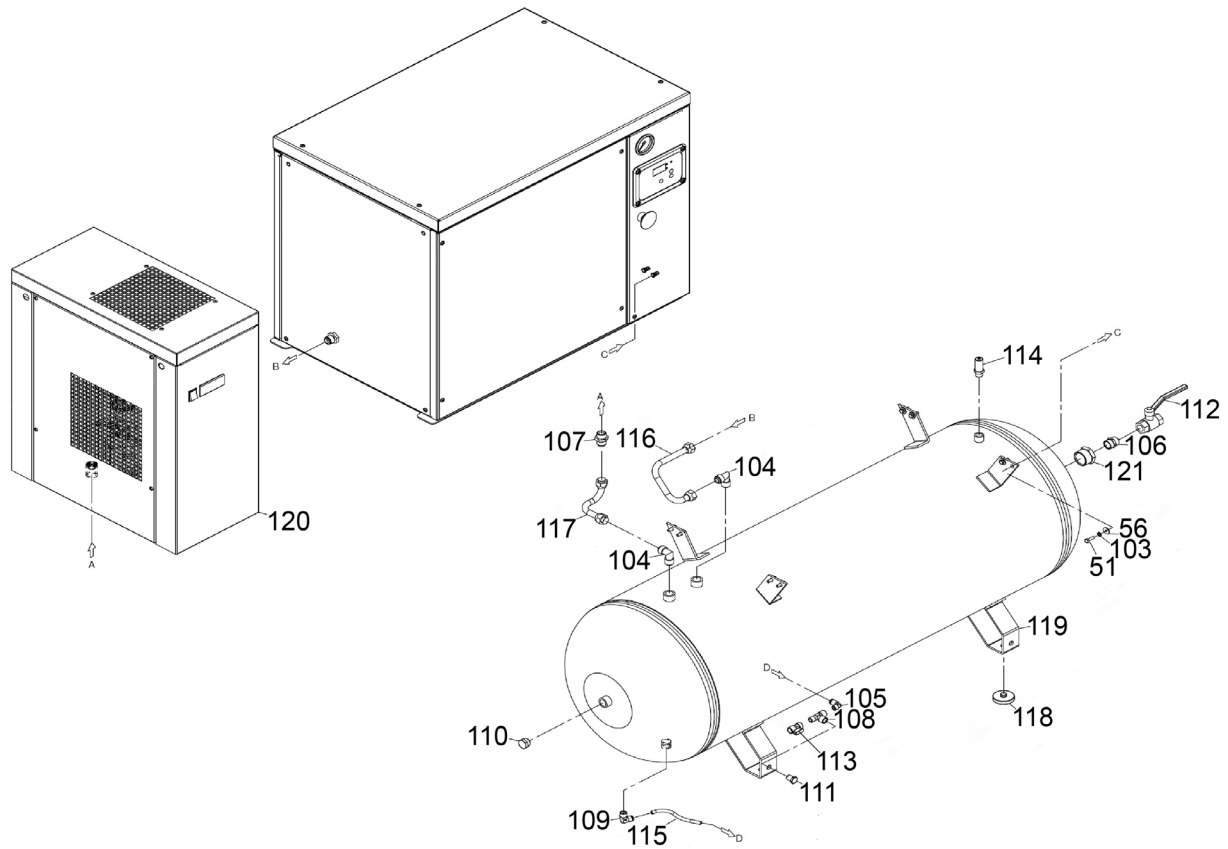
NOTE: It is our policy to continually improve products and as such we reserve the right to alter data, specifications and component parts without prior notice. There may be alternative versions of this product, please contact us should you require this information.

IMPORTANT: No liability is accepted for incorrect use of product. Spare parts must be fitted by a competent person

WARRANTY: Guarantee is 12 months from purchase date, proof of which will be required for any claim.



Parts Information:
Screw Air Compressor 270L 10hp 3ph Low Noise with Dryer
Model No: SSC12710D



Item	Part No.	Description
51	SS620.S	Hex Head Set Screw M6 x 20mm
56	RW619.S	Repair Washer M6 x 19mm
103	SAC7031030000	Washer
104	SAC7080160000	Elbow 1/2" BSP (M) x 2
105	SAC7080970000	Elbow 1/4" BSP (M) - 8mm Pipe
106	SAC7081010000	Union 1/2" BSP (M) x 2 (33mm)
107	SAC7081311150	Union 1/2" BSP (M) -x 2 (40mm)
108	SAC7082050000	Cross Connector 1/4"
109	SAC7082820000	Elbow 3/8" BSP (M) - 8mm Pipe
110	SAC7090030000	Plug 1/2"
111	SAC7090090000	Plug 1/4"

Item	Part No.	Description
112	SAC7130150000	Ball Valve 1/2" BSP (F) - 1/2" BSP (M)
113	SAC7130170000	Ball Valve 1/4" BSP (F) x 2
114	SAC7192090000	Safety Valve 10Bar 3/8" BSP (M)
115	SAC7230080000	Hose
116	SAC7235010000	Delivery Tube
117	SAC7235020000	Hose
118	SAC7360400000	Rubber Foot
119	SAC7475760000	Tank 300L
120	SAC7566680000	Dryer, Grey
121	SAC7085120000	Tank Plug

NOTE: It is our policy to continually improve products and as such we reserve the right to alter data, specifications and component parts without prior notice. There may be alternative versions of this product, please contact us should you require this information.

IMPORTANT: No liability is accepted for incorrect use of product. Spare parts must be fitted by a competent person

WARRANTY: Guarantee is 12 months from purchase date, proof of which will be required for any claim.

Sealey Group, Kempson Way, Suffolk Business Park, Bury St Edmunds, Suffolk. IP32 7AR



01284 757500



01284 703534

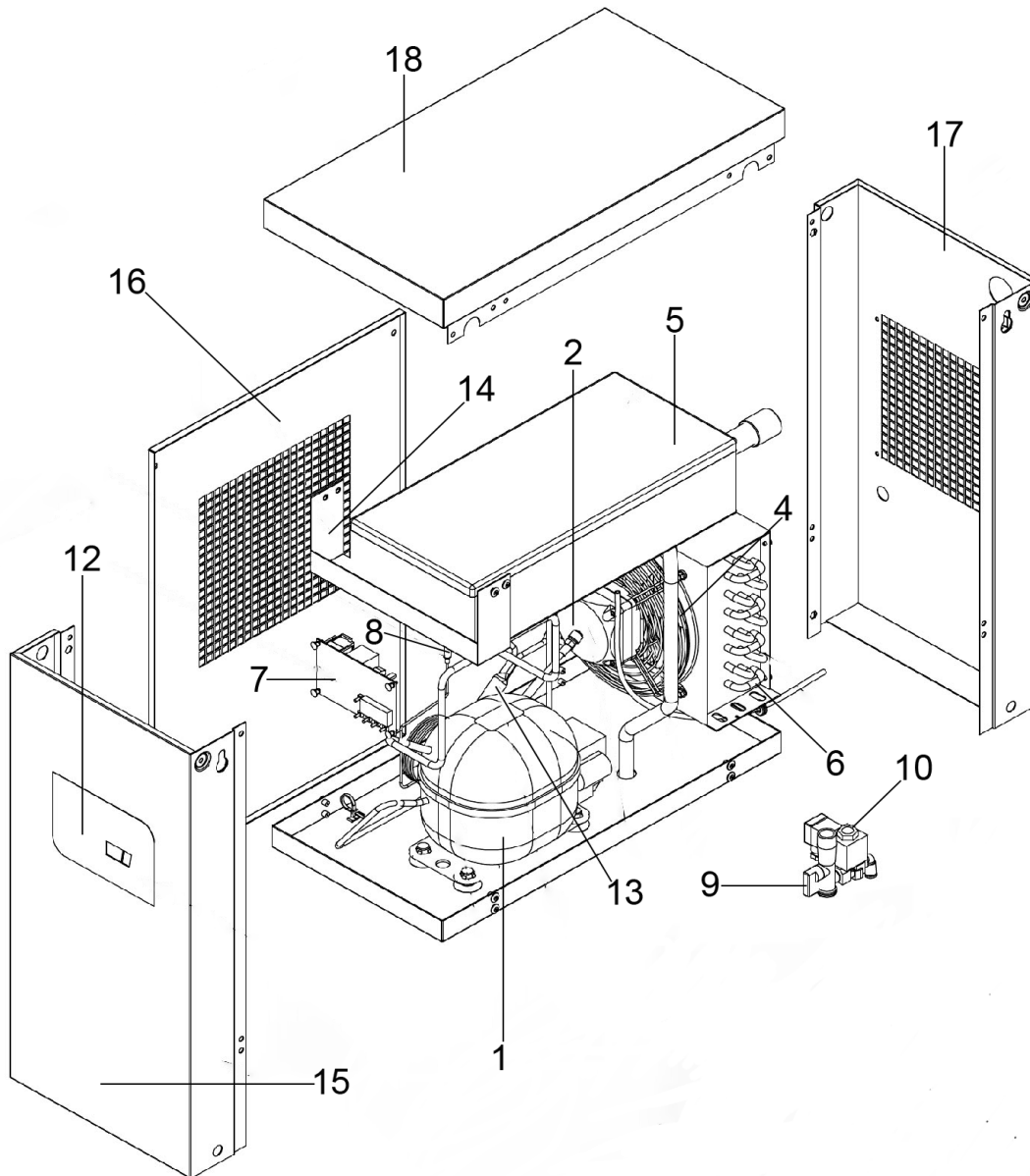


sales@sealey.co.uk



www.sealey.co.uk

Parts Information:
Screw Air Compressor 270L 10hp 3ph Low Noise with Dryer
Model No: SSC12710D



Item	Part No.	Description
1	SAC7566260010	Refrigerant Compressor 230V
2	SAC7566260020	Fan Motor 230V
4	SAC7566260040	Grid
5	SAC7566260050	Base, Heat Exchanger
6	SAC7566260060	Capacitor
7	SAC7566260070	Electric Controller 230V
8	SAC7566260080	Probe, Air Dryer
9	SAC7566260090	Tap, (c/w Strainer)
10	SAC7566260100	Solenoid Drain Valve 230V
12	SAC7566260120	Cover, Control Panel
13	SAC7566260130	Filter Dryer

Item	Part No.	Description
14	SAC7566260140	Bracket, Heat Exchanger
15	SAC7566260150	Panel, Front
16	SAC7566260160	Panel, Side
17	SAC7566260170	Panel, Rear
18	SAC7566260180	Cover
--	SAC7566260030	Fan Blade (Not Shown)
--	SAC7566260110	Coil, Drain Solenoid Valve (Not Shown)
--	SAC7423310020	Plug Key (c/w Brass Washer)(Not Shown)
--	SAC1120017387	Fuse 2A (Not Shown)
--	SAC1127430164	Fuse, Rapid 1A (Not Shown)

NOTE: It is our policy to continually improve products and as such we reserve the right to alter data, specifications and component parts without prior notice. There may be alternative versions of this product, please contact us should you require this information.

IMPORTANT: No liability is accepted for incorrect use of product. Spare parts must be fitted by a competent person

WARRANTY: Guarantee is 12 months from purchase date, proof of which will be required for any claim.