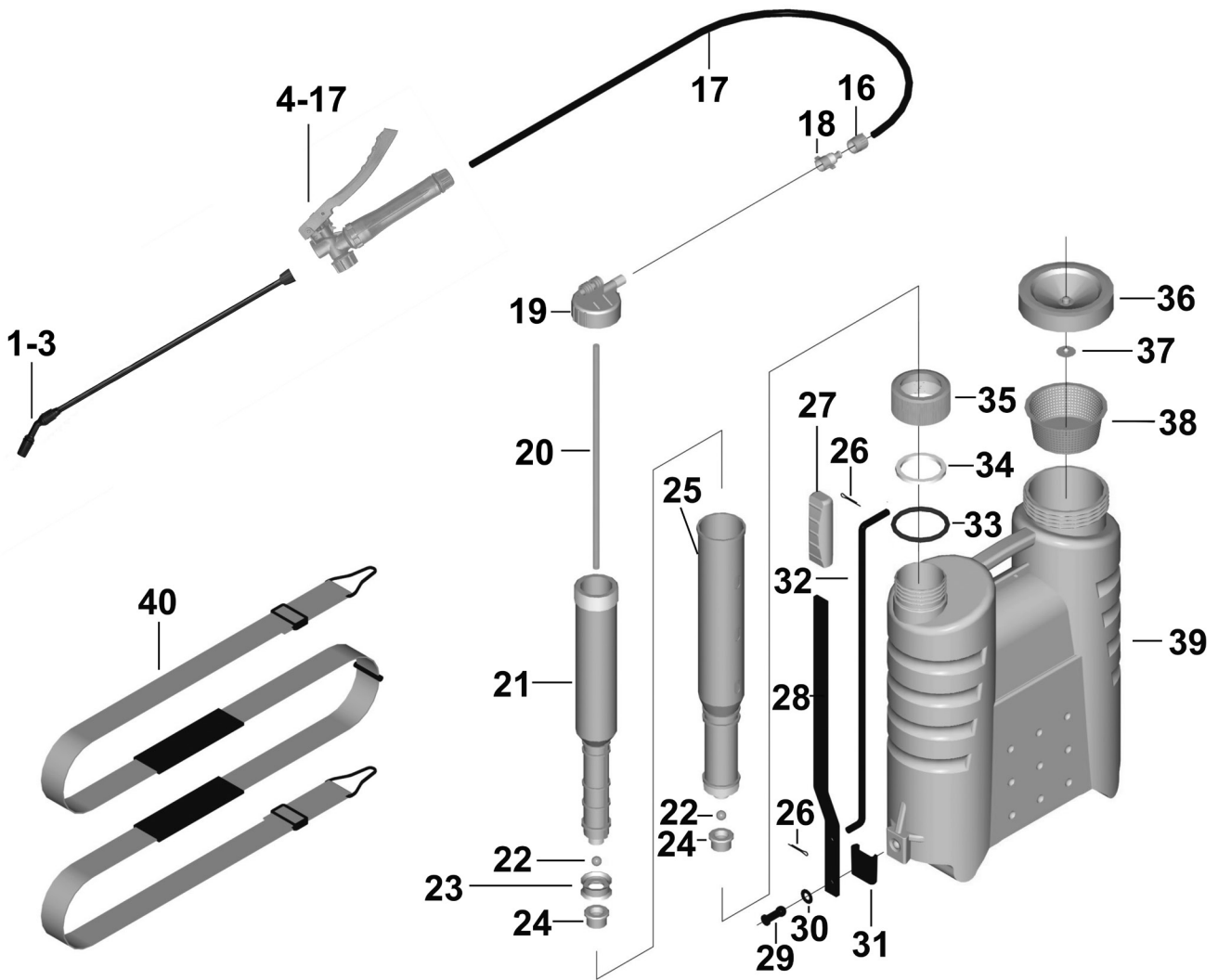




Parts Information:
Backpack Sprayer 16L
Model No: SS4.V3



Item	Part No.	Description
1-3	SS4.V3-01-03	Lance Assembly (c/w Nozzle & O-Ring)
4-17	SS4.V3-04-17	Trigger Assembly
17	SS4.V3-17	Hose
18	SS4.V3-18	Connector for Pump Head
19-25	SS4.V3-19-25	Pump Assembly
26	SS4.V3-26	R-Pin
27-31	SS4.V3-27-31	Lever Assembly
32	SS4.V3-32	Rod Wire

Item	Part No.	Description
33	SS4.V3-33	Pump Cap O-Ring
34	SS4.V3-34	Pump Cap Gasket
35	SS4.V3-35	Pump Cap
36-37	SS4.V3-36-37	Tank Cap (c/w Gasket)
38	SS4.V3-38	Tank Filter
39	SS4.V3-39	Tank
40	SS4.V3-40	Tank Strap

NOTE: It is our policy to continually improve products and as such we reserve the right to alter data, specifications and component parts without prior notice. There may be alternative versions of this product, please contact us should you require this information.

IMPORTANT: No liability is accepted for incorrect use of product. Spare parts must be fitted by a competent person

WARRANTY: Guarantee is 12 months from purchase date, proof of which will be required for any claim.

Sealey Group, Kempson Way, Suffolk Business Park, Bury St Edmunds, Suffolk. IP32 7AR



01284 757500



01284 703534



sales@sealey.co.uk



www.sealey.co.uk