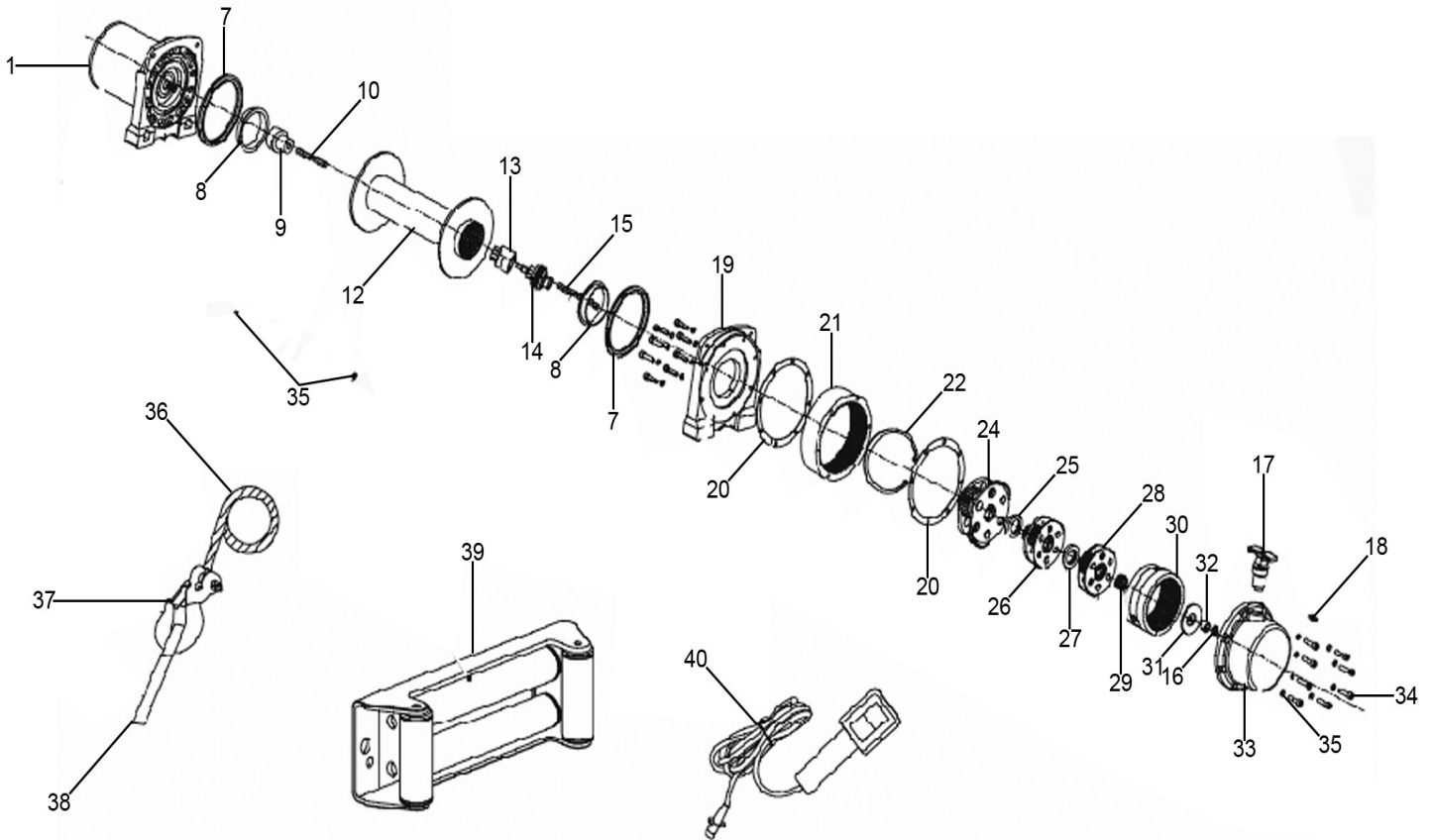




Parts Information:  
**Self Recovery Winch 2720kg (6000lb) Line  
 Pull 12V**  
**Model No: SRW2720**



Item	Part No.	Description
1	SRW2720.01	Motor Assembly
7	SRW5450.07	Seal Ring
8	SRW5450.08	Plastic Ring
9	SRW5450.09	Shaft Connector
10	SRW5450.10	Hex Shaft A
12	SRW4300.12	Drum
13	SRW5450.13	Brake Coupling
14	SRW5450.14	Brake Assembly
15	SRW5450.15	Hex Shaft B
16	SRW5450.16	Reducer Washer
17	SRW5450.17	Clutch
18	GSM48.S	Grub Screw M4 x 8mm
19	SRW4300.19	Gearbox Frame
20	SRW5450.20	Seal
21	SRW5450.21	Gear Ring, Stage 3
22	SRW5450.22	Circlip
24	SRW5450.24	Planetary Gear Assembly, Stage 3
25	SRW5450.25	Reducer Washer

Item	Part No.	Description
26	SRW5450.26	Planetary Gear Assembly, Stage 2
27	SRW5450.27	Reducer Washer
28	SRW5450.28	Planetary Gear Assembly, Stage 1
29	SRW5450.29	Gear, Stage 1
30	SRW5450.30	Gear Ring, Stage 1 & 2
31	SRW5450.31	Reducer Washer
32	SRW5450.32	Brass Bush
33	SRW5450.33	Gearbox Body
34	SCB625.S	Socket Cap Bolt M6 x 25mm
35	SWM6.S	Spring Washer M6
36	SRW2720.DR	Dyneema Rope
37	WH.02	Winch Hook
38	SRW5450.38	Hand Saver
39	SRW4300.39	Lead Roller
40	SRW5450.40	Remote Control
--	SRW5450.41	Hardware Kit (Not Shown)
--	SRW2720.WR	Wire Rope (Not Shown)

**NOTE:** It is our policy to continually improve products and as such we reserve the right to alter data, specifications and component parts without prior notice. There may be alternative versions of this product, please contact us should you require this information.

**IMPORTANT:** No liability is accepted for incorrect use of product. Spare parts must be fitted by a competent person

**WARRANTY:** Guarantee is 12 months from purchase date, proof of which will be required for any claim.

**Sealey Group**, Kempson Way, Suffolk Business Park, Bury St Edmunds, Suffolk. IP32 7AR



01284 757500



01284 703534



sales@sealey.co.uk



www.sealey.co.uk