

Item	Part No.	Description
1	SR20M.01B	Gun Body
1A	SR20M/01A	Casing Screw M4 x 80mm
2	SR20M/02	Micro Switch
3	SR20M/03	Electrode Holder
4	SR20M/04	Spring
5	SR20M/05	Sleeve, Electrode Holder
7	SR20M/07	Brass Nut
8	SR20M/08	Copper Connection
9	SR20M/09	Transformer

Item	Part No.	Description
10	SR20M/10	Sleeve
11	SR20M/11	Power Cord Assembly
12	SR20M/12	Handgrip
13	SR20M/13	Seal Ring
15	SR20M/15	Sleeve Insulating Bush
16	SR20M/16A	Jaw (Set of 3)
17	SR20M/17	Central Pin
18	SR20M/18	Spring

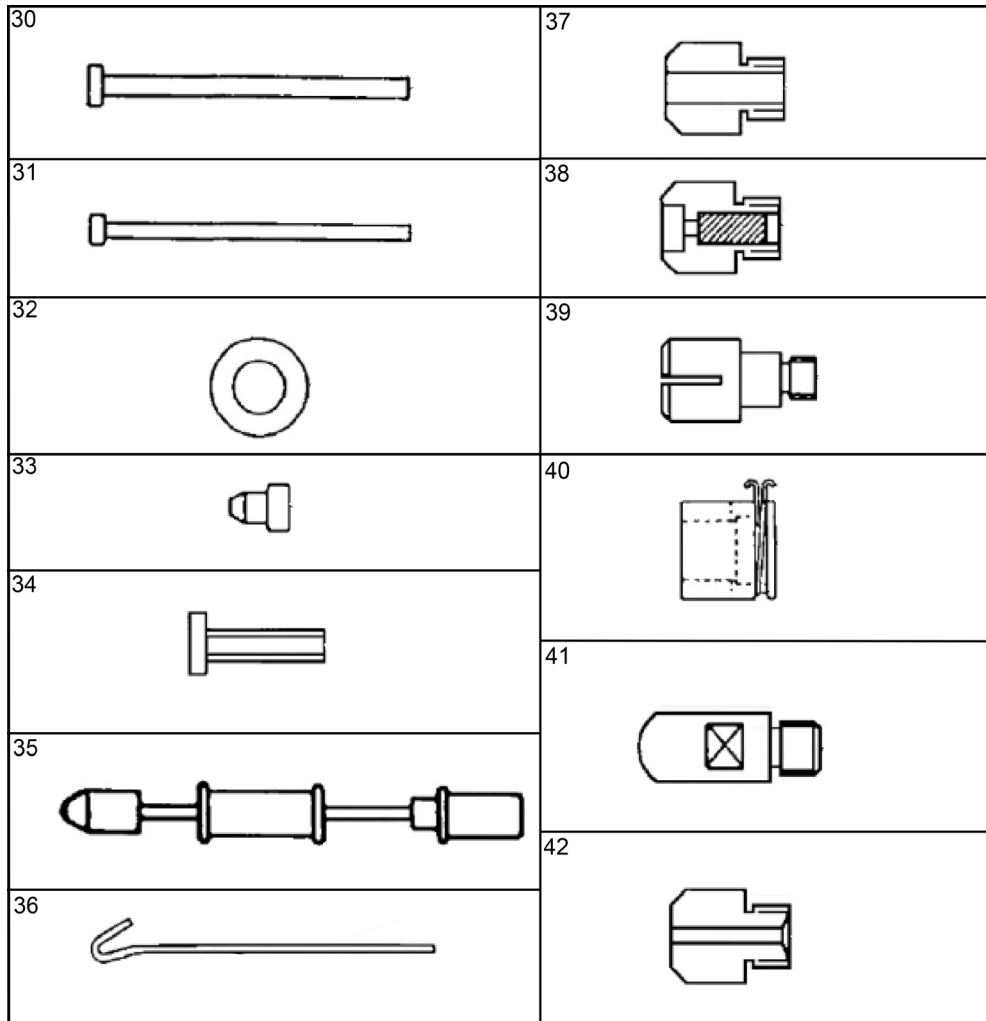
NOTE: It is our policy to continually improve products and as such we reserve the right to alter data, specifications and component parts without prior notice. There may be alternative versions of this product, please contact us should you require this information.

IMPORTANT: No liability is accepted for incorrect use of product. Spare parts must be fitted by a competent person

WARRANTY: Guarantee is 12 months from purchase date, proof of which will be required for any claim.

Item	Part No.	Description
19	SR20M/19	Spring
20	SR20M/20	Bush, Outer
21	SR20M/21	Plug, Outer
22	SR20M/22	Plug, Inner
23	SR20M/23	Striking Hammer
24	SR20M/24	Rod

Item	Part No.	Description
25	SR20M/25	Handle Grip, Slide Hammer
26	SR20M/26	Spindle Assembly
27	SR20M/27	Nozzle, Outer
28	SR20M/28	Body, Spindle
29	SR20M/29	Bush, Spindle
--	SR20M/16	Jaw (Not Shown)



Item	Part No.	Description
30	PS/0002	Stud Welding Nail 2.5 x 50mm (Pack of 100)
31	PS/0003	Stud Welding Nail 2 x 50mm (Pack of 100)
32	PS/0004	Stud Welding Washer 8 x 15 x 1.5mm (Pack of 100)
33	PS/0007	Stud Welding Rivet (Pack of 100)
34	PS/0009	Stud Welding Rivet, Threaded
35	SR20M/101	Slide Hammer Assembly
36	SR20M/109	Hook, Washer
37	SR20M/104	Electrode, Screw

Item	Part No.	Description
38	SR20M/105	Electrode, Rivet
39	SR20M/106	Electrode, Washer
40	SR20M/107	Main Electrode
41	SR20M/108	Heating Electrode
42	SR20M/102	Electrode
--	SR20M/102A	Electrode (Not Shown)
--	SR20M.C	Plastic Case (Not Shown)
--	SR20M.HS	Heat Sleeve (Not Shown)

NOTE: It is our policy to continually improve products and as such we reserve the right to alter data, specifications and component parts without prior notice. There may be alternative versions of this product, please contact us should you require this information.

IMPORTANT: No liability is accepted for incorrect use of product. Spare parts must be fitted by a competent person

WARRANTY: Guarantee is 12 months from purchase date, proof of which will be required for any claim.