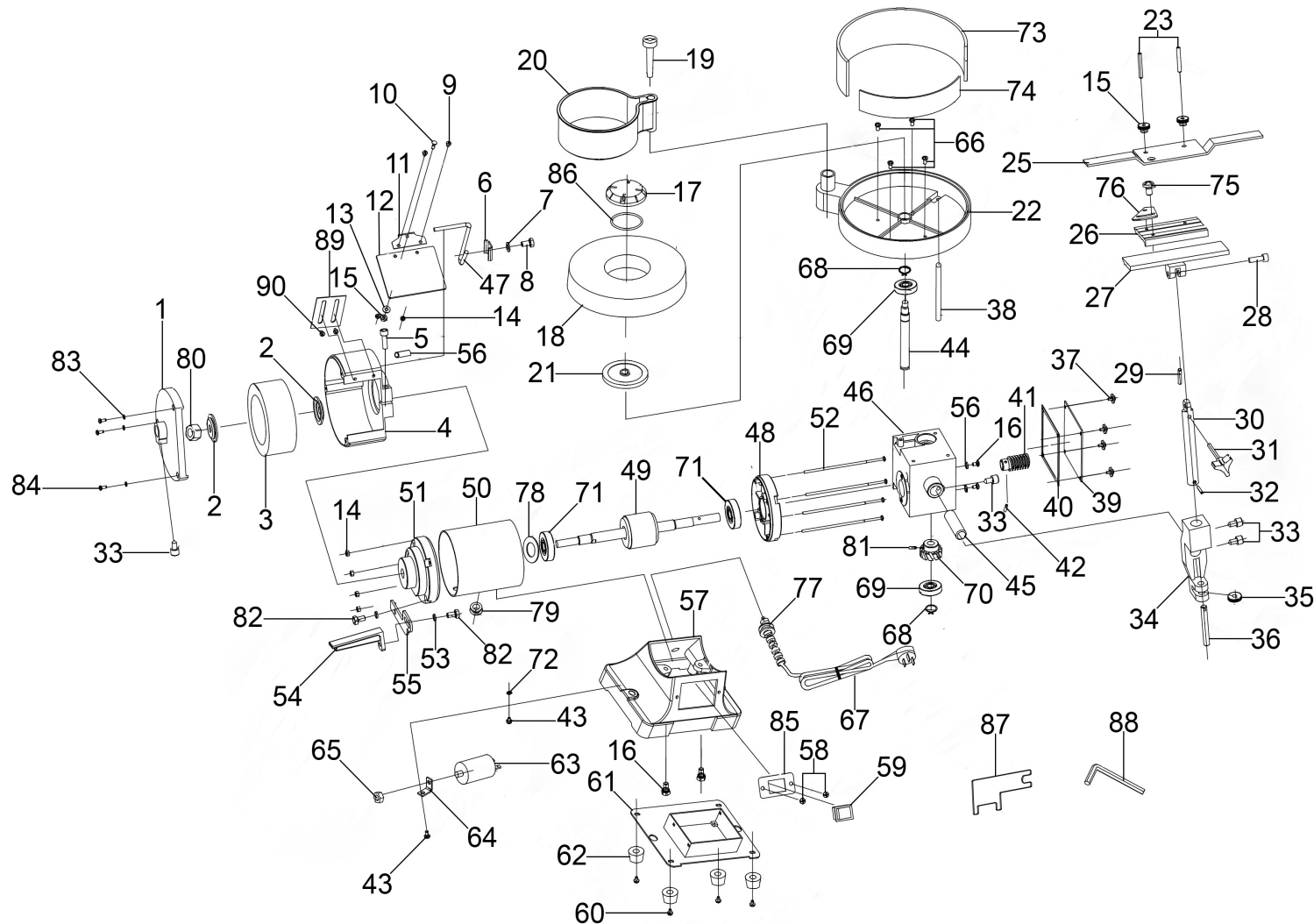




Parts Information:  
**Bench Grinder/Sharpener Wet & Dry Ø200/125mm 250W/230V**  
**Model No: SMS2107**



**NOTE:** It is our policy to continually improve products and as such we reserve the right to alter data, specifications and component parts without prior notice.

There may be alternative versions of this product, please contact us should you require this information.

**IMPORTANT:** No liability is accepted for incorrect use of product. Spare parts must be fitted by a competent person

**WARRANTY:** Guarantee is 12 months from purchase date, proof of which will be required for any claim.

Sealey Group, Kempson Way, Suffolk Business Park, Bury St Edmunds, Suffolk. IP32 7AR



01284 757500



01284 703534



sales@sealey.co.uk



www.sealey.co.uk



Parts Information:  
**Bench Grinder/Sharpener Wet & Dry**  
**Ø200/125mm 250W/230V**  
**Model No: SMS2107**

Item	Part No.	Description
1	SMS2107.01	Cover, Wheel Guard
2	SMS2107.02	Flange
3	SMS2107GW125D	Wheel, Dry Stone
4	SMS2107.04	Wheel Guard, Inner
5	SCB840.SB	Socket Cap Bolt M8 x 40mm Black
6	SMS2107.06	Lock Plate
7	SMS2107.07	Flat Washer M8
8	SMS2107.08	Hex Screw M8 x 14mm
9	SMS2107.09	Phillips Screw M4 x 10mm
10	CBN616.SB	Coach Bolt M6 x 16mm Black
11	SMS2107.11	Eyeshield Bracket
12	SMS2107.12	Eyeshield
13	SMS2107.13	Flat Washer M6
14	SN4.S	Steel Nut M4
15	SN6.S	Steel Nut M6
16	SMS2107.16	Phillips Screw M6 x 18mm (c/w Spring Washer)
17	SMS2107.17	Lock Nut
18	SMS2107GW200W	Wheel, Wet Stone
19	SMS2107.19	Lever, Flow Adjust
20	SMS2107.20	Water Cup
21	SMS2107.21	Flange
22	SMS2107.22	Guard Cover, Wet Wheel
23	SMS2107.23	Hex Socket Screw M6 x 45mm
25	SMS2107.25	Rest, Tool Holder
26	SMS2107.26	Plate, Tool Holder
27	SMS2107.27	Base, Tool Holder
28	SCB820.SB	Socket Cap Bolt M8 x 20mm Black
29	SMS2107.29	Spring Pin M6 x 45mm
30	SMS2107.30	Adjusting Rod
31	SMS2107.31	Adjusting Handle
32	SMS2107.32	Pin
33	SMS2107.33	Hex Socket Screw M8 x 20mm
34	SMS2107.34	Support
35	SN10.S	Steel Nut M10
36	SMS2107.36	Adjusting Screw / Adjusting screw
37	SMS2107.37	Phillips Screw (c/w Flat Washer)
38	SMS2107.38	Plastic Pipe
39	SMS2107.39	Cover, Case Body
40	SMS2107.40	Sealing Gasket
41	SMS2107.41	Worm Gear
42	SA291.V3-32	Spring Pin
43	SMS2107.43	Phillips Screw M4 x 8mm (c/w Spring Washer + Flat Washer)
44	SMS2107.44	Shaft, Worm Gear
45	SMS2107.45	Bushing

Item	Part No.	Description
46	SMS2107.46	Gear Box
47	SMS2107.47	Eyeshield Support
48	SMS2107.48	End Cap, Right
49	SMS2107.49	Rotor
50	SMS2107.50	Stator
51	SMS2107.51	End Cap, Left
52	SMS2107.52	Phillips Screw M4 x 145mm (c/w Washer)
53	SMS2107.53	Spring Washer M8
54	SMS2107.54	Tool Rest
55	SMS2107.55	Support, Tool Rest
56	SMS2107.56	Flat Washer M6
57	SMS2107.57	Base
58	SMS2107.58	Phillips Screw M5 x 8mm
59	SMS2107.59	Switch, Power Rocker
60	SMS2107.60	Phillips Screw M5 x 16mm (c/w Washer)
61	SMS2107.61	Spacer Plate
62	SMS2107.62	Rubber Foot
63	SMS2107.63	Capacitor
64	SMS2107.64	Capacitor Support
65	SN8.S	Steel Nut M8
66	SMS2107.66	Phillips Screw M5 x 10mm (c/w Spring Washer)
67	SMS2107.67	Power Cord Assembly
68	GSA07.41	Circlip
69	SMS2107.69	Bearing
70	SMS2107.70	Worm Shaft
71	SMS2107.71	Bearing
72	SMS2107.72	Lock Washer M4
73	SMS2107.73	Guard Ring A
74	SMS2107.74	Guard Ring B
75	SMS2107.75	Phillips Screw M6 x 8mm
76	SMS2107.76	Angle Scale
77	SMS2107.77	Cord Bushing
78	SMS2107.78	Wavey Washer
79	SMS2107.79	Rubber Bushing
80	SN12.S	Steel Nut M12
81	800TTJ.227	Spring Pin M4 x 25mm
82	SS812.SB	Hex Head Set Screw M8 x 12mm Black
83	SMS2107.83	Spring Washer M5
84	MSP512.SB	Machine Screw Pan Head Phillips M5 x 12mm Black
85	SMS2107.85	Switch Plate
86	SMS2107.86	O-Ring
87	SMS2107.87	Special Wrench
88	SMS2107.88	Internal Hex Wrench
89	SMS2107.89	Spark Protector
90	MSP58.S	Machine Screw Pan Head Phillips M5 x 8mm

**NOTE:** It is our policy to continually improve products and as such we reserve the right to alter data, specifications and component parts without prior notice. There may be alternative versions of this product, please contact us should you require this information.

**IMPORTANT:** No liability is accepted for incorrect use of product. Spare parts must be fitted by a competent person

**WARRANTY:** Guarantee is 12 months from purchase date, proof of which will be required for any claim.

**Sealey Group**, Kempson Way, Suffolk Business Park, Bury St Edmunds, Suffolk. IP32 7AR



01284 757500



01284 703534



sales@sealey.co.uk



www.sealey.co.uk