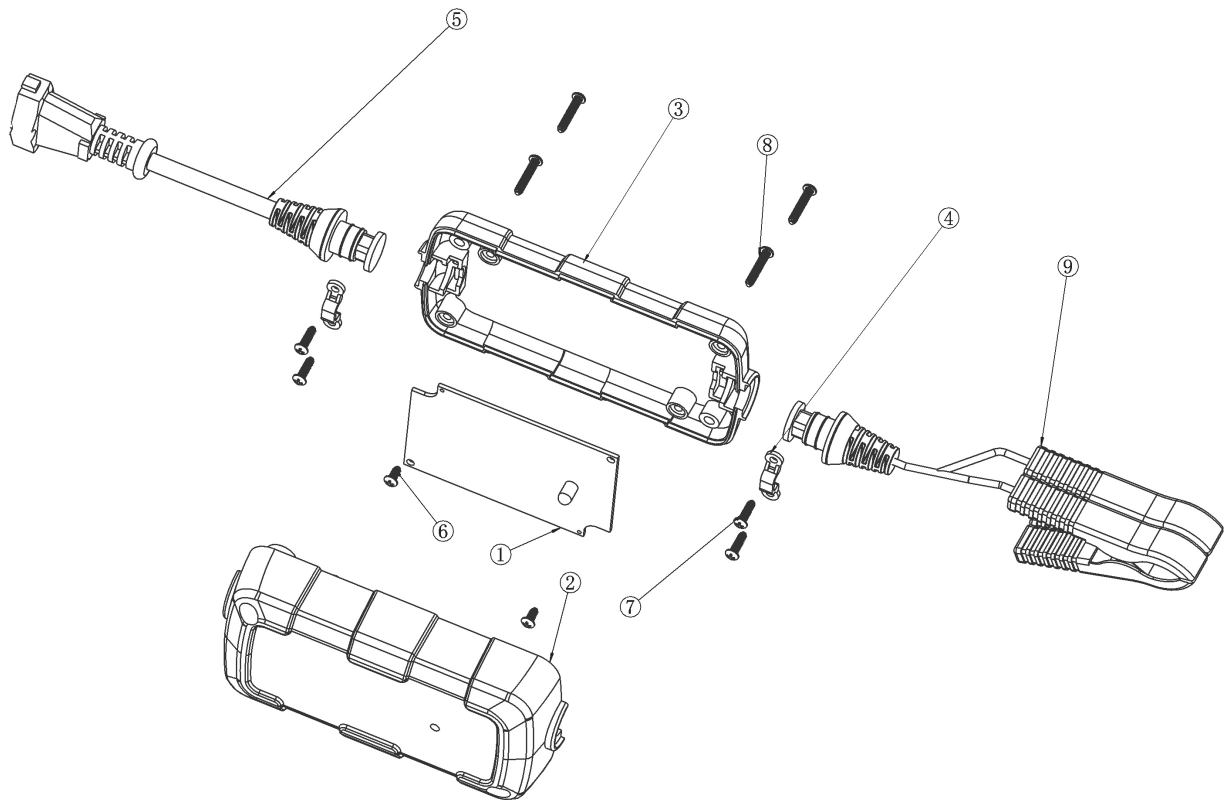




Parts Information:  
**Battery Charger Compact Auto  
 Maintenance - 3-Cycle 12V  
 Model No: SMC11**



Item	Part No.	Description
1	SMC11.01	PCB
2	SMC11.02	UPPER COVER
3	SMC11.03	BOTTOM COVER
4	SMC11.04	CLAMP CLIP
5	SMC11.05	AC PLUG WITH CABLE

Item	Part No.	Description
6	SMC11.06	SCREW 3x8mm
7	SMC11.07	SCREW 3x12mm
8	SMC11.08	SCREW 3x10mm
9	SMC11.09	POSITIVE & NEGATIVE CLAMP ASS'Y
10	SMC11.10	O-RING

**NOTE:** It is our policy to continually improve products and as such we reserve the right to alter data, specifications and component parts without prior notice.

**IMPORTANT:** No liability is accepted for incorrect use of product.

**WARRANTY:** Guarantee is 12 months from purchase date, proof of which will be required for any claim.

**Sealey Group**, Kempson Way, Suffolk Business Park, Bury St Edmunds, Suffolk. IP32 7AR



01284 757500



01284 703534



sales@sealey.co.uk



www.sealey.co.uk