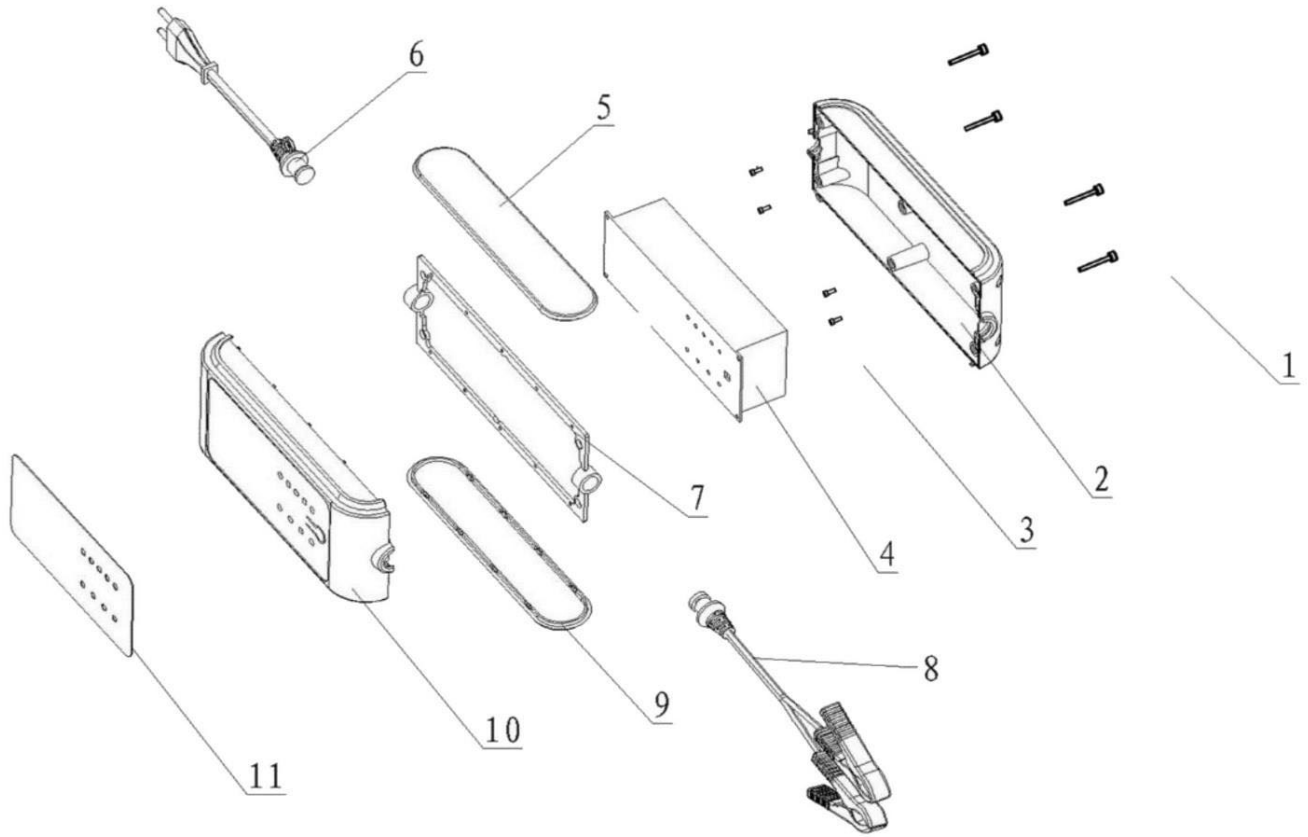




Parts Information:  
**Compact Auto Digital Battery Charger -  
 9-Cycle 12V  
 Model No: SMC04.V2**



Item	Part No.	Description
1	SMC04.V2-01	SELF TAPPING SCREW
2	SMC04.V2-02	BACK COVER
3	SMC04.V2-03	SELF TAPPING SCREW
4	SMC04.V2-04	PCB
5	SMC04.V2-05	SIDE COVER
6	MC2CX0.75	MAINS CABLE BLK, 2 CORE, 0.75 MM2

Item	Part No.	Description
7	SMC04.V2-07	SEALING RING
8	SMC04.V2-08	DC CORD
9	SMC04.V2-09	SIDE COVER
10	SMC04.V2-10	FRONT COVER
11	SMC04.V2-11	LABEL

**NOTE:** It is our policy to continually improve products and as such we reserve the right to alter data, specifications and component parts without prior notice.

**IMPORTANT:** No liability is accepted for incorrect use of product.

**WARRANTY:** Guarantee is 12 months from purchase date, proof of which will be required for any claim.

**Sealey Group**, Kempson Way, Suffolk Business Park, Bury St Edmunds, Suffolk. IP32 7AR



01284 757500



01284 703534



sales@sealey.co.uk



www.sealey.co.uk