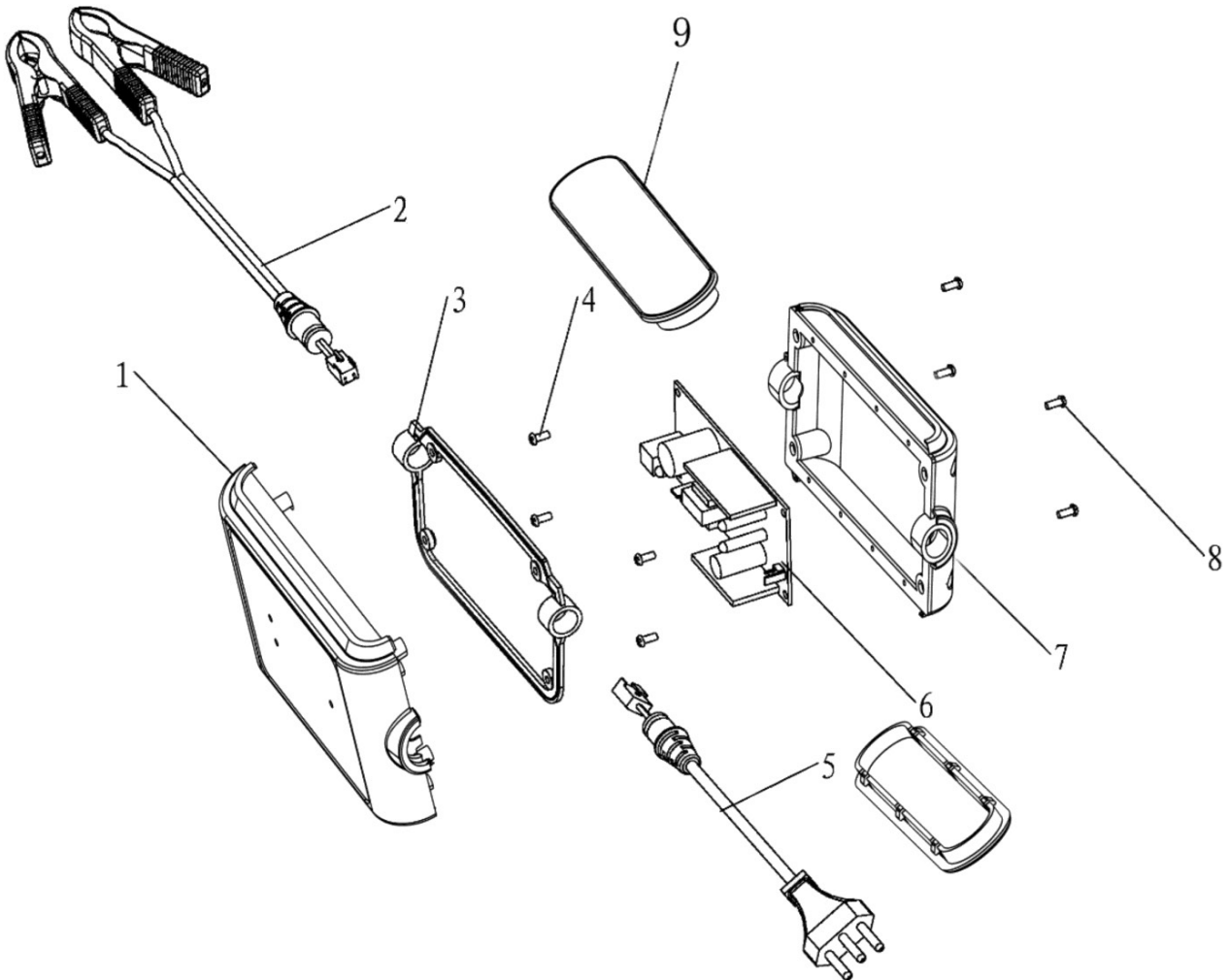




Parts Information:
**Compact Auto Maintenance Battery
 Charger - 3-Cycle 12V
 Model No: SMC01.V3**



Item	Part No.	Description
1	SMC01.V2-01	FRONT COVER
2	SMC01.V2-02	DC CORD
3	SMC01.V2-03	SEALING RING
4	SMC01.V2-04	SELF TAPPING SCREW M3 X 6
5	MC2CX0.75	MAINS CABLE BLK, 2 CORE, 0.75 MM2

Item	Part No.	Description
6	SMC01.V2-06	PCB
7	SMC01.V2-07	BACK COVER
8	SMC01.V2-08	SELF TAPPING SCREW M3 X 14
9	SMC01.V2-09	SIDE COVER

NOTE: It is our policy to continually improve products and as such we reserve the right to alter data, specifications and component parts without prior notice.

IMPORTANT: No liability is accepted for incorrect use of product.

WARRANTY: Guarantee is 12 months from purchase date, proof of which will be required for any claim.

Sealey Group, Kempson Way, Suffolk Business Park, Bury St Edmunds, Suffolk. IP32 7AR



01284 757500



01284 703534



sales@sealey.co.uk



www.sealey.co.uk