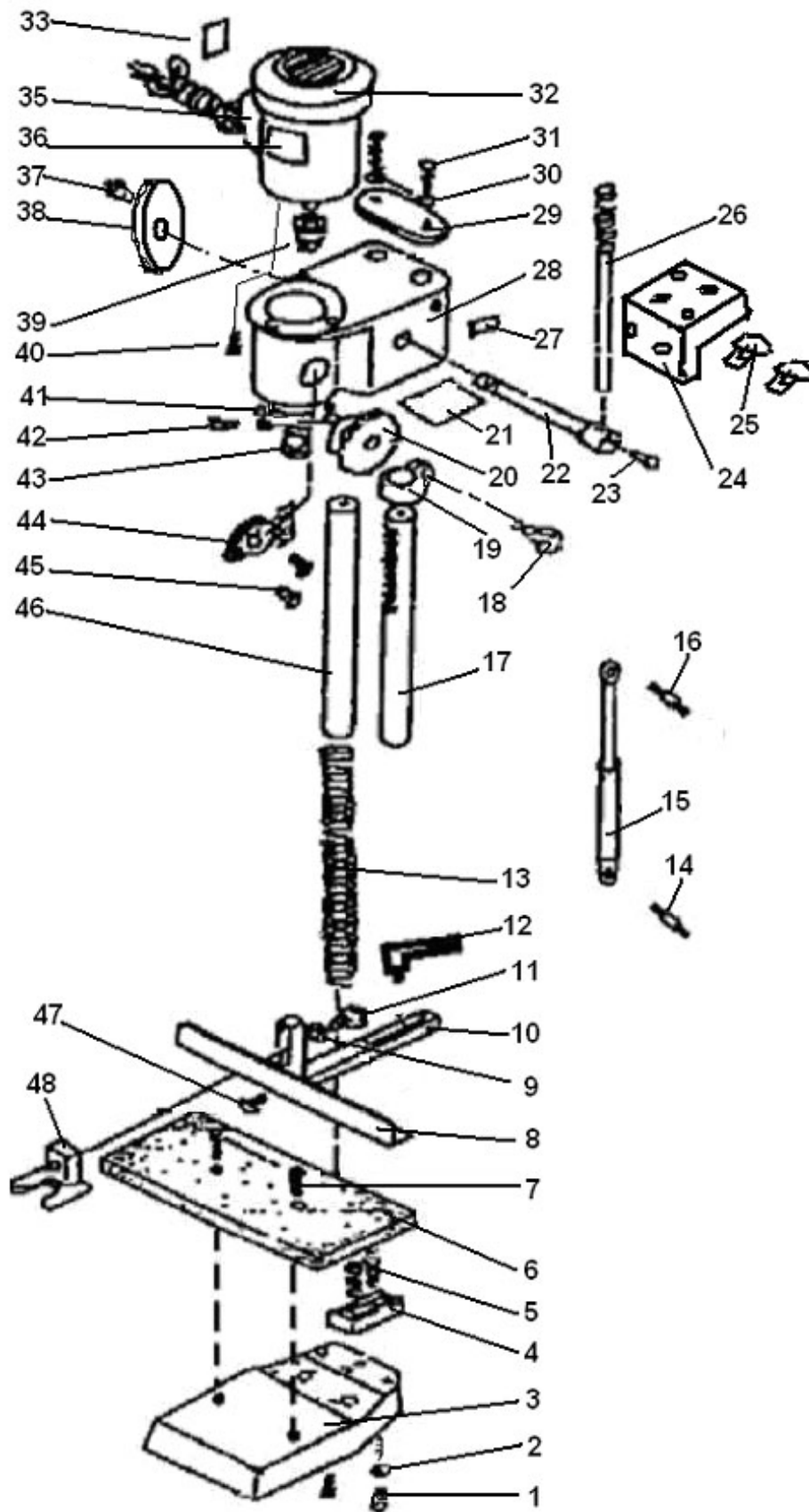




Parts Information:  
Hollow Chisel Mortiser 1/2" 230V  
Model No: SM94.V3



**NOTE:** It is our policy to continually improve products and as such we reserve the right to alter data, specifications and component parts without prior notice. There may be alternative versions of this product, please contact us should you require this information.

**IMPORTANT:** No liability is accepted for incorrect use of product. Spare parts must be fitted by a competent person

**WARRANTY:** Guarantee is 12 months from purchase date, proof of which will be required for any claim.

Sealey Group, Kempson Way, Suffolk Business Park, Bury St Edmunds, Suffolk. IP32 7AR



01284 757500



01284 703534



sales@sealey.co.uk



www.sealey.co.uk



Parts Information:  
**Hollow Chisel Mortiser 1/2" 230V**  
**Model No: SM94.V3**

Item	Part No.	Description
1	SM94.V3-01	Bolt M10 x 25mm
2	SWM10.SB	Spring Washer M10 Black
3	SM94.V3-03	Base
4	SM94.V3-04	Lower Bracket
5	SM94.V3-05	Hex Key Screw
6	SM94.V3-06	Work Table
7	MSC825.SB	Csk Phillips Machine Screw M8 x 25 Black
8	SM94.V3-08	Fence
9	FWM10.SB	Flat Washer M10 Black
10	SM94.V3-10	Upper Bracket
11	SM94.V3-11	Knob
12	SM94.V3-12	Handle
13	SM94.V3-13	Spring
14	SM94.V3-14	Screw
15	SM94.V3-15	Cylinder
16	SM94.V3-16	Screw
17	SM94.V3-17	Shaft, Gear Column
18	SM94.V3-18	Knob
19	SM94.V3-19	Guide, Depth Set
20	SM94.V3-20	Gear
21	SM94.V3-21	Access Plate, Gear
22	SM94.V3-22	Gear Shaft
23	SM94.V3-23	Set Screw
24	SM94.V3-24	Bracket
25	SM94.V3-25	Screw
26	SM94.V3-26	Handle, Gear Shaft
27	SM94.V3-27	Warning Plate A
28	SM94.V3-28	Gear Casing
29	SM94.V3-29	Step Plate

Item	Part No.	Description
30	SM94.V3-30	Washer
31	SM94.V3-31	Set Screw
32	SM94.V3-32	Motor
33	SM94.V3-33	Name Plate
35	SM96.A-57	Switch, Power
36	SM94.V3-36	Warning Plate B
37	SM94.V3-37	Screw
38	SM94.V3-38	Plate
39	SM94.V3-39	Chuck
40	SM94.V3-40	Screw
41	SM94.V3-41	Screw
42	SCB616.SB	Socket Cap Bolt M6 x 16mm Black
43	SM94.V3-43	Chisel Bushing
44	SM94.V3-44	Guide Cover
45	SM94.V3-45	Screw
46	SM94.V3-46	Guide Column
47	SM94.V3-47	Screw
48	SM94.V3-48	Clamp
--	SM94CDS14	Chisel & Drill Set 1/4" (Not Shown)
--	SM94CDS38	Chisel & Drill Set 3/8" (Not Shown)
--	SM94CDS12	Chisel & Drill Set 1/2" (Not Shown)
--	SM94.A04	1/4" Drill Bit (Not Shown)
--	SM94.A05	3/8" Drill Bit (Not Shown)
--	SM94.A06	1/2" Drill Bit (Not Shown)
--	SM94.A07	5mm Hex Wrench (Not Shown)
--	SM94.A08	6mm Hex Wrench (Not Shown)
--	SM94.A09	Chuck (Not Shown)
--	SM94.A10	Arbor Extension (Not Shown)

**NOTE:** It is our policy to continually improve products and as such we reserve the right to alter data, specifications and component parts without prior notice. There may be alternative versions of this product, please contact us should you require this information.

**IMPORTANT:** No liability is accepted for incorrect use of product. Spare parts must be fitted by a competent person

**WARRANTY:** Guarantee is 12 months from purchase date, proof of which will be required for any claim.

**Sealey Group**, Kempson Way, Suffolk Business Park, Bury St Edmunds, Suffolk. IP32 7AR



01284 757500



01284 703534



sales@sealey.co.uk



www.sealey.co.uk