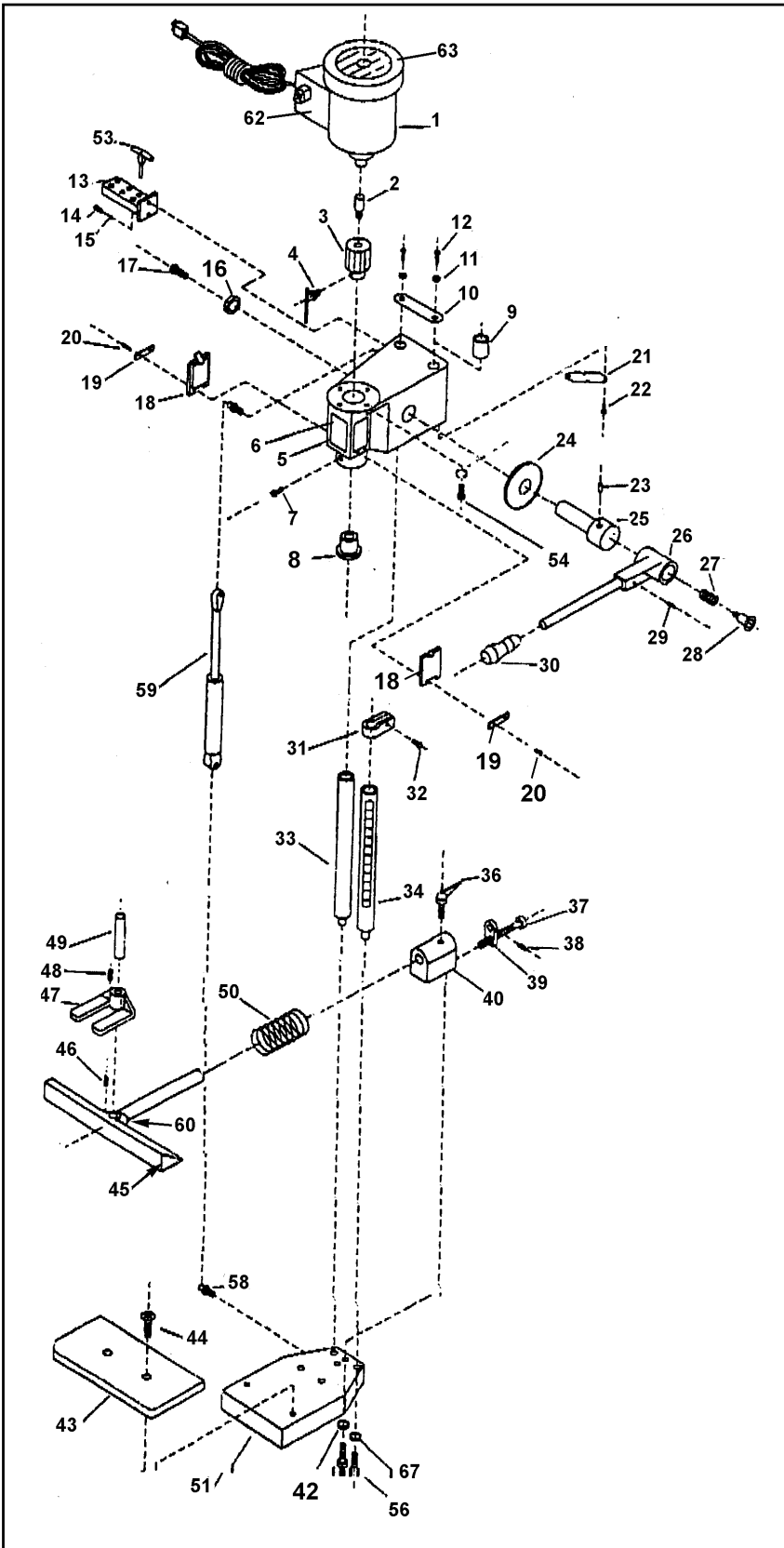


PARTS LIST

HOLLOW CHISEL MORTISER

Model SM94/C



NO.	PART NO	DESCRIPTION
1	SM94C/01	MOTOR ASSY
2	SM94C/02	ADAPTOR
3	SM94C/03	CHUCK, INCL
4	SM94C/04	KEY
5	SM94C/05	HEAD, INCL
6	SM94C/06	LABEL
7	SM94C/07	HEX HEAD SCREW M8x20mm
8	SM94C/08	BUSHING
9	SM94C/09	GUIDE SLEEVE
10	SM94C/10	POSITION PLATE
11	SM94C/11	FLAT WASHER M10
12	SM94C/12	HEX HEAD SCREW M10x35mm
13	SM94C/13	HOLDER
14	SM94C/14	HEX SOCKET HEAD SCREW M6x25mm
15	SM94C/15	FLAT WASHER M6
16	SM94C/16	SPECIAL WASHER
17	SM94C/17	FLAT HEAD SCREW M16x22mm
18	SM94C/18	COVER
19	SM94C/19	HINGE
20	SM94C/20	PAN HEAD SCREW
21	SM94C/21	LOWER COVER PLATE
22	SM94C/22	PAN HEAD SCREW M5x6mm
23	SM94C/23	SPRING PIN M6x30mm
24	SM94C/24	GEAR
25	SM94C/25	HUB ASSY, INCL
26	SM94C/26	HANDLE ASSY
27	SM94C/27	SPRING
28	SM94C/28	SHOULDER BOLT
29	SM94C/29	SPRING PIN M6x20mm
30	SM94C/30	GRIP
31	SM94C/31	SPACING SLEEVE
32	SM94C/32	KNOB
33	SM94C/33	SPINDLE
34	SM94C/34	TOOTHED SPINDLE
36	SM94C/36	HANDLE ASSY
37	SM94C/37	SPECIAL BOLT
38	SM94C/38	HEX SOCKET SET SCREW M8x10mm
39	SM94C/39	GUIDE
40	SM94C/40	BRACKET
41	SM94C/41	LOCK WASHER
42	SM94C/42	HEX HEAD NUT
43	SM94C/43	TABLE
44	SM94C/44	FLAT HEAD SCREW M6x35mm
45	SM94C/45	FENCE
46	SM94C/46	HEX SOCKET SET SCREW M8x10mm
47	SM94C/47	HOLD DOWN
48	SM94C/48	HEX SOCKET SET SCREW M8x10mm
49	SM94C/49	ROD
50	SM94C/50	SPRING
51	SM94C/51	BASE/TABLE
53	SM94C/53	T HANDLE
54	SM94C/54	HEX HEAD SCREW M6x30
56	SM94C/56	HEX HEAD SCREW M10x30
57	SM94C/57	LOCK WASHER
58	SM94C/58	JUNCTION SCREW
59	SM94C/59	CYLINDER
60	SM94C/60	LOCKING COLLAR
61	SM94C.01F	FAN FOR MOTOR *
62	SM94C.SB	SWITCH BOX
63	SM94C/01C	MOTOR COVER

SM94C/CDS-1/4 CHISEL/DRILL SET *
 SM94C/CDS-3/8 CHISEL/DRILL SET *
 SM94C/CDS-1/2 CHISEL/DRILL SET *

* NOT SHOWN

Issue Date: 31 0702
 Issue No: 1

NOTE: It is our policy to continually improve products and as such we reserve the right to alter data, specifications and component parts without prior notice.