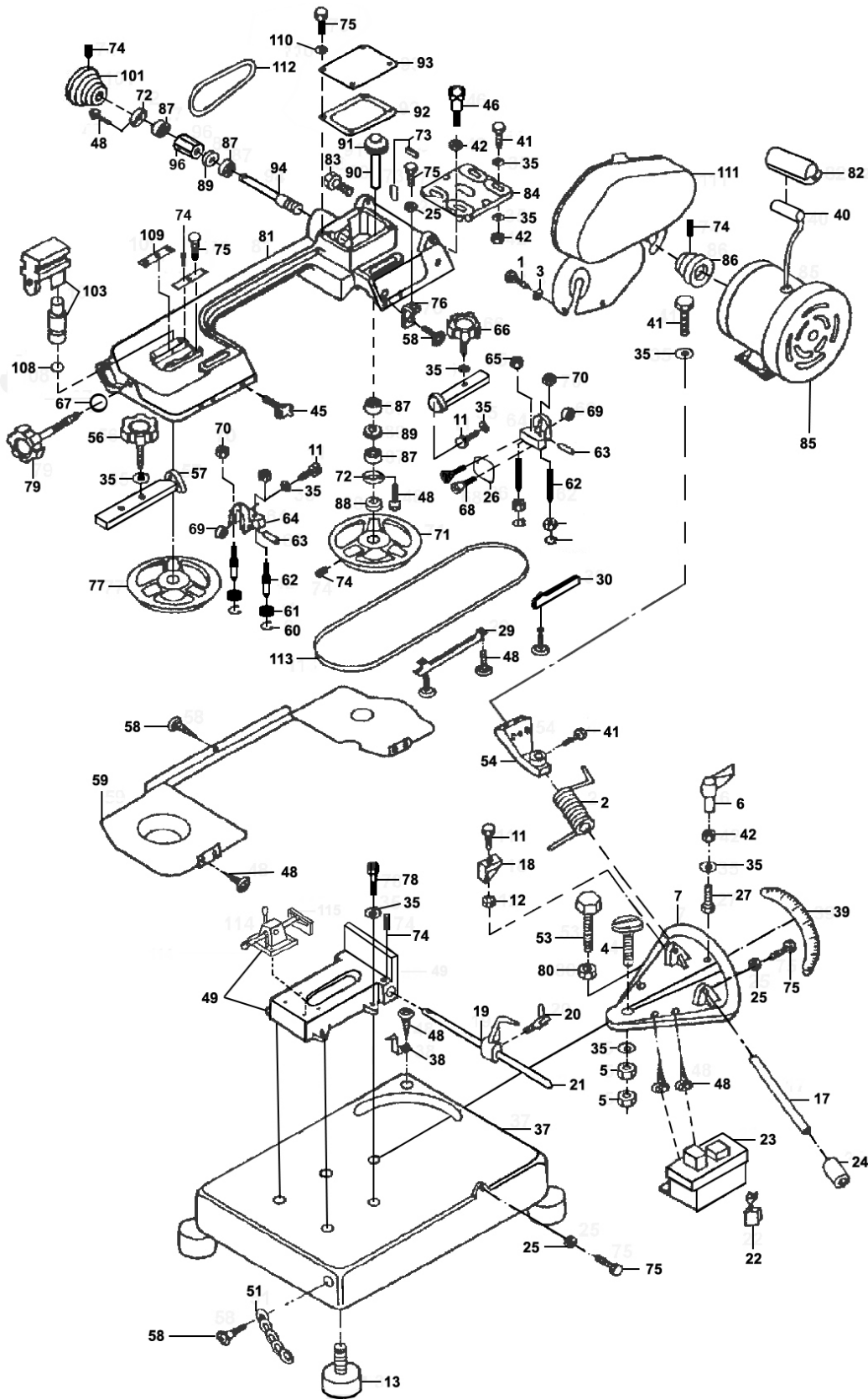


Parts Information:  
**Metal Cutting Bandsaw 150mm 230V with  
 Mitre & Quick Lock Vice**  
**Model No: SM65**



**NOTE:** It is our policy to continually improve products and as such we reserve the right to alter data, specifications and component parts without prior notice.

**IMPORTANT:** No liability is accepted for incorrect use of product. Spare parts must be fitted by a competent person

**WARRANTY:** Guarantee is 12 months from purchase date, proof of which will be required for any claim.



Parts Information:  
**Metal Cutting Bandsaw 150mm 230V with  
Mitre & Quick Lock Vice  
Model No: SM65**

Item	Part No.	Description
1	SM65/01	Screw, Hex Head
2	SM65.V2-039	Spring
3	SM65/03	Washer
4	SM65/04	Bolt
5	SM65/05	Nut
6	SM65/06	Lever, Fixing
7	SM65/07	Plate
11	SM65/11	Screw, Hex Head
12	SM65/12	Nut
13	SM65/13	Pad, Base
17	SM65/17	Rod
18	SM65/18	Plate
19	SM5CE/19	Stock Stop
20	SM5CE/20	Thumb Screw
21	SM5CE/21	Stock Stop Rod
22	SM5CE/22	Cable Clamp
23	SM5CE/23	Magnetic Switch Assembly
24	SM5CE/24	Bush
25	SM65/25	Nut
26	SM65/26	Guard, Blade
27	SM65/27	Hex head screw
29	SM65/29	Cover, Blade, Left
30	SM65/30	Cover, Blade, Right
35	SM65/35	Washer
37	SM65/37	Base
38	SM65/38	Pointer
39	SM65/39	Scale
40	C/150-250	Capacitor,150mfd-250vac 60x35
41	SM65/41	Screw
42	SM5CE/42	Hex Nut
45	SM65/45	Knob
46	SM65/46	Knob
48	SM5CE/48	Screw
49	SM65/49	Base And Vice Ass'y

Item	Part No.	Description
51	SM65/51	Chain
53	SM65/53	Screw, Hex Head
54	SM65/54	Arm
56	SM65/56	Lock, Bracket, Left
57	SM5CE/57	Guide Bracket Left
58	SM65/58	Screw
59	SM65/59	Cover
60	SM5CE/60	Ext Circlip 12.2mm OD.
61	B/629ZZ	Bearing 629zz
62	SM5CE/62	Guide Pivot
63	SM5CE/63	Bearing Shaft Pin
64	SM65/64	Seat, Blade
65	SM5CE/65	Guide Bracket. Right
66	SM65/66	Lock
67	SM65/67	Washer
68	SM65/68	Screw
69	B/608ZZ	Bearing 608zz
70	SM5CE/70	Hex Nut
71	SM5CE/71	Blade Drive Wheel
72	SM5CE/72	Bearing Cover
73	SM65/73	Key
74	SM5CE/74	Set Screw
75	SM5CE/75	Hex Head Screw
76	SM65/76	Tip
77	SM5CE/77	Blade Idle Wheel
78	SM65/78	Screw
79	SM5.V3/79	Blade Tension Adjustable Knob
80	SM65/80	Nut
81	SM65/81	Frame
82	SM65/82	Cover
83	SM5CE/83	Screw
84	SM65/84	Plate, Motor
85	SM65/85	Motor
86	SM5CE/86	Motor Pulley

**NOTE:** It is our policy to continually improve products and as such we reserve the right to alter data, specifications and component parts without prior notice.

**IMPORTANT:** No liability is accepted for incorrect use of product. Spare parts must be fitted by a competent person

**WARRANTY:** Guarantee is 12 months from purchase date, proof of which will be required for any claim.

**Sealey Group**, Kempson Way, Suffolk Business Park, Bury St Edmunds, Suffolk. IP32 7AR



01284 757500



01284 703534



sales@sealey.co.uk



www.sealey.co.uk



Parts Information:  
**Metal Cutting Bandsaw 150mm 230V with  
Mitre & Quick Lock Vice  
Model No: SM65**

Item	Part No.	Description
87	B/6202ZZ	Bearing 6202zz
88	SM65/88	Bushing
89	SM5V3/89	Oil Seal
90	SM65/90	Shaft, Transmission Gear
91	SM65/91	Gear, Transmission
92	SM65/92	Gasket
93	SM65/93	Cover
94	SM65/94	Gear, Worm
96	SM65/96	Bushing
101	SM65/101	Pulley, Gear
103	SM5CE/103	Blade Tension Assembly

Item	Part No.	Description
108	GAS07.41	Ext Circlip 16.8mm OD
109	SM65/109	Plates
110	SM65/110	Washer
111	SM5CE/111	Pulley Guard
112	V/A22	V-belt (id-560) a22
113	SM5/113	Bandsaw Blade 1638 x 13 x 0.63mm 14tpi
--	SM5/113/6	Bandsaw Blade 1638 x 13 x 0.63mm 6tpi (Not Shown)
--	SM5/113/10	Bandsaw Blade 1638 x 13 x 0.63mm 10tpi (Not Shown)
--	SM5/113/24	Bandsaw Blade 1638 x 13 x 0.63mm 24tpi (Not Shown)

**NOTE:** It is our policy to continually improve products and as such we reserve the right to alter data, specifications and component parts without prior notice.

**IMPORTANT:** No liability is accepted for incorrect use of product. Spare parts must be fitted by a competent person

**WARRANTY:** Guarantee is 12 months from purchase date, proof of which will be required for any claim.

**Sealey Group**, Kempson Way, Suffolk Business Park, Bury St Edmunds, Suffolk. IP32 7AR



01284 757500



01284 703534



sales@sealey.co.uk



www.sealey.co.uk