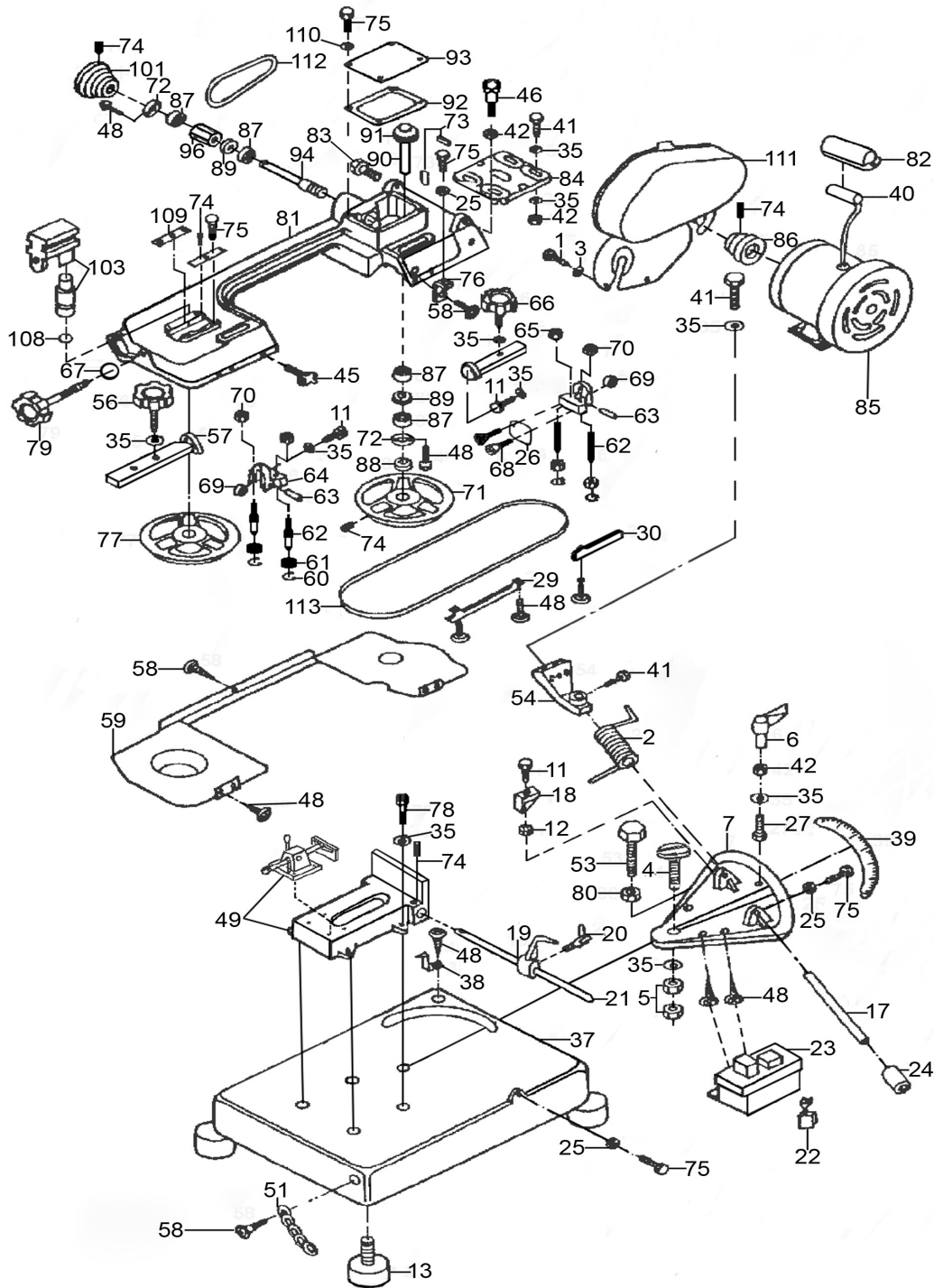


Parts Information:
**Metal Cutting Bandsaw 150mm 230V inc
 Mitre & Quick Lock Vice**
Model No: SM65



Item	Part No.	Description
1	SM65/01	Screw, Hex Head
2	SM65.V2-039	Spring
3	SM65/03	Washer
4	SM65/04	Bolt
5	SM65/05	Nut

Item	Part No.	Description
6	SM65/06	Lever
7	SM65/07	Plate
11	SM65/11	Screw, Hex Head
12	SM65/12	Nut
13	SM65/13	Pad, Base

NOTE: It is our policy to continually improve products and as such we reserve the right to alter data, specifications and component parts without prior notice. There may be alternative versions of this product, please contact us should you require this information.

IMPORTANT: No liability is accepted for incorrect use of product. Spare parts must be fitted by a competent person

WARRANTY: Guarantee is 12 months from purchase date, proof of which will be required for any claim.



Parts Information:
**Metal Cutting Bandsaw 150mm 230V inc
 Mitre & Quick Lock Vice
 Model No: SM65**

Item	Part No.	Description
17	SM65/17	Rod
18	SM65/18	Plate
19	SM5CE/19	Stock Stop
20	SM5CE/20	Thumb Screw
21	SM5CE/21	Stock Stop Rod
22	SM5CE/22	Cable Clamp
23	SM5CE/23	Magnetic Switch Assembly
24	SM5CE/24	Bush
25	SM65/25	Nut
26	SM65/26	Guard, Blade
27	SM65/27	Hex Head Screw (so) (
29	SM65/29	Blade Cover, Left
30	SM65/30	Blade Cover, Right
35	SM65/35	Washer
37	SM65/37	Base
38	SM65/38	Pointer
39	SM65/39	Scale
40	C/150-250	Capacitor
41	SM65/41	Screw
42	SM5CE/42	Hex Nut
45	SM65/45	Knob
46	SM65/46	Knob
48	SM5CE/48	Screw
49	SM65/49	Base and Vice Assembly
51	SM65/51	Chain
53	SM65/53	Screw, Hex Head
54	SM65/54	Arm
56	SM65/56	Bracket Lock, Left
57	SM5CE/57	Guide Bracket, Left
58	SM65/58	Screw
59	SM65/59	Cover
60	SM5CE/60	Circlip
61	B/629ZZ	Bearing
62	SM5CE/62	Guide Pivot
63	SM5CE/63	Pin, Bearing Shaft
64	SM65/64	Seat, Blade
65	SM5CE/65	Guide Bracket, Right
66	SM65/66	Lock
67	SM65/67	Washer
68	SM65/68	Screw
69	B/608ZZ	Bearing

Item	Part No.	Description
70	SM5CE/70	Hex Nut
71	SM5CE/71	Blade Drive Wheel
72	SM5CE/72	Bearing Cover
73	SM65/73	Key
74	SM5CE/74	Set Screw
75	SM5CE/75	Hex Head Screw
76	SM65/76	Tip
77	SM5CE/77	Idle Wheel, Blade
78	SM65/78	Screw
79	SM5V3/79	Knob, Blade Tension Adjust
80	SM65/80	Nut
81	SM65/81	Frame
82	SM65/82	Cover
83	SM5CE/83	Screw
84	SM65/84	Plate, Motor
85	SM65/85	Motor
86	SM5CE/86	Motor Pulley
87	B/6202ZZ	Bearing
88	SM65/88	Bushing
89	SM5V3/89	Oil Seal
90	SM65/90	Shaft, Transmission Gear
91	SM65/91	Transmission Gear
92	SM65/92	Gasket
93	SM65/93	Cover
94	SM65/94	Worm Gear
96	SM65/96	Bushing
101	SM65/101	Pulley, Gear
103	SM5CE/103	Blade Tension Assembly
108	GSA07.41	Circlip
109	SM65/109	Plates
110	SM65/110	Washer
111	SM5CE/111	Pulley Guard
112	V/A22	V-Belt
113	SM5/113	Blade 14TPI
--	SM65/34	Plate (Not Shown)
--	SM65/36	Screw (Not Shown)
--	SM5CE/55	Table, Vertical Cutting (Not Shown)
--	SM5/113/6	Blade 6TPI (Not Shown)
--	SM5/113/10	Blade 10TPI (Not Shown)
--	SM5/113/24	Blade 24TPI (Not Shown)

NOTE: It is our policy to continually improve products and as such we reserve the right to alter data, specifications and component parts without prior notice. There may be alternative versions of this product, please contact us should you require this information.

IMPORTANT: No liability is accepted for incorrect use of product. Spare parts must be fitted by a competent person

WARRANTY: Guarantee is 12 months from purchase date, proof of which will be required for any claim.

Sealey Group, Kempson Way, Suffolk Business Park, Bury St Edmunds, Suffolk. IP32 7AR



01284 757500



01284 703534



sales@sealey.co.uk



www.sealey.co.uk