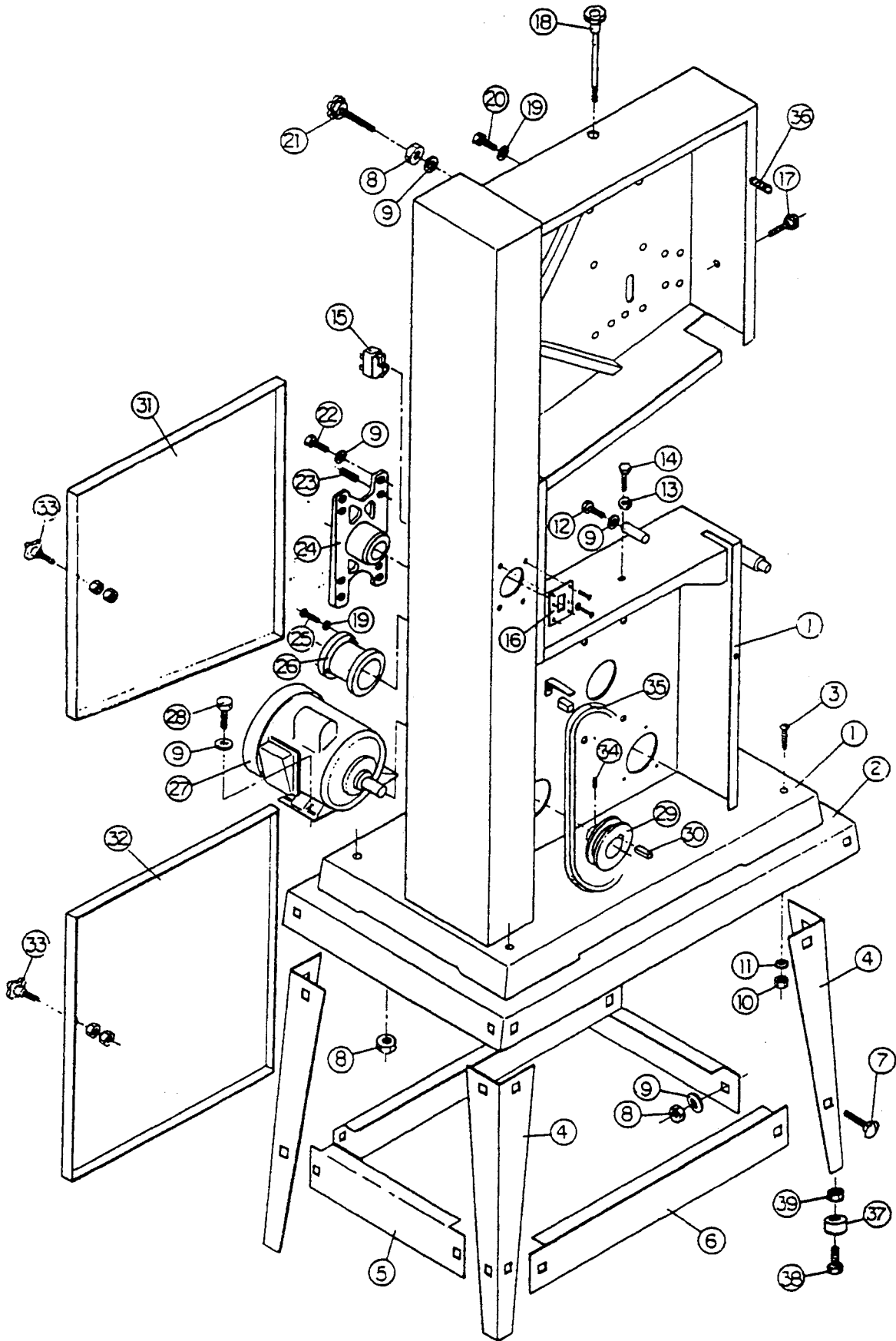
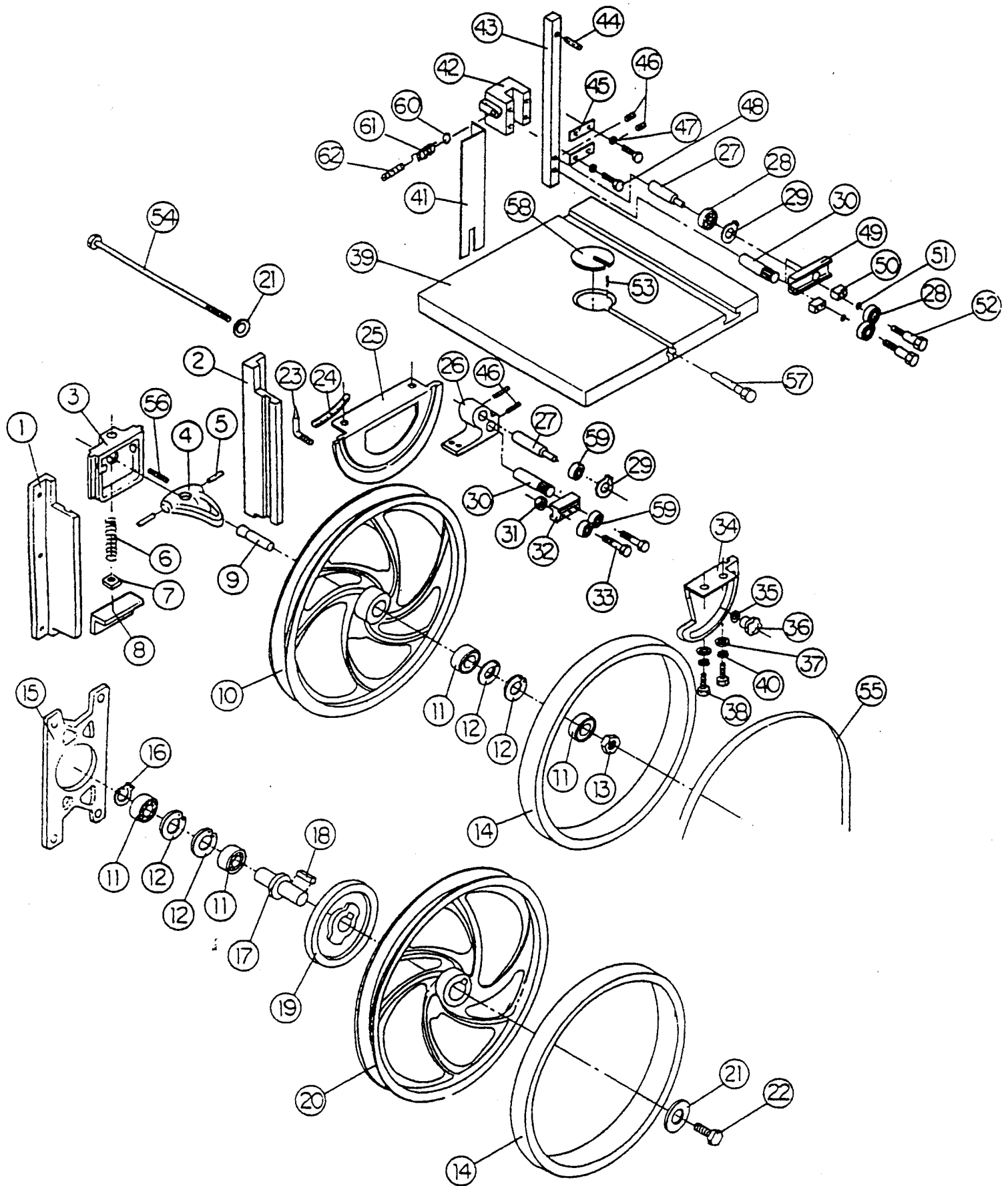


SM60CE DIAGRAM A





SEALEY *Quality*
MACHINERY

SM60CE PARTS LIST - DIAGRAMS A & B

Index no.	Stock Code	DIAGRAM A Description
1	SM60CE/A01	Base and Frame
2	SM60CE/A02	Stand, Top
3	SM60CE/A03	Screw
4	SM60CE/A04	Leg
5	SM60CE/A05	Brace, Side Angle
6	SM60CE/A06	Brace, Front and Rear Angle
7	SM60CE/A07	Bolt
8	SM60CE/A08	Nut
9	B/6000ZZ	Washer
10	SM60CE/A10	Nut
11	SM60CE/A11	Washer
12	SM60CE/A12	Screw
13	SM60CE/A13	Nut
14	SM60CE/A14	Screw
15	SM60CE/A15	Switch
16	SM60CE/A16	Plate, Switch
17	SM60CE/A17	Screw, Lock Knob
18	SM60CE/A18	Screw
19	SM60CE/A19	Washer
20	SM60CE/A20	Screw
21	SM60CE/A21	Screw
22	SM60CE/A22	Screw
23	SM60CE/A23	Screw
24	SM60CE/A24	Housing, Lower Bearing
25	SM60CE/A25	Screw
26	SM60CE/A26	Outlet, Dust
27	SM60CE/A27	Motor
28	SM60CE/A28	Screw
29	SM60CE/A29	Pulley
31	SM60CE/A31	Door, Upper Wheel
32	SM60CE/A32	Door, Lower Wheel
33	SM60CE/A33	Screw
34	SM60CE/A34	Screw
35	V/A27	V-Belt
36	SM60CE/A36	Screw
37	SM60CE/A37	Foot, Rubber Pad
38	SM60CE/A38	Screw
39	SM60CE/A39	Nut
DIAGRAM B		
01	SM60CE/B01	Bracket, Left Upper Housing
02	SM60CE/B02	Bracket, Right Upper Housing
03	SM60CE/B03	Bracket, Upper Mounting Housing
04	SM60CE/B04	Bracket, Wheel Shaft Support
05	SM60CE/B05	Pin, Pivot
06	SM60CE/B06	Spring
07	SM60CE/B07	Nut
08	SM60CE/B08	Bracket, Angle
09	SM60CE/B09	Shaft, Upper Wheel
10	SM60CE/B10	Wheel, Upper
11	B/6202ZZ	Ball Bearing
12	SM60CE/B12	Retaining Ring
13	SM60CE/B13	Nut
14	SM60CE/B14	Tire, Wheel

Index no.	Stock Code	Description
15	SM60CE/B15	Bracket, Inside Lower Mounting
16	SM60CE/B16	Retaining Ring
17	SM60CE/B17	Shaft, Lower Wheel
18	SM60CE/B18	Key
19	SM60CE/B19	Pulley, Driven
20	SM60CE/B20	Wheel, Lower
21	SM60CE/B21	Washer
22	SM60CE/B22	Screw
23	SM60CE/B23	Pointer
24	SM60CE/B24	Scale
25	SM60CE/B25	Trunnion, Rear
26	SM60CE/B26	Bracket, Lower Guide
27	SM60CE/B27	Rod, Bearing Guide
28	B/6000ZZ	Ball Bearing
29	SM60CE/B29	Retaining Ring
30	SM60CE/B30	Rod, Bearing Guide
31	SM60CE/B31	Nut
32	SM60CE/B32	Holder, Lower Blade Guide
33	SM60CE/B33	Screw
34	SM60CE/B34	Trunnion with Slot
35	SM60CE/B35	Washer
36	SM60CE/B36	Knob, Trunnion Adjusting
37	SM60CE/B37	Washer
38	SM60CE/B38	Screw
39	SM60CE/B39	Table
40	SM60CE/B40	Washer
41	SM60CE/B41	Blade Guard
42	SM60CE/B42	Holder, Guide Bar
43	SM60CE/B43	Guide Bar
44	SM60CE/B44	Spring Pin
45	SM60CE/B45	Clamping Plate
46	SM60CE/B46	Set Screw
47	SM60CE/B47	Washer
48	SM60CE/B48	Screw
49	SM60CE/B49	Holder, Upper Blade Guide
50	SM60CE/B50	Mounting Block, Upper Bearing
51	SM60CE/B51	Retaining Washer
52	SM60CE/B52	Screw
53	SM60CE/B53	Pin
54	SM60CE/B54	Trunnion Tension Bolt
55	SM60CE/B55	Blade
56	SM60CE/B56	Set Screw
57	SM60CE/B57	Pin
58	SM60CE/B58	Table Insert
59	B/608Z	Ball Bearing
60	SM60CE/B60	Steel Ball
61	SM60CE/B61	Spring
62	SM60CE/B62	Screw
	SM60CE/BGA-U	Upper Blade Guide Assembly (27-30, 49-52)
	SM60CE/BGA-L	Lower Blade Guide Assembly

