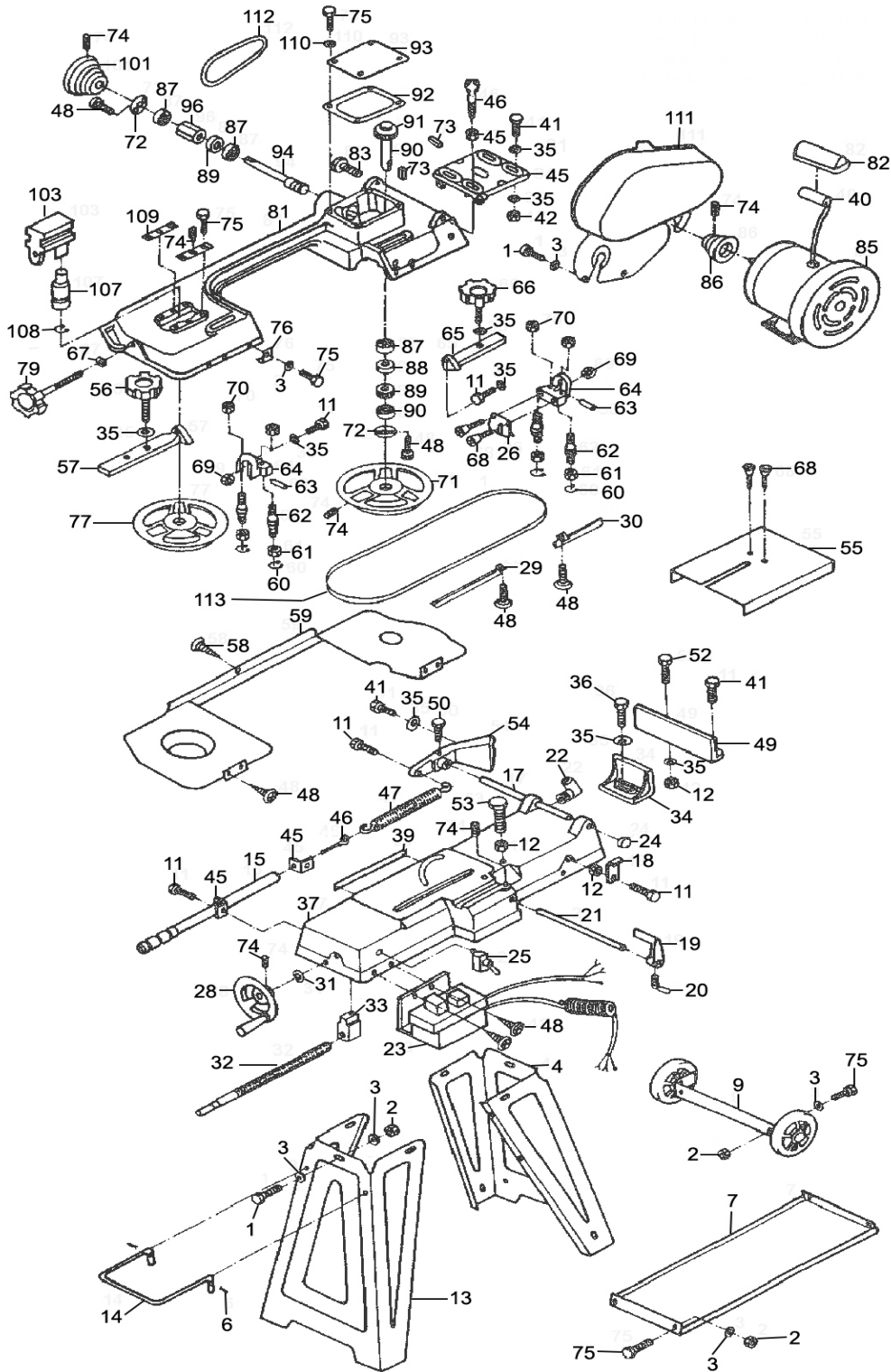


Parts Information:
**Metal Cutting Bandsaw 3-Speed 150mm
 230V
 Model No: SM5**



NOTE: It is our policy to continually improve products and as such we reserve the right to alter data, specifications and component parts without prior notice. There may be alternative versions of this product, please contact us should you require this information.

IMPORTANT: No liability is accepted for incorrect use of product. Spare parts must be fitted by a competent person

WARRANTY: Guarantee is 12 months from purchase date, proof of which will be required for any claim.



Parts Information:
**Metal Cutting Bandsaw 3-Speed 150mm
 230V
 Model No: SM5**

Item	Part No.	Description
1	SM5.V3/11	Hexagon head screw
2	SM5CE/42	Hex nut
3	SM5CE/03	Washer
4	SM5CE/04	Floor stand (Right)
6	SM5CE/06	Cotter Pin
7	SM5CE/07	Shelf
9	SM5CE/09	Wheel & axle asm.
11	SM5CE/11	Hex head Screw
12	SN5CE/12	Hex Nut
13	SM5CE/04	Floor stand (Left)
14	SM5CE/14	Floor stand handle
15	SM5CE/15	Adjusting rod
17	SM5CE/17	Pivot rod
18	SM5CE/18	Support plate
19	SM5CE/19	Stock stop
20	SM5CE/20	Thumb screw
21	SM5CE/21	Stock stop rod
22	SM5CE/22	Cable clamp
23	SM5CE/23	Magnetic switch assembly
24	SM5CE/24	Bush
25	SM5CE/25	On/Off Switch
26	SM5.V3/69	Blade guard
28	SM5CE/28	Hand wheel
29	SM5CE/29	Blade guard. left
30	SM5CE/30	Blade guard. right
31	SM5CE/31	C-ring
32	SM5CE/32	Lead screw
33	SM5CE/33	Vice nut
34	SM5CE/34	Moveable vice plate
35	SM5CE/35	Washer
36	SM5CE/36	Hex. head screw
37	SM5CE/37	Base
39	SM5CE/39	Scale
40	C/150-250	Capacitor,150mfd-250vac 60x35
41	SM5CE/41	Hex. head screw
42	SM5CE/42	Hex nut
45	SM5CE/45	Nut plates
46	SM5.V3/46	Spring adjusting screw
47	SM5CE/47	Spring
48	SM5CE/48	Screw

Item	Part No.	Description
49	SM5CE/49	Vice plate
50	SM5CE/50	Hex head screw
52	SM5CE/52	Hex head screw
53	SM5CE/53	Hex head screw
54	SM5CE/54	Pivot
55	SM5CE/55	Table, vertical cutting
56	SM5CE/56	Lock screw left
57	SM5CE/57	Guide bracket left
58	SM5CE/58	Screw
59	SM5CE/59	Blade cover
60	SM5CE/60	Ext Circlip 12.2mm OD.
61	B/6000ZZ	Bearing 6000zz
62	SM5CE/62	Guide pivot
63	SM5CE/63	Bearing shaft pin
64	SM5CE/64	Blade seat
65	SM5CE/65	Guide bracket. right
66	SM5CE/66	Lock screw. right
67	SM5CE/67	Washer
68	SM5CE/68	Screw
69	B/608ZZ	Bearing 608zz
70	SM5CE/70	Hex nut
71	SM5CE/71	Blade drive wheel
72	SM5CE/72	Bearing cover
73	SM5CE/73	Key
74	SM5CE/74	Set screw
75	SM5CE/75	Hex head screw
76	SM5CE/76	Switch cut-off tip
77	SM5CE/77	Blade idle wheel
79	SM5.V3/79	Blade tension adjustable knob
81	SM5CE/81	Body frame
82	SM5CE/82	Capacitor cover
83	SM5CE/83	Screw
84	SM5CE/84	Motor plate
85	SM5CE/85	Motor
86	SM5CE/86	Motor pulley
87	B/620ZZ	Bearing B/620zz
88	SM5CE/88	Bush
89	SM5.V3/89	Oil seal
90	SM5CE/90A	Trasmission gear+shaft

NOTE: It is our policy to continually improve products and as such we reserve the right to alter data, specifications and component parts without prior notice. There may be alternative versions of this product, please contact us should you require this information.

IMPORTANT: No liability is accepted for incorrect use of product. Spare parts must be fitted by a competent person

WARRANTY: Guarantee is 12 months from purchase date, proof of which will be required for any claim.

Sealey Group, Kempson Way, Suffolk Business Park, Bury St Edmunds, Suffolk. IP32 7AR



01284 757500



01284 703534



sales@sealey.co.uk



www.sealey.co.uk



Parts Information:
**Metal Cutting Bandsaw 3-Speed 150mm
230V
Model No: SM5**

Item	Part No.	Description
91	SM5CE/91	Transmission gear
92	SM5CE/92	Gasket. gearbox
93	SM5CE/93	Cover. gearbox
94	SM5CE/94	Worm gear
96	SM5CE/96	Bush
101	SM5CE/101	Worm gear pulley
103	SM5CE/103	Blade tension assembly
107	SM5CE/107	Wheel Shaft
108	SM5CE/108	C-ring
109	SM5V3/109	Blade tension sliding guides

Item	Part No.	Description
110	SM5CE/110	Spring washers
111	SM5CE/111	Pulley guard
112	V/A22	V-Belt
113	SM5/113	Bandsaw Blade 1638 x 13 x 0.63mm 14tpi
--	SM5/113/6	Bandsaw Blade 1638 x 13 x 0.63mm 6tpi (Not Shown)
--	SM5/113/10	Bandsaw Blade 1638 x 13 x 0.63mm 10tpi (Not Shown)
--	SM5/113/24	Bandsaw Blade 1638 x 13 x 0.63mm 24tpii (Not Shown)

NOTE: It is our policy to continually improve products and as such we reserve the right to alter data, specifications and component parts without prior notice. There may be alternative versions of this product, please contact us should you require this information.

IMPORTANT: No liability is accepted for incorrect use of product. Spare parts must be fitted by a competent person

WARRANTY: Guarantee is 12 months from purchase date, proof of which will be required for any claim.

Sealey Group, Kempson Way, Suffolk Business Park, Bury St Edmunds, Suffolk. IP32 7AR



01284 757500



01284 703534



sales@sealey.co.uk



www.sealey.co.uk