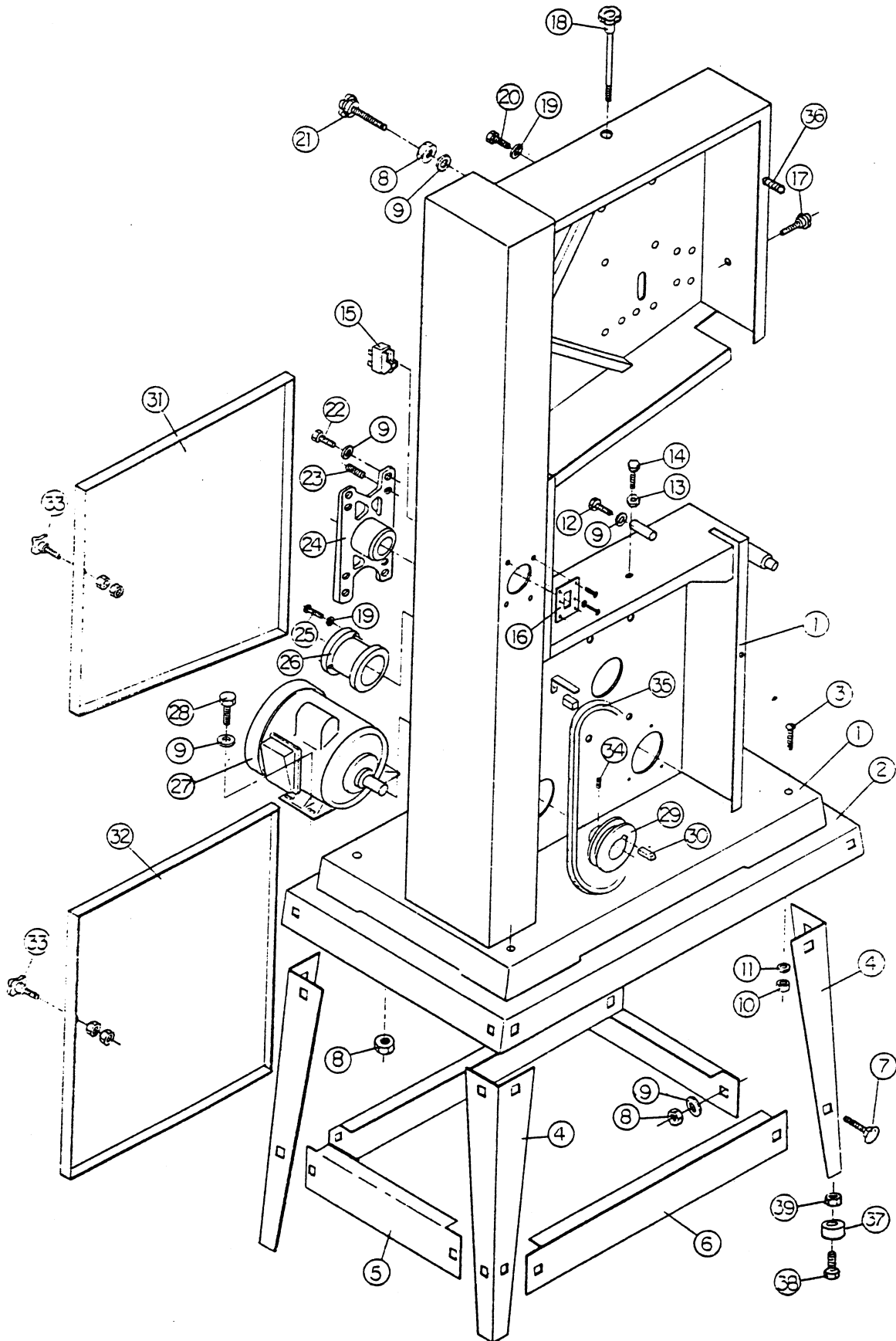
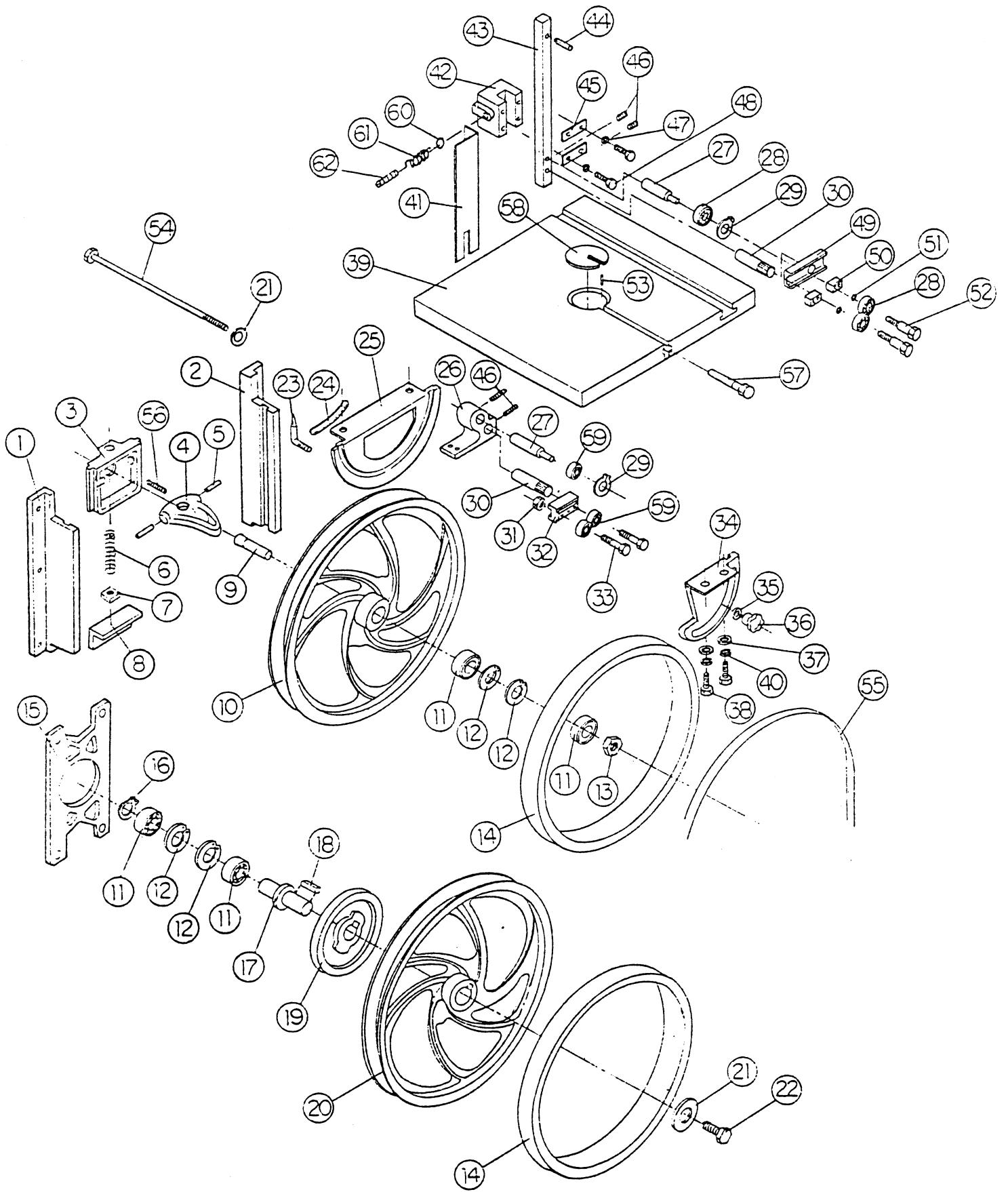


SM59 PARTS DIAGRAM



ITEM NO.	DESCRIPTION
1	BASE AND FRAME, WELDED
2	TOP, STAND
3	SCREW
4	LEG
5	BRACE, SIDE ANGLE
6	BRACE, FRONT AND REAR ANGLE
7	BOLT, CAP HD. SQ. SHOULDER
8	NUT, HEX
9	WASHER,
10	NUT, HEX
11	WASHER,
12	SCREW,
13	NUT, HEX.
14	SCREW, HEX. HD.
15	SWITCH
16	PLATE, SWITCH
17	SCREW, LOCK KNOB
18	SCREW, TENSION "
19	WASHER,
20	SCREW, HEX. HD.
21	SCREW, TILT .
22	SCREW, HEX. HD.
23	SCREW, ADJUSTING
24	HOUSING, LOWER BEARING
25	SCREW, ROUND HD.
26	OUTLET, DUST
27	MOTOR
28	SCREW, HEX HD.
29	PULLEY,
30	KEY
31	DOOR, UPPER WHEEL
32	DOOR, LOWER WHEEL
33	SCREW, LOCK KNOB
34	SCREW, SET
35	V-BELT
36	SCREW, HEX. HD.
37	FOOT, RUBBER PAD
38	SCREW, HEX. HD.
39	NUT, HEX.



ITEM NO.	DESCRIPTION
1	LEFT BRACKET, UPPER HOUSING
2	RIGHT, BRACKET, UPPER HOUSING
3	BRACKET, UPPER MOUNT HOUSING
4	BRACKET, UPPER WHEEL SHAFT SUPPORT
5	PIN, PIVOT
6	SPRING
7	NUT, SQ. TENSION ADJUSTING
8	BRACKET, ANGLE
9	SHAFT, UPPER WHEEL
10	WHEEL, UPPER
11	BEARING,
12	RING, RETAINING,
13	NUT, HEX.
14	TIRE, WHEEL
15	BRACKET, INSIDE LOWER MOUNTING
16	RING, RETAINING,
17	SHAFT, LOWER WHEEL
18	KEY,
19	PULLEY, DRIVEN
20	WHEEL, LOWER
21	WASHER,
22	SCREW, HEX. HD.
23	POINTER
24	SCALE
25	TRUNNION, REAR
26	BRACKET, LOWER GUIDE
27	ROD, BEARING GUIDE
28	BEARING, BALL
29	RING, RETAINING,
30	ROD, BEARING GUIDE
31	NUT, HEX.
32	HOLDER, LOWER BLADE GUIDE
33	SCREW, HEX. HD.
34	TRUNNION W/SLOT

ITEM NO.	DESCRIPTION
35	WASHER
36	KNOB, TRUNNION ADJUSTING
37	WASHER,
38	SCREW, HEX. HD.
39	TABLE, BAND SAW
40	WASHER, LOCK
41	GUARD, BLADE
42	HOLDER, GUIDE BAR
43	BAR, GUIDE
44	PIN, SPRING
45	PLATE, CLAMPING
46	SET SCREW
47	WASHER,
48	SCREW, HEX. HD.
49	HOLDER, UPPER BLADE GUIDE
50	BLOCK, MOUNTING, UPPER BEARING
51	WASHER, RETAINING,
52	SCREW, HEX. HD.
53	PIN
54	BOLT, TRUNNION TENSION
55	BLADE
56	SET SCREW
57	PIN, TAPERED
58	INSERT, TABLE
59	BEARING, BALL
60	BALL, STEEL
61	SPRING
62	SCREW, SET