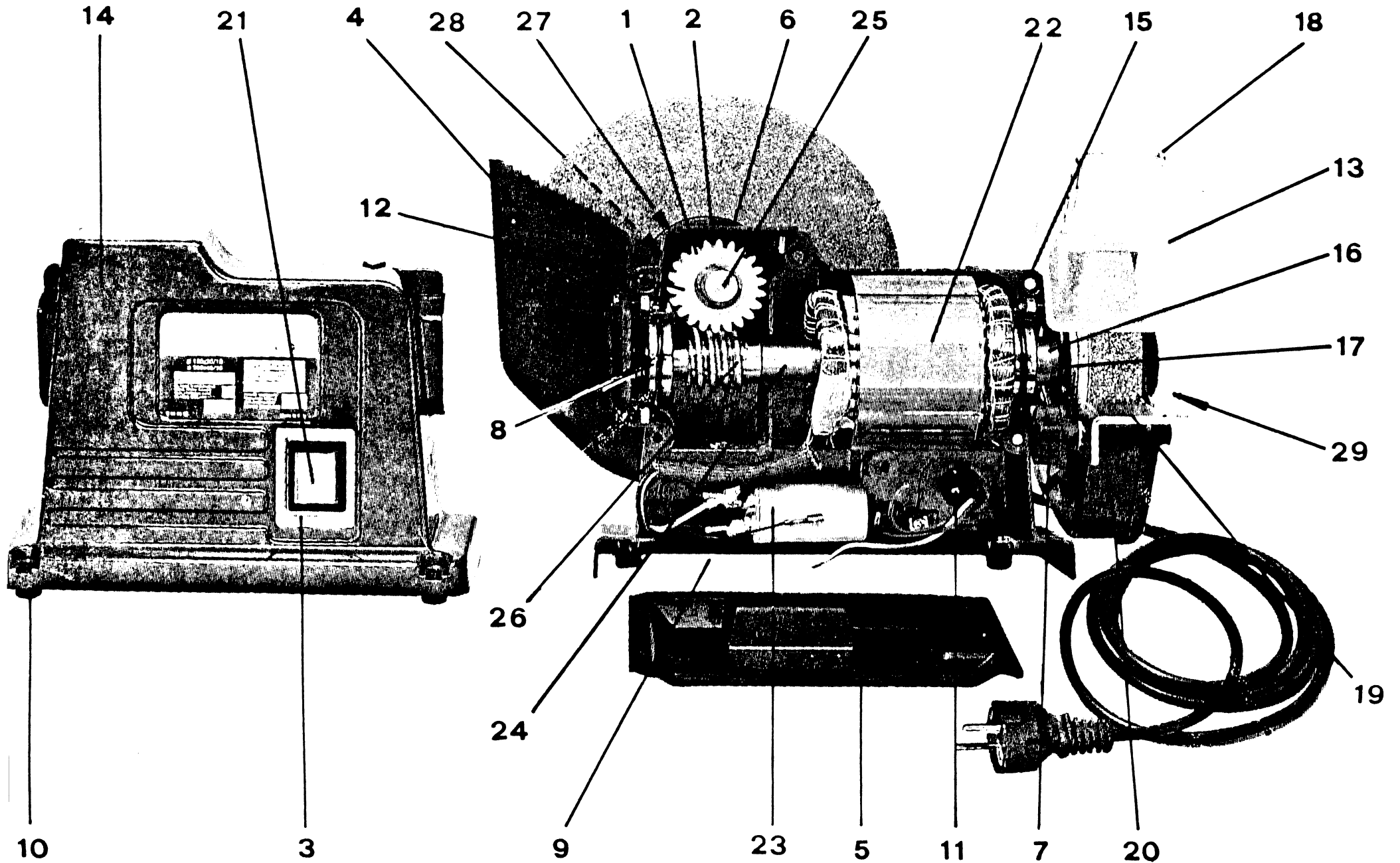


SM51 PARTS DIAGRAM



SM51 PARTS LIST

| <u>ILLUSTRATION NO.</u> | <u>PART NUMBER</u> | <u>DESCRIPTION</u> |
|-------------------------|--------------------|------------------------------|
| 1 | 123/3150095 | BUSH |
| 2 | 123/3150165 | FLANGE |
| 3 | 123/3150191 | GUARD |
| 4 | 123/3150192 | TRAY |
| 5 | 123/3150196 | BOTTOM TRAY |
| 6 | 123/3150199 | COVER |
| 7 | 123/3200028 | HAND WHEEL |
| 8 | 123/3250547 | O-RING |
| 9 | 123/3300004 | CAP |
| 10 | 123/3300056 | FOOT |
| 11 | 123/3300065 | CABLE CLAMP |
| 12 | 123/3600005 | GEAR WHEEL |
| 13 | 123/3650005 | EYESHIELD |
| 14 | 123/5030046 | FRONT CASING |
| 15 | 123/5030048 | REAR CASING |
| 16 | 123/5031002 | SPACER |
| 17 | 123/5050002 | FLANGE |
| 18 | 123/5050014 | EYESHIELD SUPPORT |
| 19 | 123/5050071 | TOOL REST |
| 20 | 123/5000254 | WHEEL CASING |
| 21 | 123/7400014 | SWITCH |
| 22 | 123/7357008 | STATOR |
| 23 | 123/7450002 | CAPACITOR |
| 24 | 123/7357326 | ARBOUR |
| 25 | 123/5130072 | ARBOUR |
| 26 | 123/5172008 | SCREW |
| 27 | 123/5209510 | WHEEL |
| 28 | 123/5500046 | NUT, M12x1.25 RH |
| 29 | 123/5500548 | NUT, M12x1.5 RH |
| | 123/1464512 | NUT SP. NUT 200 x 40 x 20 mm |
| | 123/1464509 | DRY WHEEL 150 x 20 x 16 mm |

