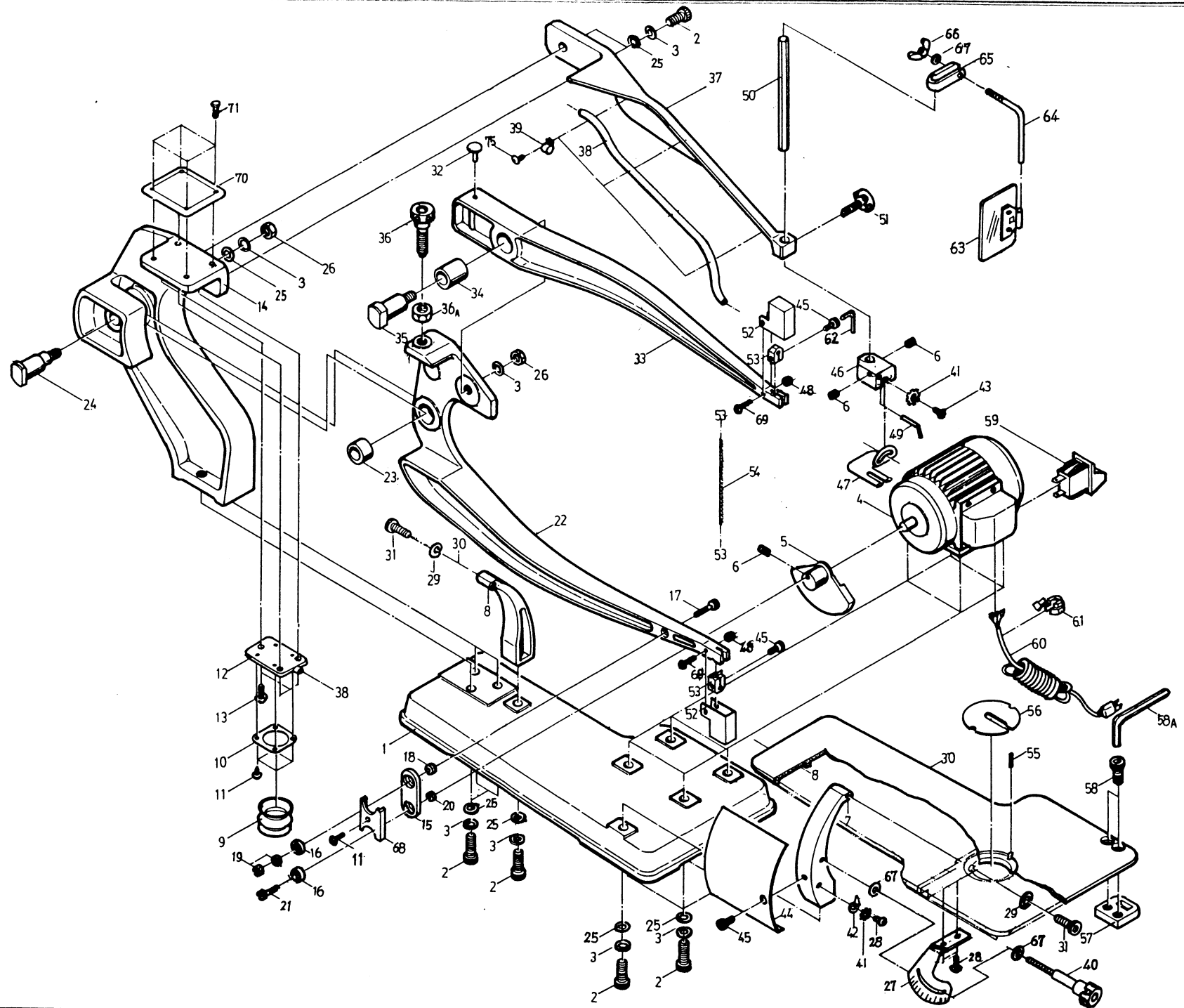


SM45 PARTS DIAGRAM



PARTS LIST

Key No.	Name	Size	Q'ty	Key No.	Name	Size	Q'ty
1.	Base		1	53	Chuck		2
2	Int. Hex. sinking head screw	M8x1.25-25	12	54	Saw blade	L = 5"	3
3	Spring Washer	∅ 5/16"	14			L = 5"	2
4	Motor 1/8 HP		1	55	Pin		2
5	Pendulum		1	56	Table insert		1
6	Thrust screw	M6x1-12	3	57	Combination plate		1
7	Front strut		1	58	Cap screw	M6x1-16	3
8	Back strut		1	58A	Hex. spanner	5mm	1
9	Air bellow		1	59	Switch		1
10	Anchor plate		1	60	Coil	3C/18AWG	1
11	Self-tapping screw	M3-6	5	61	Wire anchor fastener	6P 3-4	1
12	Wind pressure plate		1	62	Hex. spanner	3mm	1
13	Round head screw	M4x0.7-15	3	63	Goggle set		1
14	Segmental seat		1	64	Goggle support rod		1
15	Connecting rod		1	65	Support rod chuck	39x	1
16	Bearing	625	2	66	Thumb nu t	1/4"	1
17	Int. Hex. sinking head screw	M5x0.8-25	1	67	Washer	∅ 1/4"	4
18	Too chamber dummy ring		1	68	Connecting rod cover	35x24x1	1
19	Hex. nut	M5x0.8	2	69	Rd. Hd. Scr.	M3x20	2
20	Lower chamber dummy ring		1	70	Label		1
21	Int. Hex. sinking head screw	M5x0.8-20	1	71	Rivet	M2-4	4
22	Lower arm		1	75	Round head screw	M4x0.7-10	3
23	Arbor bush		1				
24	Arbor bolt		1				
25	Washer	∅ 8- ∅ 23	13				
26	Int. loose-proof nut	M8x1.25	1				
27	Graduation dial		1				
28	Round head screw	M5-10	3				
29	Tooth form washer	∅ 6	2				
30	Bench		1				
31	Int. Hex. sinking head screw	M6x1-35	2				
32	Stop plug		1				
33	Upper arm		1				
34	Fuicrum bush		1				
35	Fuicrum bolt		1				
36	Knob bolt	M 10-50	1				
36A	Hex. nut	M10	1				
37	Supported beam		1				
38	Wind pipe	∅ 6	1				
39	Pipe clamp	ACC-2	3				
40	Knob screw		1				
41	Star washer	∅ 1/4	2				
42	Point		1				
43	Int. Hex. head screw	M5x0.8-10	2				
44	Partition		1				
45	Cap screw	M4x0.7-8	3				
46	Regulator		1				
47	Hold down foot		1				
48	Hex. Nut	M3	2				
49	Nozzle		1				
50	Supported stick		1				
51	Knob screw	M6	1				
52	Chuck guard		2				