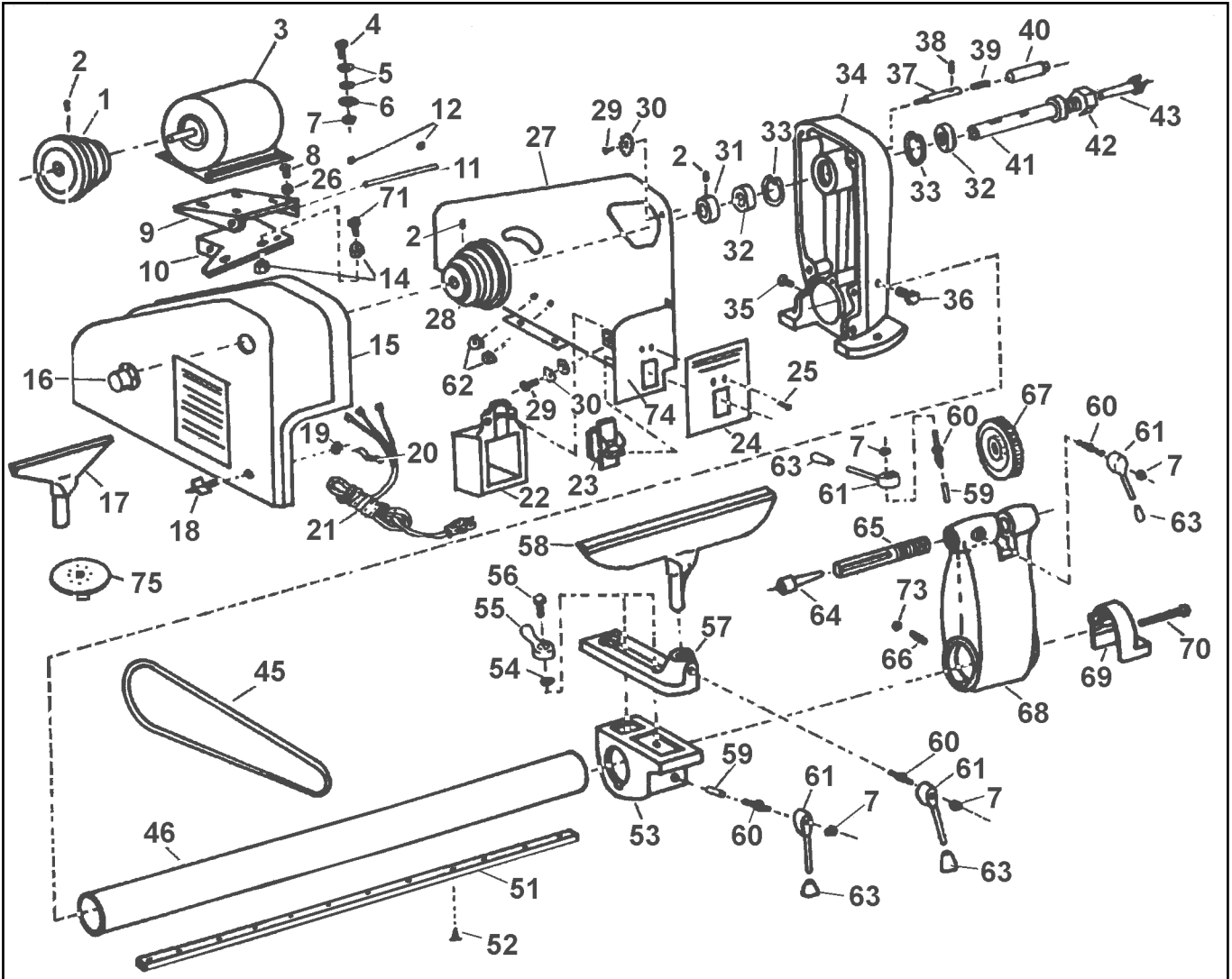




Sole UK Distributor,
Sealey Group,
 Bury St. Edmunds,
 Suffolk.

PARTS LIST FOR:
5-SPEED ROUND BED WOOD LATHE
 Model: **SM42/C**



ITEM	PART NO.	DESCRIPTION
1	SM42C/01	PULLEY MOTOR
2	SM42C/02	SCREW HEX M6X10
3	SM42C/03	MOTOR
4	SM42C/04	SCREW HEX HD M8X15
5	SM42C/05	WASHER, 8 PLAIN FLAT
6	SM42C/06	LOCKWASHER 8 EX TOOTH
7	SM42C/07	NUT M8
8	SM42C/08	BOLT M8X30 HEX HD
9	SM42C/09	BRACKET-MOTOR MOUNT
10	SM42C/10	BRACKET - HINGE
11	SM42C/11	PIN - HINGE
12	SM42C/12	RING
14	SM42C/14	NUT M8
15	SM42C/15	COVER - BELT GUARD
16	SM42C/16	CAP, SPINDLE END
17	SM42C/17	REST 6 IN. TOOL
18	SM42C/18	KNOB, COVER LOCK
19	SM42C/19	RING, SNAP
20	SM42C/20	CLAMP, WIRE
21	SM42C/21	CORD, POWER W/PLUG
22	SM42C/22	BOX, ELECTRICAL TERMINAL
23	SM42C/23	NVR SWITCH
24	SM42C/24	NAME PLATE
25	SM42C/25	SCREW, SELF TAPPING

ITEM	PART NO.	DESCRIPTION
26	SM42C/26	NUT M8
27	SM42C/27	PLATE, BELT GUARD
28	SM42C/28	PULLEY, SPINDLE DRIVE
29	SM42C/29	SCREW, M6X10
30	SM42C/30	LOCKWASHER - 6
31	SM42C/31	COLLAR
32	SM42C/32	BEARING. BALL
33	SM42C/33	CIRCLIP
34	SM42C/34	HEADSTOCK
35	SM42C/35	SCREW, M6X12
36	SM42C/36	BOLT M8X28
37	SM42C/37	PLUNGER
38	SM42C/38	PIN
39	SM42C/39	SPRING
40	SM42C/40	HOUSING, PLUNGER
41	SM42C/41	SPINDLE, HEADSTOCK
42	SM42C/42	NUT 3/4 16HEX
43	SM42C/43	CENTER, 1MT SPUR
45	SM42C/45	BELT 1/2X37
46	SM42C/46A	TUBE
51	SM42C/51A	KEYWAY
52	SM42C/52	SCREW
53	SM42C/53	SUPPORT, TOOL REST
54	SM42C/54	WASHER, TOOL REST

ITEM	PART NO.	DESCRIPTION
55	SM42C/55	HANDLE, WRENCH
56	SM42C/56	BOLT, M8 HEX HD
57	SM42C/57	HOLDER, TOOL REST
58	SM42C/58	REST 12" TOOL
59	SM42C/59	SHOE, LOCK
60	SM42C/60	NUT, STUD
61	SM42C/61	LEVER ASSEM, LOCK
62	SM42C/62	BUSHING
63	SM42C/63	GRIP
64	SM42C/64	CENTRE, 1 MT BB CUP
65	SM42C/65	SPINDLE, TAILSTOCK
66	SM42C/66	SCREW, SLOTTED M8X35
67	SM42C/67	HANDWHEEL
68	SM42C/68	TAILSTOCK
69	SM42C/69	FOOT
70	SM42C/70	BOLT-BED CLAMPING
71	SM42C/71	BOLT M6X10
73	SM42C/73	NUT. M8
74	SM42C/74	NAME PLATE MOUNTED
75	SM42C/75	FACEPLATE, 4" (R.H. Thrd)

Original Date: 081299
 Issue No: 2
 Date Modified: 170401

01284 757500

01284 703534

E-mail: sales@sealey.co.uk