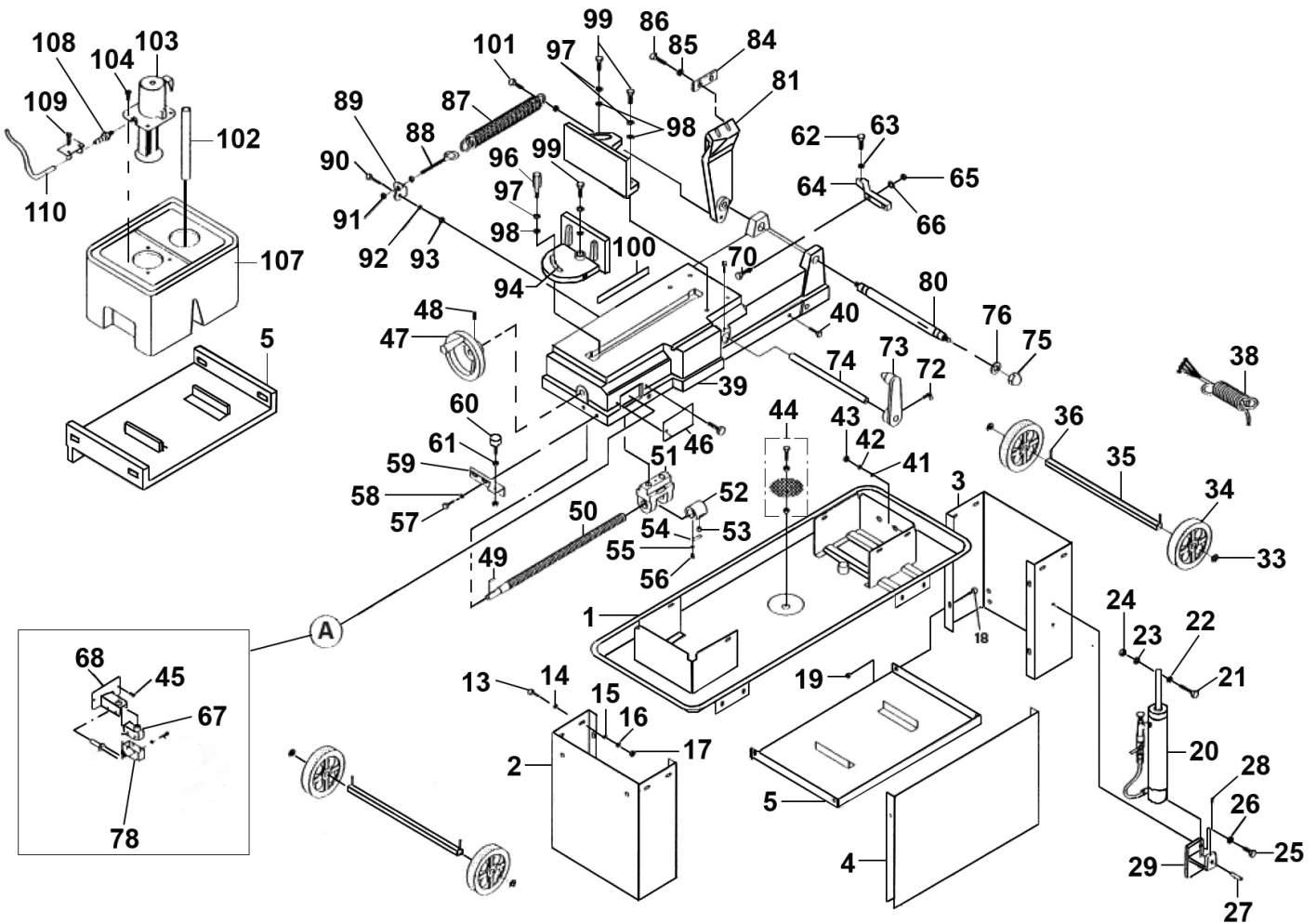


Parts Information:  
**Bandsaw 300mm Horizontal Hydraulic  
 Arm**  
**Model No: SM35CE.V3**



Item	Part No.	Description
1	SM35H/001	Pan
2	SM35H/002	Leg, Left
3	SM35H/003	Leg, Right
4	SM35H/004	Skirt
5	SM35H/005	Shelf
13	SM35H/013	Screw, Hex Head 5/16" x 3/4"
14	SM35H/014	Spring Washer 5/16"
15	SM35H/015	Washer 5/16"
16	SM35H/016	Spring Washer 5/16"
17	SM35H/017	Nut 5/16"
19	SM35H/019	Nut 5/16"
20	SM35H/020	Cylinder, Arm Lifting
21	SM35H/021	Screw, Hex Socket M10 x 40mm
22	SM35H/022	Washer 3/8"
23	SM35H/023	Spring Washer 3/8"
24	SN10.S	Steel Nut M10

Item	Part No.	Description
25	SM35H/025	Screw, Hex Head 3/8" x 1"
26	SM35H/026	Spring Washer 3/8"
27	SM35H/027	Rod, Support
28	SM35H/028	Screw
29	SM35H/029	Support, Bottom
33	SM35H/033	Washer
34	SM35H/034	Wheel
35	SM35H/035	Shaft, Wheel
36	SM35H/036	Cotter Pin
38	SM35H/038	Power Cord Assembly
39	SM35H/039	Table
40	SM35H/040	Screw, Hex Head 5/16" x 1"
41	SM35H/041	Washer 5/16"
42	SM35H/042	Spring Washer 5/16"
43	SM35H/043	Nut 5/16"
43	SM35H/043	Nut 5/16"

**NOTE:** It is our policy to continually improve products and as such we reserve the right to alter data, specifications and component parts without prior notice. There may be alternative versions of this product, please contact us should you require this information.

**IMPORTANT:** No liability is accepted for incorrect use of product. Spare parts must be fitted by a competent person

**WARRANTY:** Guarantee is 12 months from purchase date, proof of which will be required for any claim.



Parts Information:  
**Bandsaw 300mm Horizontal Hydraulic  
Arm**  
**Model No: SM35CE.V3**

Item	Part No.	Description
44	SM35H/044	Filter
45	SM35H/045	Screw, Hex Head 3/16"x 3/8"
46	SM35H/046	Cover
47	SM35H/047	Hand Wheel, Vice
48	SM35H/048	Screw, Hex Head 5/16" x 1/2"
49	SM35H/049	Key
50	SM35H/050	Lead Screw
51	SM35H/051	Seat, Nut
52	SM35H/052	Nut, Acme Thread
53	SM35H/053	Button
54	SM35H/054	Retainer
55	SWM5.SB	Spring Washer M5 Black
56	MSP58.S	Machine Screw Pan Head Phillips M5 x 8mm
57	SM35H/057	Screw, Hex Head 5/16" x 3/4"
58	SM35H/058	Spring Washer 5/16"
59	SM35H/059	Plate
60	SM35H/060	Screw
61	SM35H/061	Nut 5/16"
62	SM35H/062	Screw, Hex Head 3/8" x 1-1/4"
63	SM35H/063	Nut 3/8"
64	SM35H/064	Support, 90°
65	SM35H/065	Nut 3/8"
66	SM35H/066	Spring Washer 3/8"
67	SM35H/067	Cut Off Switch
68	SM35CE/068	Plate, Limit Switch
70	SM35H/070	Screw, Hex Head 3/8" x 1-1/2"
72	SM35H/072	Screw, Thumb
73	SM35H/073	Stop Block
74	SM35H/074	Rod
75	SM35H/075	Nut 1/2"
76	SM35H/076	Washer 1/2"

Item	Part No.	Description
78	SM35CE/078	Cover, Limit Switch
80	SM35H/080	Shaft, Support
81	SM35H/081	Pivot Arm
84	SM35H/084	Washer 3/8"
85	SM35H/085	Spring Washer
86	SM35H/086	Screw, Hex Head 3/8" x 1-1/2"
87	SM35/091	Spring
88	SM35H/088	Rod, Spring Adjust
89	SM35H/089	Bracket
90	SM35H/090	Screw, Hex Head 5/16" x 1-1/4"
91	SM35H/091	Nut 5/16"
92	SM35H/092	Spring Washer 5/16"
93	SM35H/093	Nut 5/16"
94	SM35H/094	Vice, Front
96	SM35H/096	Screw, Hex head 3/8" x 1-1/4"
97	SM35H/097	Spring Washer
98	SM35H/098	Washer
99	SM35H/099	Screw
100	SM35H/100	Scale
101	SM35H/101	Screw, Hex Head 1/4" x 1-1/2"
102	SM35H/102	Hose
103	SM35H/103	Pump, Coolant
104	SM35H/104	Screw, Hex Head 1/4" x 5/8"
107	SM35CE/107	Coolant Tank
108	SM35H/108	Fitting, Hose
109	SM35H/109	Clamp
110	SM35H/110	Hose
--	SM35H/012	Box, Electrical (Not Shown)
--	SM35H/018	Screw, Hex Head 5/16" x 1/2" (Not Shown)
--	SM35H/071	Screw (Not Shown)
--	SM35H/095	Vice, Rear (Not Shown)

**NOTE:** It is our policy to continually improve products and as such we reserve the right to alter data, specifications and component parts without prior notice. There may be alternative versions of this product, please contact us should you require this information.

**IMPORTANT:** No liability is accepted for incorrect use of product. Spare parts must be fitted by a competent person

**WARRANTY:** Guarantee is 12 months from purchase date, proof of which will be required for any claim.

**Sealey Group**, Kempson Way, Suffolk Business Park, Bury St Edmunds, Suffolk. IP32 7AR



01284 757500



01284 703534

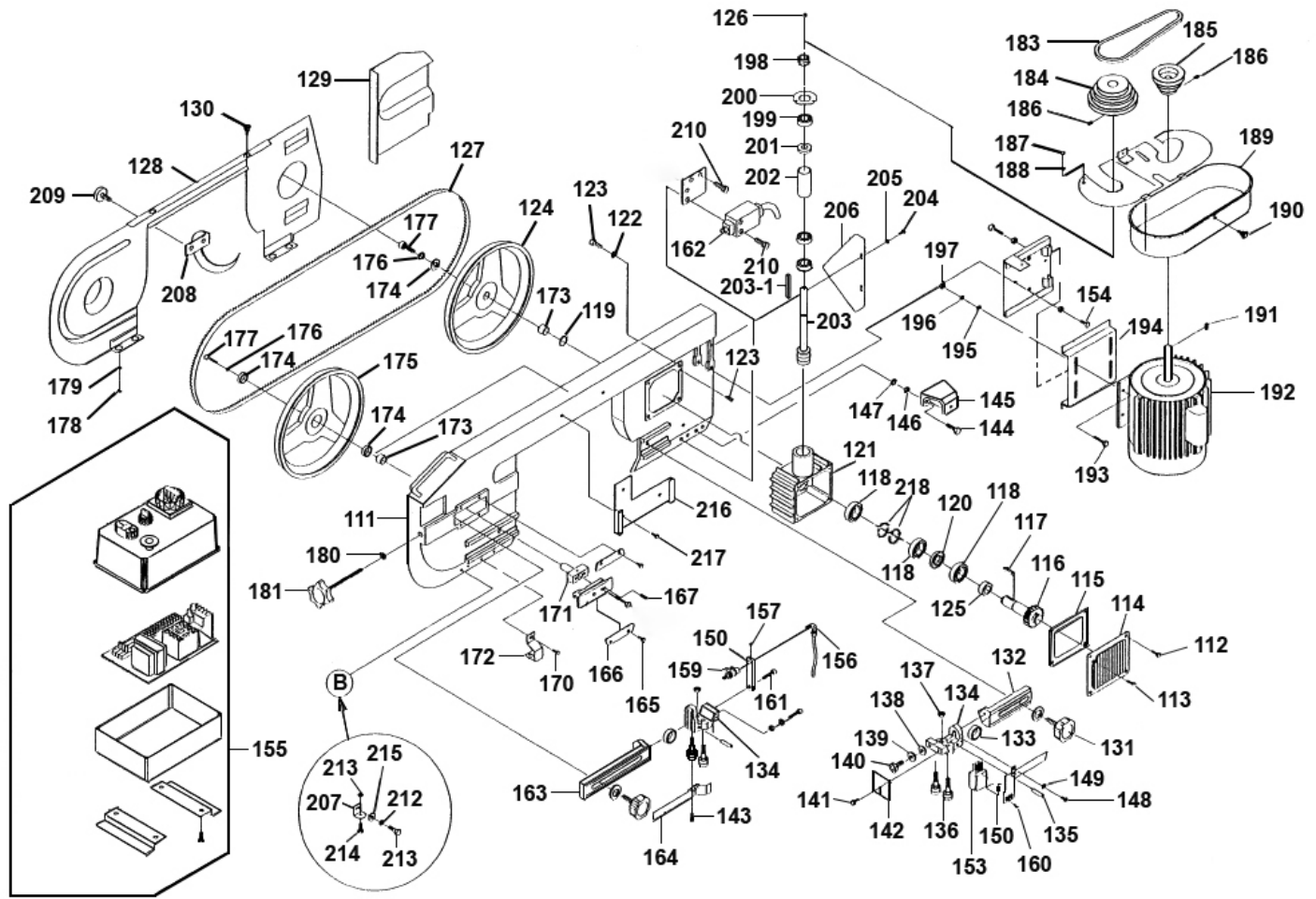


sales@sealey.co.uk



www.sealey.co.uk

## Parts Information: Bandsaw 300mm Horizontal Hydraulic Arm Model No: SM35CE.V3



Item	Part No.	Description
111	SM35H/111	Bow, Saw
112	SM35H/112	Screw, Hex Head 1/4" x 5/8"
113	SM35H/113	Plug
114	SM35H/114	Cover, Gear Box
115	SM35H/115	Gasket, Gear Box
116	SM35CE/116	Gear, Worm
117	SM35H/117	Woodruff Key
118	B/6005	Bearing
119	SA701.V2-03	Circlip
120	SM35H/120	Oil Seal
121	SM35H/121	Gear Box
122	SM35H/122	Spring Washer 5/16"
123	SM35H/123	Screw, Hex Head 5/16" x 1"
124	SM35CE/124	Blade Wheel, Rear
125	SM35H/125	Washer
126	SM35H/126	Screw

Item	Part No.	Description
127	SM35/B04	Bandsaw Blade 4TPI
128	SM35H/128	Blade Cover, Rear
129	SM35H/129	Cover
130	SM35H/130	Thumb Screw
131	SM35H/131	Knob, Guide Adjust
132	SM35H/132	Adjustable Bracket, Rear
133	B/608ZZ	Bearing
134	SM35H/134	Blade Seat, Adjustable
135	SM35H/135	Pin, Bearing
136	SM35H/136	Shaft, Eccentric
137	SN38.UNFB	Nut, 3/8" x 24 UNF
138	SM35H/138	Washer
139	SM35H/139	Washer
140	SM35CE/140	Screw, Hex Socket 5/16" x 1-1/8"
141	SM35H/141	Screw 1/4" x 3/8"
142	SM35H/142	Vertical Cutting Plate, Small

**NOTE:** It is our policy to continually improve products and as such we reserve the right to alter data, specifications and component parts without prior notice. There may be alternative versions of this product, please contact us should you require this information.

**IMPORTANT:** No liability is accepted for incorrect use of product. Spare parts must be fitted by a competent person

**WARRANTY:** Guarantee is 12 months from purchase date, proof of which will be required for any claim.



Parts Information:  
**Bandsaw 300mm Horizontal Hydraulic  
 Arm**  
**Model No: SM35CE.V3**

Item	Part No.	Description
143	SM35H/143	Screw, Round Head
144	SM35H/144	Screw, Hex Head 3/8" x 1-1/4"
145	SM35H/145	Support, Top
146	SM35H/146	Spring Washer
147	SM35H/147	Nut 3/8"
148	SM35H/148	Screw, Round Head 1/4" x 1/2"
149	SM35H/149	Washer 1/4"
150	SM35CE/150N	Blade Guard, Rear
153	SM35CE/153N	Brush Assembly
154	SM35H/154	Screw, Hex Head 5/16" x 1/2"
155	SM35CE/155N	Control Panel
156	SM35CE/156	Hose
157	SM35H/157	Screw
159	SM35CE/159	Valve
160	SM35H/160	Screw, Round Head 3/16" x 3/8"
161	SM35H/161	Screw
162	SM35H/162	Safety Switch, Blade Guard
163	SM35H/163	Adjustable Bracket, Front
164	SM35CE/164N	Blade Guard Assembly (c/w Brush)
165	SM35H/165	Screw, Hex Head 1/4" x 1/2"
166	SM35H/166	Guide Plate, Sliding
167	SM35H/167	Screw, Set 5/16" x 3/4"
170	SM35H/170	Screw
171	SM35H/171	Block
172	SM35H/172	Bracket
173	SM35H/173	Bushing, Bearing
174	B/6203ZZ	Bearing
175	SM35H/175	Blade Wheel, Front
176	SM35H/176	Washer
177	SM35H/177	Screw
178	SM35H/178	Screw
179	SM35H/179	Washer
180	SM35H/180	Washer 3/8"
181	SM35H/181	Handwheel, Blade Adjust
183	V/K27.5	Belt
184	SM35H/184	Pulley, Worm Drive
185	SM35H/185	Pulley, Motor
186	SM35H/186	Set Screw 5/16" x 3/8"
187	SM35H/187	Screw, Hex Head 1/4" x 3/8"
188	SM35H/188	Washer 1/4"
189	SM35H/189	Cover, Pulley
190	SM35H/190	Thumb Screw
191	SM35H/191	Key

Item	Part No.	Description
192	SM35H/192	Motor
193	SM35H/193	Screw, Hex Head 5/16" x 1-1/4"
194	SM35H/194	Plate, Motor Mount
195	SM35H/195	Washer
196	SM35H/196	Spring Washer 5/16"
197	SM35H/197	Nut 5/16"
198	SM35CE.198N	Stopper, Worm Shaft
199	B/6003	Bearing
200	SM35H/200	C-Ring
201	SM35H/201	Oil Seal
202	SM35H/202	Bushing, Bearing
203	SM35CE.203N	Worm Shaft
203-1	SM35CE.203-1	Key
204	SM35H/204	Screw, Hex Head 1/4" x 1/2"
205	SM35H/205	Washer 1/4"
206	SM35H/206	Plate, Support
207	SM35CE/207	Rack, Limit Switch
208	SM35H/208	Stop Plate, Limit Switch
209	SM35H/209	Screw, Round Head
210	SM35H/210	Screw, Round Head
212	SM35CE/212	Screw, Round Head
213	SM35CE/213	Nut
214	SM35CE/214	Screw
215	SM35CE/215	Washer
216	SM35CE/216N	Support Plate
217	SM35CE/217	Screw
218	SM35CE.218	C-Ring
--	SM35H/136A	Shaft, Non-Eccentric (Not Shown)
--	SM35CE/158	Support, Hose (Not Shown)
--	SM35H/169	Sliding Block, Blade Tension (Not Shown)
--	SM35CE.198-1	Set Screw 5/16" x 1/4" (Not Shown)
--	SM35CE/211	Plate, Blade Guard
--	SM35/CE/G	Blade Guard (Not Shown)
--	SM35CE/CC	Capacitor Cover (Not Shown)
--	SM35CE/EB	Cover, Electric Box (Not Shown)
--	SM35CE/FC	Fan Cover (Not Shown)
--	SM35/005-4	Motor Fan Cover (Not Shown)
--	SM35/B08	Blade 8TPI (Not Shown)
--	SM35/B14	Blade 14TPI (Not Shown)
--	SM35/B14-BIM	Blade, Bi-Metal 14TPI (Not Shown)
--	SM35/B18	Blade 18TPI (Not Shown)
--	SM35/B24	Blade 24TPI (Not Shown)

**NOTE:** It is our policy to continually improve products and as such we reserve the right to alter data, specifications and component parts without prior notice. There may be alternative versions of this product, please contact us should you require this information.

**IMPORTANT:** No liability is accepted for incorrect use of product. Spare parts must be fitted by a competent person

**WARRANTY:** Guarantee is 12 months from purchase date, proof of which will be required for any claim.

**Sealey Group**, Kempson Way, Suffolk Business Park, Bury St Edmunds, Suffolk. IP32 7AR



01284 757500



01284 703534



sales@sealey.co.uk



www.sealey.co.uk