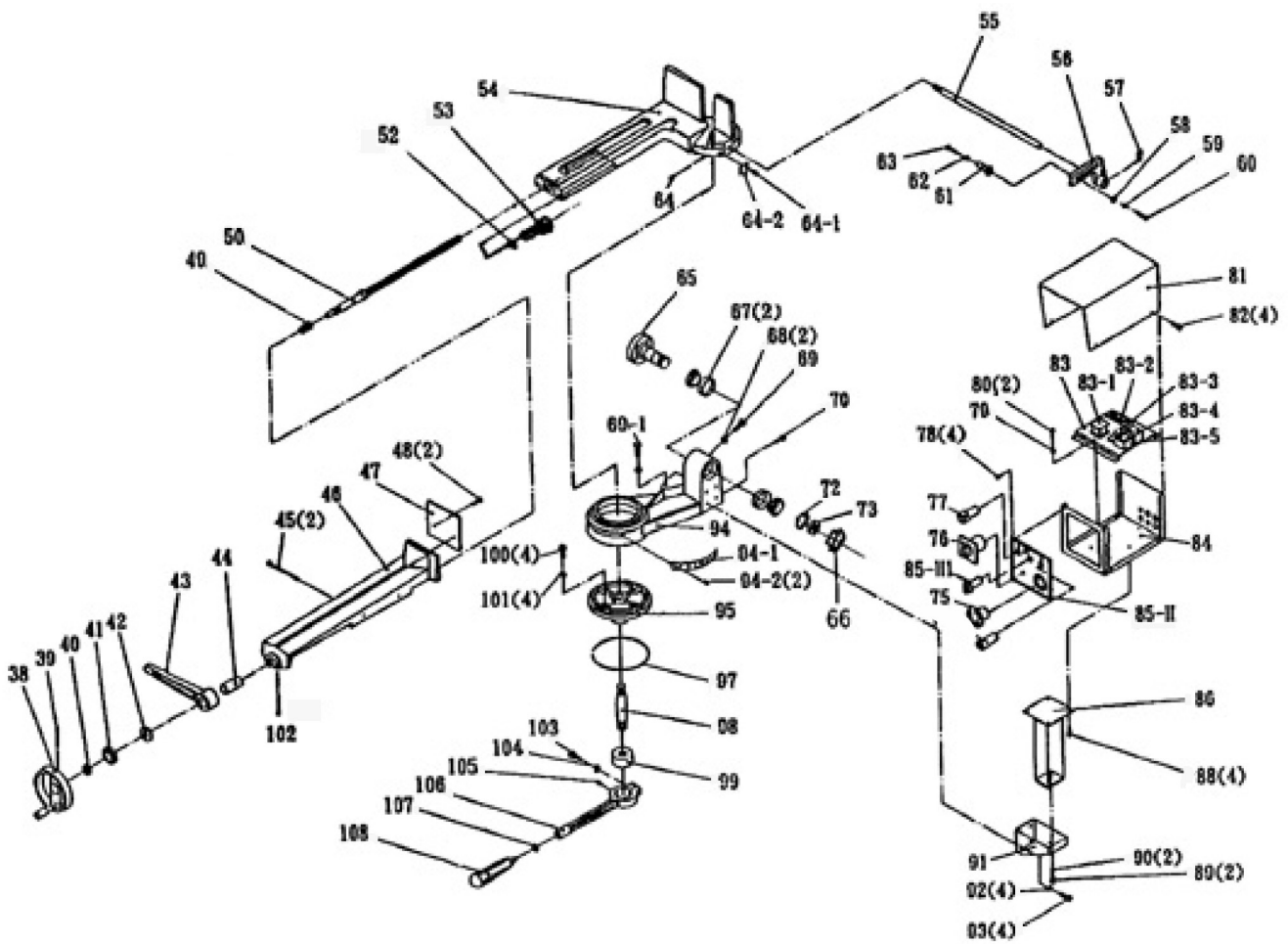


NOTE: It is our policy to continually improve products and as such we reserve the right to alter data, specifications and component parts without prior notice.

IMPORTANT: No liability is accepted for incorrect use of product.

WARRANTY: Guarantee is 12 months from purchase date, proof of which will be required for any claim.



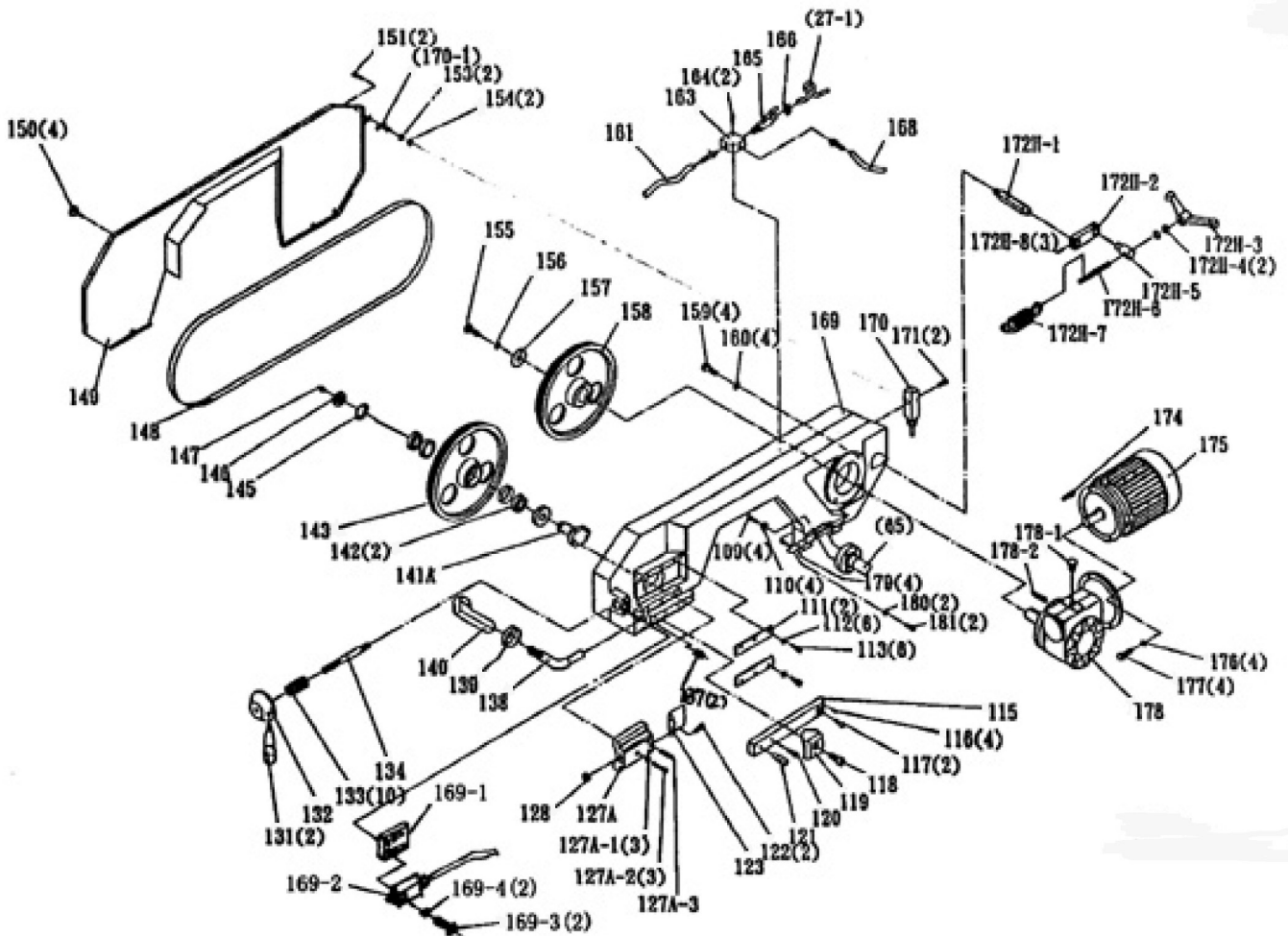
NOTE: It is our policy to continually improve products and as such we reserve the right to alter data, specifications and component parts without prior notice.

IMPORTANT: No liability is accepted for incorrect use of product.

WARRANTY: Guarantee is 12 months from purchase date, proof of which will be required for any claim.



Parts Information:
Industrial Power Bandsaw 255mm
Model No: SM355CE



NOTE: It is our policy to continually improve products and as such we reserve the right to alter data, specifications and component parts without prior notice.

IMPORTANT: No liability is accepted for incorrect use of product.

WARRANTY: Guarantee is 12 months from purchase date, proof of which will be required for any claim.

Sealey Group, Kempson Way, Suffolk Business Park, Bury St Edmunds, Suffolk. IP32 7AR



01284 757500



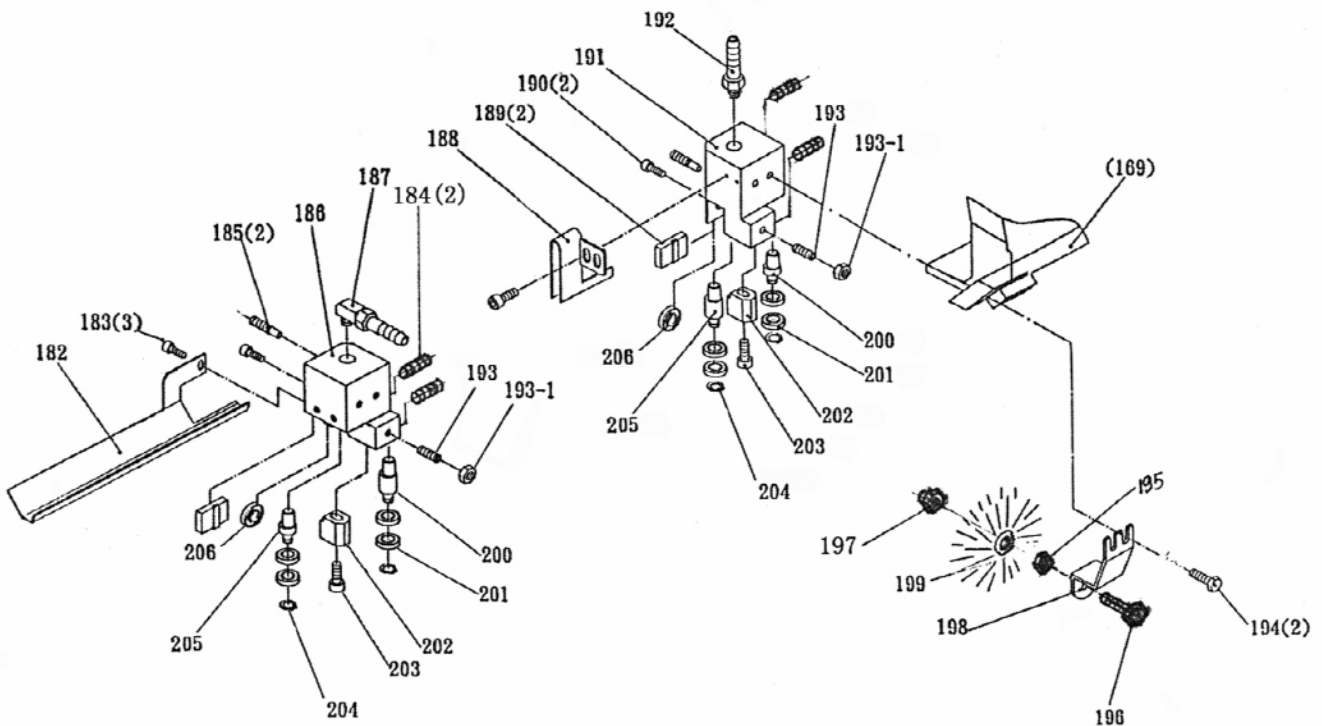
01284 703534



sales@sealey.co.uk



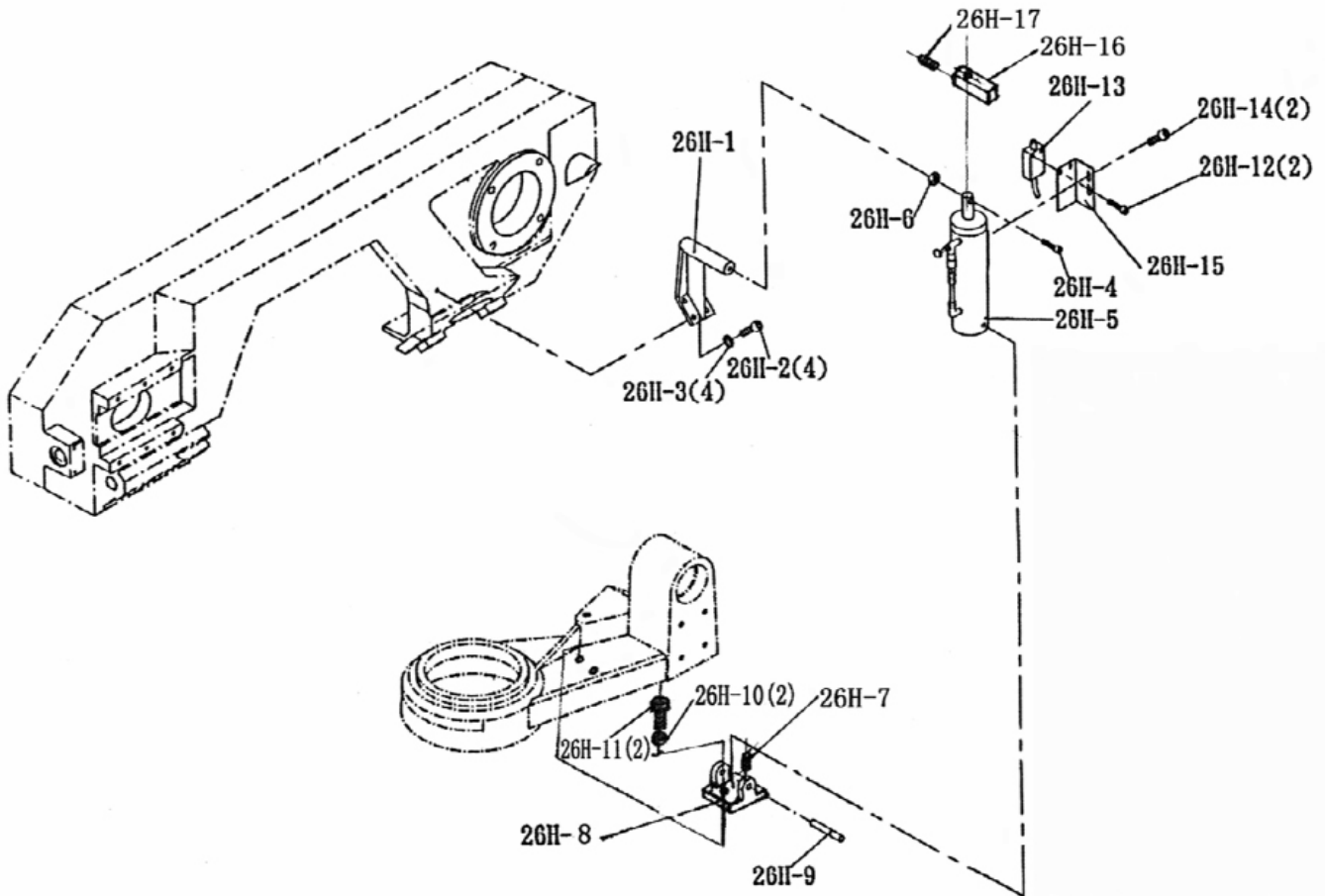
www.sealey.co.uk



NOTE: It is our policy to continually improve products and as such we reserve the right to alter data, specifications and component parts without prior notice.

IMPORTANT: No liability is accepted for incorrect use of product.

WARRANTY: Guarantee is 12 months from purchase date, proof of which will be required for any claim.



NOTE: It is our policy to continually improve products and as such we reserve the right to alter data, specifications and component parts without prior notice.

IMPORTANT: No liability is accepted for incorrect use of product.

WARRANTY: Guarantee is 12 months from purchase date, proof of which will be required for any claim.



Parts Information:
Industrial Power Bandsaw 255mm
Model No: SM355CE

Item	Part No.	Description
1	SM355CE.001	BASE (RIGHT SIDE)
2	SN12.S	STEEL NUT M12 ZINC DIN934(SINGLE)
3	SS1240.S	HEX HEAD SET SCREW M12x40mm SINGLE
4	SN8.S	STEEL NUT M8 ZINC DIN934 (SINGLE)
5	FWM8.S	FLAT WASHER M8 SINGLE
6	SS816.S	HEX HEAD SET SCREW M8x16mm SINGLE
7	SM355CE.007	BASE PLATE
8	SM355CE.008	BASE (LEFT SIDE)
9	SCB820.SB	SOCKET HEAD CAP SCREW M8x20 BLACK
10	FWM8.S	FLAT WASHER M8 SINGLE
10.1	SN8.S	STEEL NUT M8 ZINC DIN934 (SINGLE)
10.2	FWM8.S	FLAT WASHER M8 SINGLE
11	SCB820.SB	SOCKET HEAD CAP SCREW M8x20 BLACK
12	SWM8.S	SPRING WASHER M8 ZINC (SINGLE)
13	FWM8.S	FLAT WASHER M8 SINGLE
14	SM355CE.014	SUPPORT PLATE
15	SM355CE.015	ROLLER STAND BRACKET
16	FWM10.S	FLAT WASHER M10 SINGLE
17	SWM10.S	SPRING WASHER M10 ZINC (SINGLE)
18	SS1025.S	HEX HEAD SET SCREW M10x25mm SINGLE
23	SM354CE.033	FILTER
23.1	SM355CE.023-1	BLOCK PLATE
24	SM355CE.024	SCREW (M5x10)
24.1	FWM5.S	FLAT WASHER M5 SINGLE
25	SCB516.SB	SOCKET HEAD CAP SCREW M5x16 BLACK
26	FWM5.S	FLAT WASHER M5 SINGLE
27	SM354CE.038	HOSE CLAMP
27.1	SM355CE.027-1	HOSE (5/16"x130cm)
28	SM354CE.039	PUMP
29	SS1025.S	HEX HEAD SET SCREW M10x25mm SINGLE
30	SM355CE.030	COOLANT TRAY
31	SS1240.S	HEX HEAD SET SCREW M12x40mm SINGLE
32	SN12.S	STEEL NUT M12 ZINC DIN934(SINGLE)
33	SCB510.SB	SOCKET HEAD CAP SCREW M5x10 BLACK
34	SM355CE.034	BASE FRONT PLATE
38	SM354CE.054	HAND WHEEL 5-1/2"
39	GSM612.S	GRUB SCREW M6x12 (SINGLE)

Item	Part No.	Description
40	SM355CE.040	NUT WITH GRUB SCREW
41	SM355CE.041	BEARING BUSHING
42	B/51104	BEARING RACE 51104
43	SM354CE.059	LOCK HANDLE
44	SM355CE.044	BUSHING
45	SCB6100.SB	SOCKET CAP BOLT BLACK M6x100mm
46	SM355CE.046	TABLE
47	SM355CE.047	PLATE
48	SM355CE.048	MACHINE SCREW (M6x20)
49	SM355CE.049	COMPRESSION SPRING
50	SM355CE.050	LEAD SCREW
51	SCB820.SB	SOCKET HEAD CAP SCREW M8x20 BLACK
52	RW825.S	REPAIR WASHER M8x25 (SINGLE)
53	SCB810.SB	SOCKET HEAD CAP SCREW M8x10 BLACK
54	SM355CE.054	VICE
55	SM355CE.055	STOP-BAR ROD
56	SM355CE.056	BRACKET
57	SM354CE.084	SCREW (5/16 x 3/4)
58	RW825.S	REPAIR WASHER M8x25 (SINGLE)
59	SWM8.S	SPRING WASHER M8 ZINC (SINGLE)
60	SS825.S	HEX HEAD SET SCREW M8x25mm SINGLE
61	SM355CE.061	ROD
62	SN8.S	STEEL NUT M8 ZINC DIN934 (SINGLE)
63	SS845.S	HEX HEAD SET SCREW M8x45mm SINGLE
64	GSM810.S	GRUB SCREW M8x10 (SINGLE)
64.1	SCB56.SB	SOCKET HEAD CAP SCREW M5x6 BLACK
64.2	SM354CE.069	SCALE POINT
65	SM355CE.065	PIVOT
66	SM354CE.072	COVER
67	B/32006	BEARING 32006
68	SN10.S	STEEL NUT M10 ZINC DIN934(SINGLE)
69	SS1030.S	HEX HEAD SET SCREW M10x30mm SINGLE
69.1	SS1025.S	HEX HEAD SET SCREW M10x25mm SINGLE
70	SM355CE.070	SPRING HOOK
72	SM354CE.077	STAR WASHER M30
73	SM355CE.146	SPECIAL NUT M30
75	SM354CE.092-3	EMERGENCY SWITCH

NOTE: It is our policy to continually improve products and as such we reserve the right to alter data, specifications and component parts without prior notice.

IMPORTANT: No liability is accepted for incorrect use of product.

WARRANTY: Guarantee is 12 months from purchase date, proof of which will be required for any claim.

Sealey Group, Kempson Way, Suffolk Business Park, Bury St Edmunds, Suffolk. IP32 7AR



01284 757500



01284 703534



sales@sealey.co.uk



www.sealey.co.uk



Parts Information:
Industrial Power Bandsaw 255mm
Model No: SM355CE

Item	Part No.	Description
76	SM354CE.092-1	MAIN SWITCH
77	SM354CE.092-2	POWER INDICATOR LIGHT
78	SM354CE.091	SCREW (M5x10)
79	SM355CE.079	WASHER M5
80	MSP56.S	MACHINE SCREW PAN HEAD PHILLIPS M5x6mm
81	SM354CE.085	COVER
82	SM354CE.086	HEX SOCKET CAP SCREW (M5x8)
83	SM354CE.089	BOTTOM PLATE FOR CONTROL BOX
83.1	SM354CE.090-1	TRANSFORMER
83.2	SM354CE.090-2	MAGNETIC CONNECTOR
83.3	SM354CE.090-3	FUSE SEAT
83.4	SM354CE.090-4	OVERLOAD RELAY
83.5	SM354CE.090-5	CONTACT
84	SM354CE.094	CONTROL BOX BOTTOM
85.H	SM354CE.093-H	CONTROL BOX PANEL
85.H1	SM354CE.093H1	MANUAL/AUTO SELECTOR
85.H2	SM354CE.093H2	START BUTTON
86	SM354CE.095	SUPPORT
88	SCB510.SB	SOCKET HEAD CAP SCREW M5x10 BLACK
89	SCB820.SB	SOCKET HEAD CAP SCREW M8x20 BLACK
90	SWM8.S	SPRING WASHER M8 ZINC (SINGLE)
91	SM354CE.096	BRACKET
92	SWM8.S	SPRING WASHER M8 ZINC (SINGLE)
93	SCB820.SB	SOCKET HEAD CAP SCREW M8x20 BLACK
94	SM355CE.094	SWIVEL ARM
94.1	SM354CE.080	SCALE
94.2	SM355CE.094-2	RIVET 2MM
95	SM354CE.050	DISC
--	SM355CE.096	SET SCREW (M8x10) (NOT SHOWN)
97	SM354CE.048	OIL SEAL
98	SM354CE.047	SHAFT
99	SM354CE.046	NUT
100	SCB830.SB	SOCKET HEAD CAP SCREW M8x30 BLACK
101	SWM8.S	SPRING WASHER M8 ZINC (SINGLE)

Item	Part No.	Description
102	GSM810.S	GRUB SCREW M8x10 (SINGLE)
103	SM355CE.103	SOCKET CAP BOLT M10X45 BLACK
104	SWM10.S	SPRING WASHER M10 ZINC (SINGLE)
105	GSM1014.S	GRUB SCREW M10x14 (SINGLE)
106	SM355CE.106	LOCKING LEVER
107	SN12.S	STEEL NUT M12 ZINC DIN934(SINGLE)
108	SM355CE.108	HANDLE
109	SM355CE.109	SOCKET CAP BOLT M10X35 BLACK
110	SWM10.S	SPRING WASHER M10 ZINC (SINGLE)
111	SM355CE.111	GIB
112	SWM8.S	SPRING WASHER M8 ZINC (SINGLE)
113	SCB820.SB	SOCKET HEAD CAP SCREW M8x20 BLACK
115	SM355CE.115	FRONT BEARING BRACKET
116	SM355CE.116	SET SCREW (M6x12)
117	SM355CE.117	HEX SOCKET CAP SCREW (M8x20)
118	SM355CE.118	HEX SOCKET CAP SCREW (M12x50)
119	SM355CE.119	SETTING BRACKET
120	SCB68.SB	SOCKET HEAD CAP SCREW M6x8 BLACK
121	SM355CE.121	HANDLE
122	SCB612.SB	SOCKET HEAD CAP SCREW M6x12 BLACK
123	SM355CE.123	COVER PLATE
127A	SM355CE.127A	SLIDE
127.1	SWM10.S	SPRING WASHER M10 ZINC (SINGLE)
127.2	SCB1045.SB	SOCKET HEAD CAP SCREW M10x45 BLACK
127.3	GSM1030.S	GRUB SCREW M10x30 (SINGLE)
128	SN16.SB	STEEL NUT M16 BLACK (SINGLE)
131	SM354CE.124	HANDLE
132	SM354CE.125	HANDWHEEL
133	SM354CE.126	CURVED WASHER
134	SM355CE.134	TENSION SHAFT
137	GSM820.S	GRUB SCREW M8x20 (SINGLE)
138	SM354CE.114	ROD
139	SN16.SB	STEEL NUT M16 BLACK (SINGLE)
140	SM354CE.116	TRIGGER SWITCH

NOTE: It is our policy to continually improve products and as such we reserve the right to alter data, specifications and component parts without prior notice.

IMPORTANT: No liability is accepted for incorrect use of product.

WARRANTY: Guarantee is 12 months from purchase date, proof of which will be required for any claim.

Sealey Group, Kempson Way, Suffolk Business Park, Bury St Edmunds, Suffolk. IP32 7AR



01284 757500



01284 703534



sales@sealey.co.uk



www.sealey.co.uk

Item	Part No.	Description	Item	Part No.	Description
141A	SM355CE.141A	SHAFT	178.1	SM355CE.178-1	VENT SCREW
142	B/32006	BEARING 32006	178.2	SM355CE.178-2	KEY (8x8x35)
143	SM355CE.143	IDLE FLYWHEEL	--	SM355CE.178-3	OIL SIGHT LENS (NOT SHOWN)
144	SM355CE.144	DUST COVER M30	179	GSM612.S	GRUB SCREW M6x12 (SINGLE)
145	SM355CE.145	M30 EXT TOOTH WASHER BLACK	180	SWM8.S	SPRING WASHER M8 ZINC (SINGLE)
146	SM355CE.146	SPECIAL NUT M30	181	SCB820.SB	SOCKET HEAD CAP SCREW M8x20 BLACK
147	SM355CE.147	OIL INLET	182	SM355CE.182	FRONT BLADE GUARD
148	SM355CE.148	BLADE GTPI 2460 X 25 X 0.9mm 6tpi	183	SCB68.SB	SOCKET HEAD CAP SCREW M6x8 BLACK
148	SM355B14	BANDSAW BLADE 2450 x 27 x 0.9mm 14tpi	184	SM355CE.184	SET SCREW (M6x6)
149	SM355CE.149	BLADE COVER	185	SM355CE.185	BOLT M10X30
150	SM355CE.150	KNOB BOLT M6X10	186	SM355CE.186	BEARING SEAT (FRONT)
151	MSP48.S	MACHINE SCREW PAN HEAD PHILLIPS M4x8mm	187	SM355CE.187	PIPE FITTING 1/4P X 5/16
152	FWM4.S	FLAT WASHER M4 SINGLE	188	SM355CE.188	REAR BLADE GUARD
153	SN4.S	STEEL NUT M4 ZINC DIN934 (SINGLE)	189	SM355CE.189	BLADE GUARD (B)
154	SS1025.S	HEX HEAD SET SCREW M10x25mm SINGLE	190	SCB68.SB	SOCKET HEAD CAP SCREW M6x8 BLACK
155	SWM10.S	SPRING WASHER M10 ZINC (SINGLE)	191	SM355CE.191	BEARING SEAT (REAR)
156	RW1050.S	REPAIR WASHER M10x50 (SINGLE)	192	SM355CE.192	PIPE FITTING 1/4P X 5/16
157	SM355CE.158	DRIVE FLYWHEEL	193	GSM614.S	GRUB SCREW M6x14 (SINGLE)
159	SCB1040.SB	SOCKET HEAD CAP SCREW M10x40 BLACK	193.1	SN6.S	STEEL NUT M6 ZINC DIN934 (SINGLE)
160	SWM10.S	SPRING WASHER M10 ZINC (SINGLE)	194	SS612.S	HEX HEAD SET SCREW M6x12mm SINGLE
161	SM355CE.161	HOSE (5/16"x100cm)	195	SN6.S	STEEL NUT M6 ZINC DIN934 (SINGLE)
163A	SM354CE.148A	PIPE FITTING SEAT	196	SS630.S	HEX HEAD SET SCREW M6x30mm SINGLE
164	SCB616.SB	SOCKET HEAD CAP SCREW M6x16 BLACK	197	NLN6.S	NYLOC NUT M6 ZINC DIN 985 (SINGLE)
165	SM354CE.150	COOLANT SWITCH 1/4P X 5/16	198	SM355CE.198	BRACKET
166	SM355CE.166	HOSE CLAMP	199	SM355CE.199	BRUSH 1-1/2"
167	SM355CE.167	PIPE FITTING 1/4P X 5/16	200	SM355CE.200	ECCENTRIC SHAFT
168	SM355CE.168	HOSE (5/16"x40cm)	201	B/608ZZ	BEARING 608ZZ
169	SM355CE.169	ARM	202	SM355CE.202	BLADE GUIDE (A)
169.1	SM355CE.169-1	PLATE	203	SCB625.S	SOCKET CAP BOLT ZINC M6X25
169.2	SM354CE021H13	LIMIT SWITCH	204	SM355CE.204	E-RING E7
169.3	SM355CE.169-3	PAN HEAD MACHINE SCREW M4X30	205	SM355CE.205	CENTRIC SHAFT
169.4	FWM4.S	FLAT WASHER M4 SINGLE	206	B/608ZZ	BEARING 608ZZ
170	SM355CE.170	LIMIT SWITCH	26H.1	SM355CE.026H1	HYDRAULIC CYLINDER SUPPORT
171	SM355CE.170-1	SWITCH PIN	26H.2	SCB820.S	SOCKET CAP BOLT ZINC M8X20
171	SM355CE.171	HEX SOCKET CAP SCREW (M4x35)	26H.3	SM354CE.021H3	SPRING WASHER (M8)
171H.1	SM355CE.172H1	SPRING SHAFT	26H.4	SM354CE.021H4	HEX HEAD BOLT BLACK M10X50
171H.2	SM354CE.155H2	SETTING PLATE	26H.5	SM354CE.021H5	HYDRAULIC CYLINDER
171H.3	SM354CE.155H3	HANDLE	26H.6	SN10.S	STEEL NUT M10 ZINC DIN934(SINGLE)
171H.4	SM354CE.155H4	STEEL NUT M16 BLACK (SINGLE)	26H.7	SCB612.S	SOCKET CAP BOLT ZINC M6X12
171H.5	SM354CE.155H5	BUSHING	26H.8	SM354CE.021H8	BOTTOM SUPPORT
171H.6	SM354CE.155H6	ADJUSTABLE SHAFT	26H.9	SM354CE.021H9	SUPPORT ROD
171H.7	SM355CE.172H7	SPRING	26H.10	SM354CE.021H0	SPRING WASHER
171H.8	GSM810.S	GRUB SCREW M8x10 (SINGLE)	26H.11	SM354CE.021H1	SOCKET CAP BOLT BLACK M8X20
174	SM355CE.174	KEY (8x8x35)	26H.12	SM354CE.021H2	HEX SOCKET CAP SCREW (M4x25)
175	SM355CE.175	MOTOR	26H.13	SM354CE.021H3	LIMIT SWITCH
176	SWM8.S	SPRING WASHER M8 ZINC (SINGLE)	26H.14	SM354CE.021H4	PAN HEAD MACHINE SCREW BLACK M6X6
177	SM355CE.177	BOLT (M8x30)	26H.15	SM354CE.021H5	ADJUSTING BRACKET
178	SM355CE.178	GEARBOX	26H.16	SM354CE.021H6	SETTING BRACKET
			26H.17	GSM66.S	GRUB SCREW M6x6 (SINGLE)

