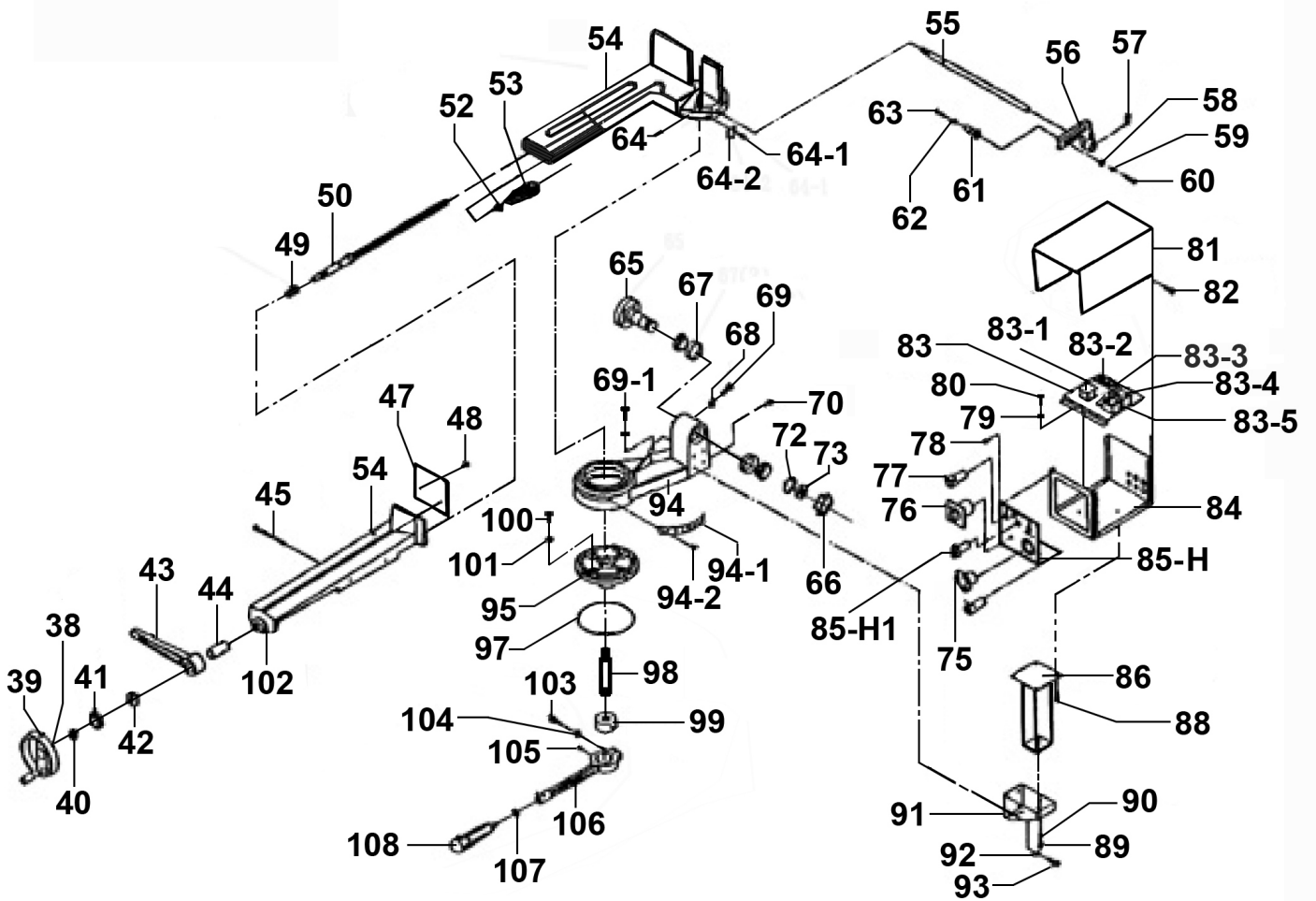


NOTE: It is our policy to continually improve products and as such we reserve the right to alter data, specifications and component parts without prior notice. There may be alternative versions of this product, please contact us should you require this information.

IMPORTANT: No liability is accepted for incorrect use of product. Spare parts must be fitted by a competent person

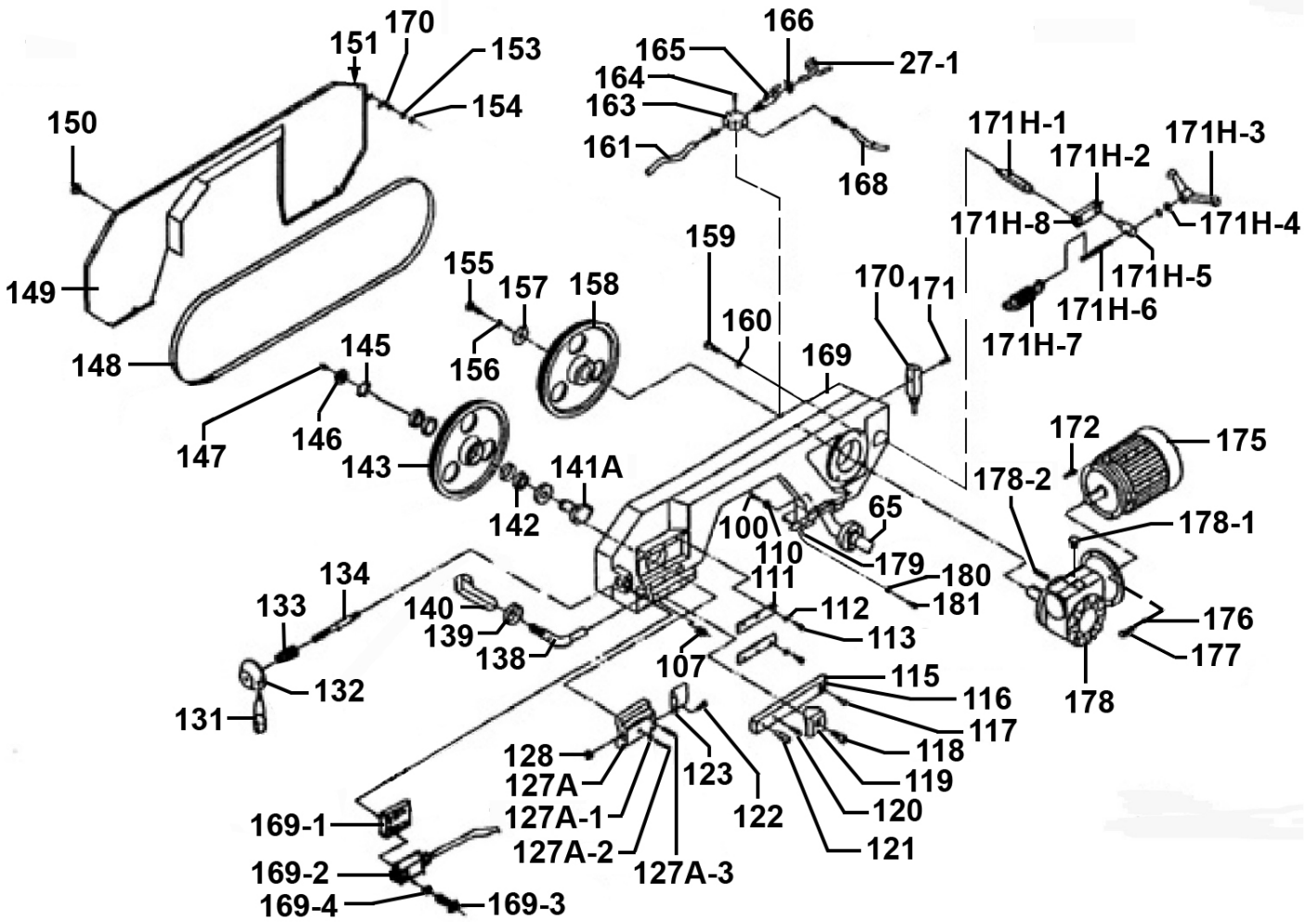
WARRANTY: Guarantee is 12 months from purchase date, proof of which will be required for any claim.



NOTE: It is our policy to continually improve products and as such we reserve the right to alter data, specifications and component parts without prior notice. There may be alternative versions of this product, please contact us should you require this information.

IMPORTANT: No liability is accepted for incorrect use of product. Spare parts must be fitted by a competent person

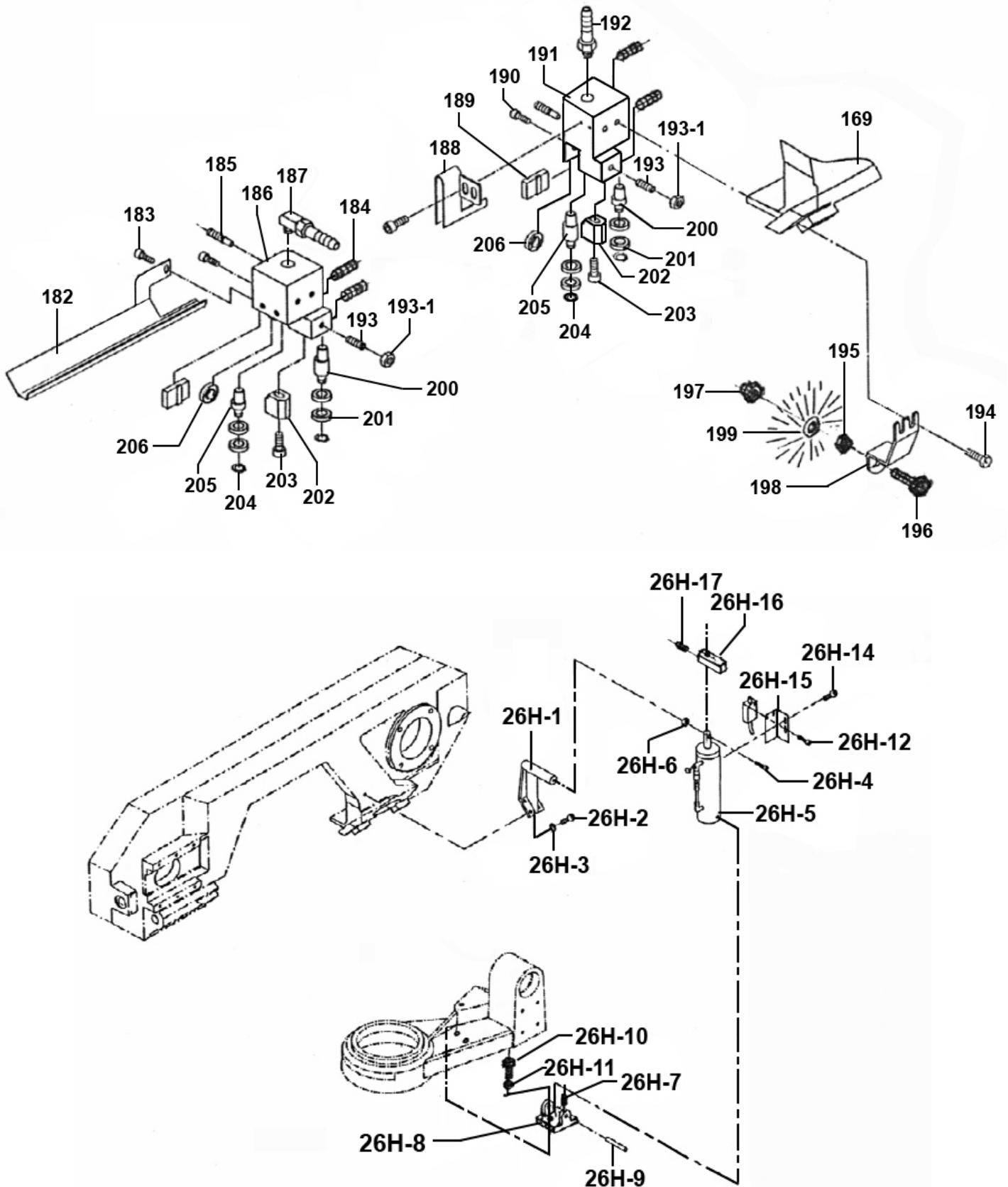
WARRANTY: Guarantee is 12 months from purchase date, proof of which will be required for any claim.



NOTE: It is our policy to continually improve products and as such we reserve the right to alter data, specifications and component parts without prior notice. There may be alternative versions of this product, please contact us should you require this information.

IMPORTANT: No liability is accepted for incorrect use of product. Spare parts must be fitted by a competent person

WARRANTY: Guarantee is 12 months from purchase date, proof of which will be required for any claim.



NOTE: It is our policy to continually improve products and as such we reserve the right to alter data, specifications and component parts without prior notice. There may be alternative versions of this product, please contact us should you require this information.

IMPORTANT: No liability is accepted for incorrect use of product. Spare parts must be fitted by a competent person

WARRANTY: Guarantee is 12 months from purchase date, proof of which will be required for any claim.



Parts Information:
Industrial Power Bandsaw 255mm
Model No: SM355CE

Item	Part No.	Description
1	SM355CE.001	Base (Right Side)
2	SN12.S	Steel Nut M12 Zinc
3	SS1240.S	Hex Head Set Screw M12 X 40 Zinc
4	SN8.S	Steel Nut M8 Zinc
5	FWM8.S	Flat Washer M8 Zinc
6	SS816.S	Hex Head Set Screw M8 X 16 Zinc
7	SM355CE.007	Base Plate
8	SM355CE.008	Base (Left Side)
9	SCB820.SB	Socket Cap Bolt M8 x 20mm Black
10	FWM8.S	Flat Washer M8 Zinc
10-1	SN8.S	Steel Nut M8 Zinc
10-2	FWM8.S	Flat Washer M8 Zinc
11	SCB820.SB	Socket Cap Bolt M8 x 20mm Black
12	SWM8.S	Spring Washer M8 Zinc
13	FWM8.S	Flat Washer M8 Zinc
14	SM355CE.014	Support Plate
15	SM355CE.015	Roller Stand Bracket
16	FWM10.S	Flat Washer M10 Zinc
17	SWM10.S	Spring Washer M10 Zinc
18	SS1025.S	Hex Head Set Screw M10 X 25 Zinc
23	SM354CE.033	Filter
23-1	SM355CE.023-1	Block Plate
24	SM355CE.024	Screw (M5x10)
24-1	FWM5.S	Flat Washer M5 Zinc
25	SCB516.SB	Socket Cap Bolt M5 x 16mm Black
26	FWM5.S	Flat Washer M5 Zinc
27	SM354CE.038	Hose Clamp
27-1	SM355CE.027-1	Hose 14mm x 18mm x 150mm
28	SM354CE.039	Pump
29	SS1025.S	Hex Head Set Screw M10 X 25 Zinc
30	SM355CE.030	Coolant Tray
31	SS1240.S	Hex Head Set Screw M12 X 40 Zinc
32	SN12.S	Steel Nut M12 Zinc
33	SCB510.SB	Socket Cap Bolt M5 x 10mm Black
34	SM355CE.034	Base Front Plate
38	SM354CE.054	Hand wheel 5-1/2"
39	GSM612.S	Grub Screw M6x12
40	SM355CE.040	Nut With Grub Screw
41	SM355CE.041	Bearing Bushing
42	B/51104	Bearing Race 51104
43	SM354CE.059	Lock Handle
44	SM355CE.044	Bushing

Item	Part No.	Description
45	SCB6100.SB	Socket Cap Bolt M6 x 100mm Black
47	SM355CE.047	Plate
48	SM355CE.048	Machine screw (M6x20)
49	SM355CE.049	Compression Spring Dia 30.9mm
50	SM355CE.050	Lead Screw
52	RW825.S	Repair Washer M8 X 25 Zinc
53	SCB810.SB	Socket Cap Bolt M8 x 10mm Black
54	SM355CE.054	Vice
55	SM355CE.055	Stop-Bar Rod
56	SM355CE.056	Bracket
57	SM354CE.084	Screw (5/16 x 3/4)
58	RW825.S	Repair Washer M8 X 25 Zinc
59	SWM8.S	Spring Washer M8 Zinc
60	SS825.S	Hex Head Set Screw M8 X 25 Zinc
61	SM355CE.061	Rod
62	SN8.S	Steel Nut M8 Zinc
63	SS845.S	Hex Head Set Screw M8 X 45 Zinc
64	GSM810.S	Grub Screw M8x10 (Single)
64-1	SCB56.SB	Socket Cap Bolt M5 x 6mm Black
64-2	SM354CE.069	Scale Point
65	SM355CE.065	Pivot
66	SM354CE.072	Cover
67	B/32006	Bearing 32006
68	SN10.S	Steel Nut M10 Zinc
69	SS1030.S	Hex Head Set Screw M10 X 30 Zinc
69-1	SS1025.S	Hex Head Set Screw M10 X 25 Zinc
70	SM355CE.070	Spring Hook
72	SM354CE.077	Star washer M30
73	SM355CE.146	Special Nut M30
75	SM354CE.092-3	Emergency Switch, Press Button With Twist Release
76	SM354CE.092-1	Main Swith, Rotary On/Off
77	SM354CE.092-2	Power Indicator Light
78	SM354CE.091	Screw (M5x10)
79	FWM5.S	Flat Washer Zinc M5
80	MSP56.S	Machine Screw Pan Head Phillips M5 x 6mm
81	SM354CE.085	Cover
82	SM354CE.086	Hex Socket Cap Screw (M5x8)
83	SM354CE.089	Bottom Plate For Control Box
83-1	SM354CE.090-1	Transformer
83-2	SM354CE.090-2	Magnetic Connector
83-3	SM354CE.090-3	Fuse Seat
83-4	SM354CE.090-4	Overload Relay

NOTE: It is our policy to continually improve products and as such we reserve the right to alter data, specifications and component parts without prior notice. There may be alternative versions of this product, please contact us should you require this information.

IMPORTANT: No liability is accepted for incorrect use of product. Spare parts must be fitted by a competent person

WARRANTY: Guarantee is 12 months from purchase date, proof of which will be required for any claim.

Sealey Group, Kempson Way, Suffolk Business Park, Bury St Edmunds, Suffolk. IP32 7AR



01284 757500



01284 703534



sales@sealey.co.uk



www.sealey.co.uk



Parts Information:
Industrial Power Bandsaw 255mm
Model No: SM355CE

Item	Part No.	Description
83-5	SM354CE.090-5	Contact
84	SM354CE.094	Control Box Bottom
85-H	SM354CE.093-H	Control Box Panel
85-H1	SM354CE.093H1	Manual/Auto Selector
85-H2	SM354CE.093H2	Start Button
86	SM354CE.095	Support
88	SCB510.SB	Socket Cap Bolt M5 x 10mm Black
89	SCB820.SB	Socket Cap Bolt M8 x 20mm Black
90	SWM8.S	Spring Washer M8 Zinc
91	SM354CE.096	Bracket
92	SWM8.S	Spring Washer M8 Zinc
93	SCB820.SB	Socket Cap Bolt M8 x 20mm Black
94	SM355CE.094	Swivel Arm
94-1	SM354CE.080	Scale
94-2	SM355CE.094-2	Rivet 2mm
95	SM354CE.050	Disc
97	SM354CE.048	O-Ring, (Ex: 165.40 In: 158.34 Cs: 3.53)
98	SM354CE.047	Shaft
99	SM354CE.046	Nut
100	SCB830.SB	Socket Cap Bolt M8 x 30mm Black
101	SWM8.S	Spring Washer M8 Zinc
102	GSM810.S	Grub Screw M8x10 (Single)
103	SCB1045.SB	Socket Cap Bolt M10 x 45mm Black
104	SWM10.S	Spring Washer M10 Zinc
105	GSM1014.S	Grub Screw M10x14 (single)
106	SM355CE.106	Locking Lever
107	SN12.S	Steel Nut M12 Zinc
108	SM355CE.108	Handle
109	SCB1035.SB	Socket Cap Bolt M10 x 35mm Black
110	SWM10.S	Spring Washer M10 Zinc
111	SM355CE.111	Gib
112	SWM8.S	Spring Washer M8 Zinc
113	SCB820.SB	Socket Cap Bolt M8 x 20mm Black
115	SM355CE.115	Front Bearing Bracket
116	GSM612.S	Grub Screw M6x12 (Single)
117	SM355CE.117	Hex Socket Cap Screw (M8x20)
118	SM355CE.118	Hex Socket Cap Screw (M12x50)
119	SM355CE.119	Setting Bracket
120	SCB68.SB	Socket Cap Bolt M6 x 8mm Black
121	SM355CE.121	Handle
122	SCB612.SB	Socket Cap Bolt M6 x 12mm Black
123	SM355CE.123	Cover Plate

Item	Part No.	Description
127	SM355CE.127A	Slide
127-1	SWM10.S	Spring Washer M10 Zinc
127-2	SCB1045.SB	Socket Cap Bolt M10 x 45mm Black
127-3	GSM1030.S	Grub Screw M10x30 Black
128	SN16.SB	Steel Nut M16 Black
131	SM354CE.124	Handle
132	SM354CE.125	Handwheel
133	SM354CE.126	Curved Washer
134	SM355CE.134	Tension Shaft
137	GSM820.S	Grub Screw M8x20 (Single)
138	SM354CE.114	Rod
139	SN16.SB	Steel Nut M16 Black
140	SM354CE.116	Trigger Switch. Comes With Housing
141A	SM355CE.141A	Shaft
142	B/32006	Bearing 32006
143	SM355CE.143	Idle Flywheel
145	SM355CE.145	M30 Ext Tooth Washer Black
146	SM355CE.146	Special Nut M30
147	SM355CE.147	Oil Inlet
148	SM355B14	Bandsaw Blade 2450 x 27 x 0.9mm 14tpi
149	SM355CE.149	Blade Cover
150	SM355CE.150	Knob Bolt M6x10
151	MSP48.S	Machine Screw Pan Head Phillips M4 X 8 mm
153	FWM4.S	Flat Washer M4
154	SN4.S	Steel Nut M4 Zinc
155	SS1025.S	Hex Head Set Screw M10 X 25 Zinc
156	SWM10.S	Spring Washer M10 Zinc
157	RW1050.S	Repair Washer M10 X 50 Zinc
158	SM355CE.158	Drive Flywheel
159	SCB1040.SB	Socket Cap Bolt M10 X 40mm Black
160	SWM10.S	Spring Washer M10 Zinc
161	SM355CE.161	Hose (5/16"x100cm)
163A	SM354CE.148A	Pipe Fitting Seat
164	SCB616.SB	Socket Cap Bolt M6 x 16mm Black
165	SM354CE.150	Coolant On/Off Tap
166	SM355CE.166	Hose Clamp
167	SM355CE.167	Pipe Fitting 1/4p x 5/16
168	SM355CE.168	Hose (5/16"x40cm)
169	SM355CE.169	Arm
169-1	SM355CE.169-1	Plate
169-2	SM354CE021H13	Limit Switch. 10a 250v
169-3	MSP430.S	Machine Screw Pan Head Phillips M4x30mm

NOTE: It is our policy to continually improve products and as such we reserve the right to alter data, specifications and component parts without prior notice. There may be alternative versions of this product, please contact us should you require this information.

IMPORTANT: No liability is accepted for incorrect use of product. Spare parts must be fitted by a competent person

WARRANTY: Guarantee is 12 months from purchase date, proof of which will be required for any claim.

Sealey Group, Kempson Way, Suffolk Business Park, Bury St Edmunds, Suffolk. IP32 7AR



01284 757500



01284 703534



sales@sealey.co.uk



www.sealey.co.uk



Parts Information:
Industrial Power Bandsaw 255mm
Model No: SM355CE

Item	Part No.	Description
169-4	FWM4.S	Flat Washer M4
170	SM355CE.170	Limit Swith 12a 250v
170-1	SM355CE.170-1	Switch Pin
171	SM355CE.171	Machine Screw M4 x 35
171H-1	SM355CE.172H1	Spring Shaft
171H-2	SM354CE.155H2	Setting Plate
171H-3	SM354CE.155H3	Handle
171H-4	SN16.SB	Steel Nut M16 Black (Single)
171H-5	SM354CE.155H5	Bushing
171H-6	SM354CE.155H6	Adjustable Shaft
171H-7	SM355CE.172H7	Spring Dia 50.3mm
171H-8	GSM810.S	Grub Screw M8x10 (Single)
174	SM355CE.174	Key (8x8x35)
175	SM355CE.175	Motor (External 1 Phase 230v 50hz 1100w)
176	SWM8.S	Spring Washer M8 Zinc
177	SS830.S	Hex Head Set Screw M8X30 Zinc
178	SM355CE.178	Gearbox
178-1	SM355CE.178-1	Vent Screw
178-2	SM355CE.178-2	Key (8x8x35)
179	GSM612.S	Grub Screw M6x12
180	SWM8.S	Spring Washer M8 Zinc
181	SCB820.SB	Socket Cap Bolt M8 x 20mm Black
182	SM355CE.182	Front Blade Guard
183	SCB68.SB	Socket Cap Bolt M6 x 8mm Black
184	SM355CE.184	Set Screw (M6x6)
185	SM355CE.185	Bolt M10x30
186	SM355CE.186	Bearing Seat (Front)
187	SM355CE.187	Pipe fitting 1/4p x 5/16
188	SM355CE.188	Rear Blade Guard
189	SM355CE.189	Blade Guard (B)
190	SCB68.SB	Socket Cap Bolt M6 x 8mm Black
191	SM355CE.191	Bearing Seat (Rear)
192	SM355CE.192	Pipe fitting 1/4p x 5/16
193	GSM614.S	Grub Screw M6x14 (Single)

Item	Part No.	Description
193-1	SN6.S	Steel Nut M6 Zinc
194	SS612.S	Hex Head Set Screw M6 X 12 Zinc
195	SN6.S	Steel Nut M6 Zinc
196	SS630.S	Hex Head Set Screw M6 X 30 Zinc
197	NLN6.S	Nyloc Nut M6 Zinc
198	SM355CE.198	Bracket
199	SM355CE.199	Brush 1-1/2"
200	SM355CE.200	Eccentric Shaft
201	B/608ZZ	Bearing 608zz
202	SM355CE.202	Blade Guide (A)
203	SCB625.S	Socket Cap Bolt M6 x 25mm
204	SM355CE.204	E-Clip 7mm ID
205	SM355CE.205	Centric Shaft
206	B/608ZZ	Bearing 608zz
26H1	SM355CE.026H1	Hydraulic Cylinder Support
26H2	SCB820.SB	Socket Cap Bolt M8 x 20mm Black
26H3	SM354CE.021H3	Spring Washer (M8)
26H4	HHB1050.SB	Socket Cap Bolt M8 x 20mm Black
26H5	SM354CE.021H5	Hydraulic cylinder
26H6	SN10.S	Steel Nut M10 Zinc
26H7	SCB612.SB	Steel Nut M10 Zinc
26H8	SM354CE.021H8	Bottom Support
26H9	SM354CE.021H9	Support Rod
26H10	SM354CE021H10	Spring Washer
26H11	SCB820.SB	Socket Cap Bolt M6 x 12mm Black
26H12	SM354CE021H12	Hex Socket Cap Screw (M4x25)
26H13	SM354CE021H13	Limit Switch. 10a 250v
26H14	MSP66.SB	Socket Cap Bolt M6 x 12mm Black
26H15	SM354CE021H15	Adjusting Bracket
26H16	SM354CE021H16	Setting Bracket
26H17	GSM66.S	Machine Screw Pan Head M6 x 6mm Black
--	SM355CE.144	Dust Cover M30 (Not Shown)
--	SM355CE.178-3	Oil Sight Lens (Not Shown)

NOTE: It is our policy to continually improve products and as such we reserve the right to alter data, specifications and component parts without prior notice. There may be alternative versions of this product, please contact us should you require this information.

IMPORTANT: No liability is accepted for incorrect use of product. Spare parts must be fitted by a competent person

WARRANTY: Guarantee is 12 months from purchase date, proof of which will be required for any claim.

Sealey Group, Kempson Way, Suffolk Business Park, Bury St Edmunds, Suffolk. IP32 7AR



01284 757500



01284 703534



sales@sealey.co.uk



www.sealey.co.uk