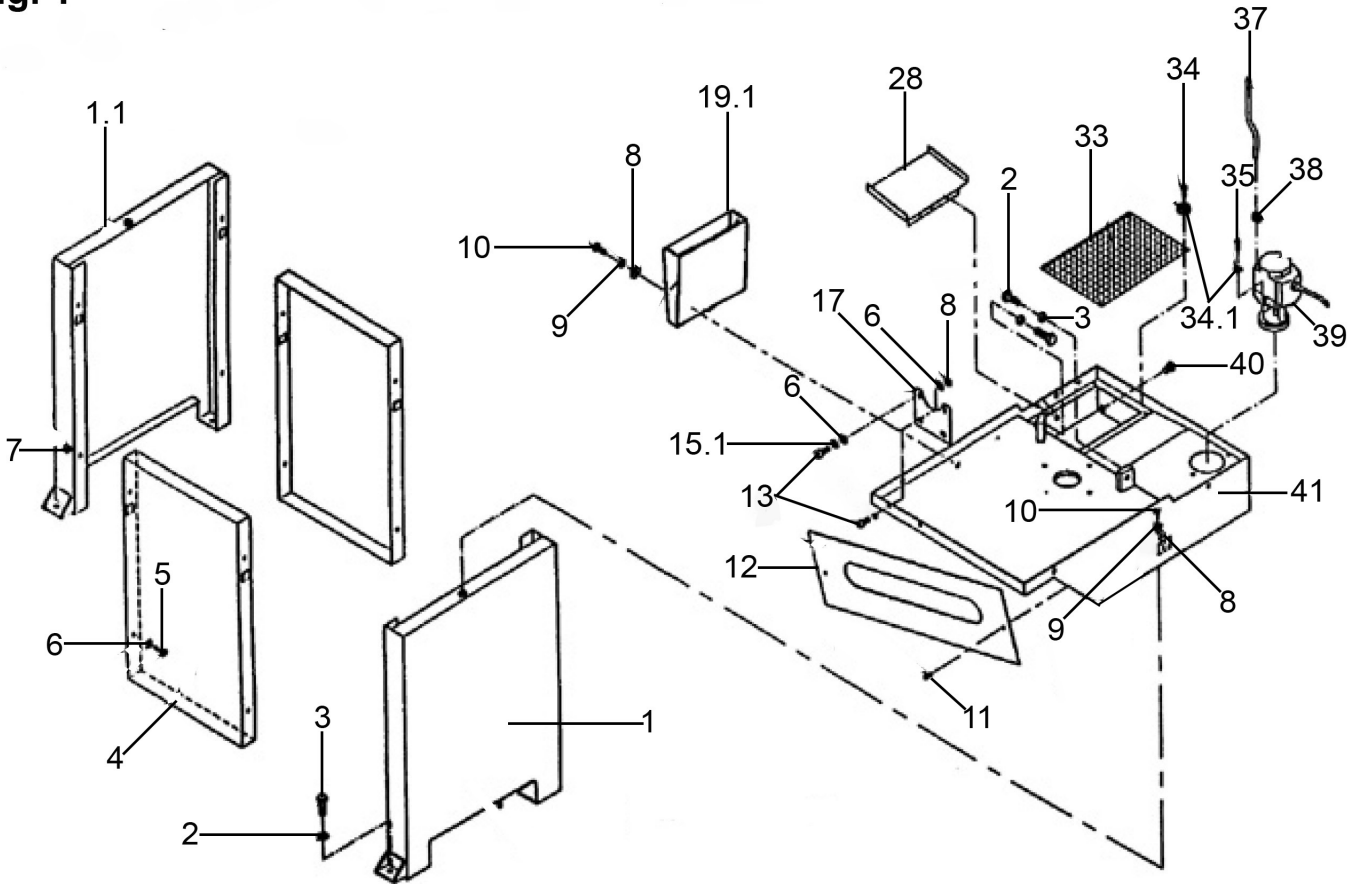


Fig. 1



Item	Part No.	Description
1	SM354CE.001	Base, Right
1.1	SM354CE.001-1	Base, Left
2	SS1240.S	Hex Head Set Screw M12 x 40mm
3	SN12.S	Steel Nut M12
4	SM354CE.004	Cover Plate, Base
5	SS816.S	Hex Head Set Screw M8 x 16mm
6	FWM8.S	Flat Washer M8
7	SN8.S	Steel Nut M8
8	FWM10.S	Flat Washer M10
9	SWM10.S	Spring Washer M10
10	SS1025.S	Hex Head Set Screw M10 x 25mm
11	SCB68.SB	Socket Cap Bolt M6 x 8mm Black
12	SM354CE.012	Plate
13	SCB820.SB	Socket Cap Bolt M8 x 20mm Black
15.1	SWM8.S	Spring Washer M8

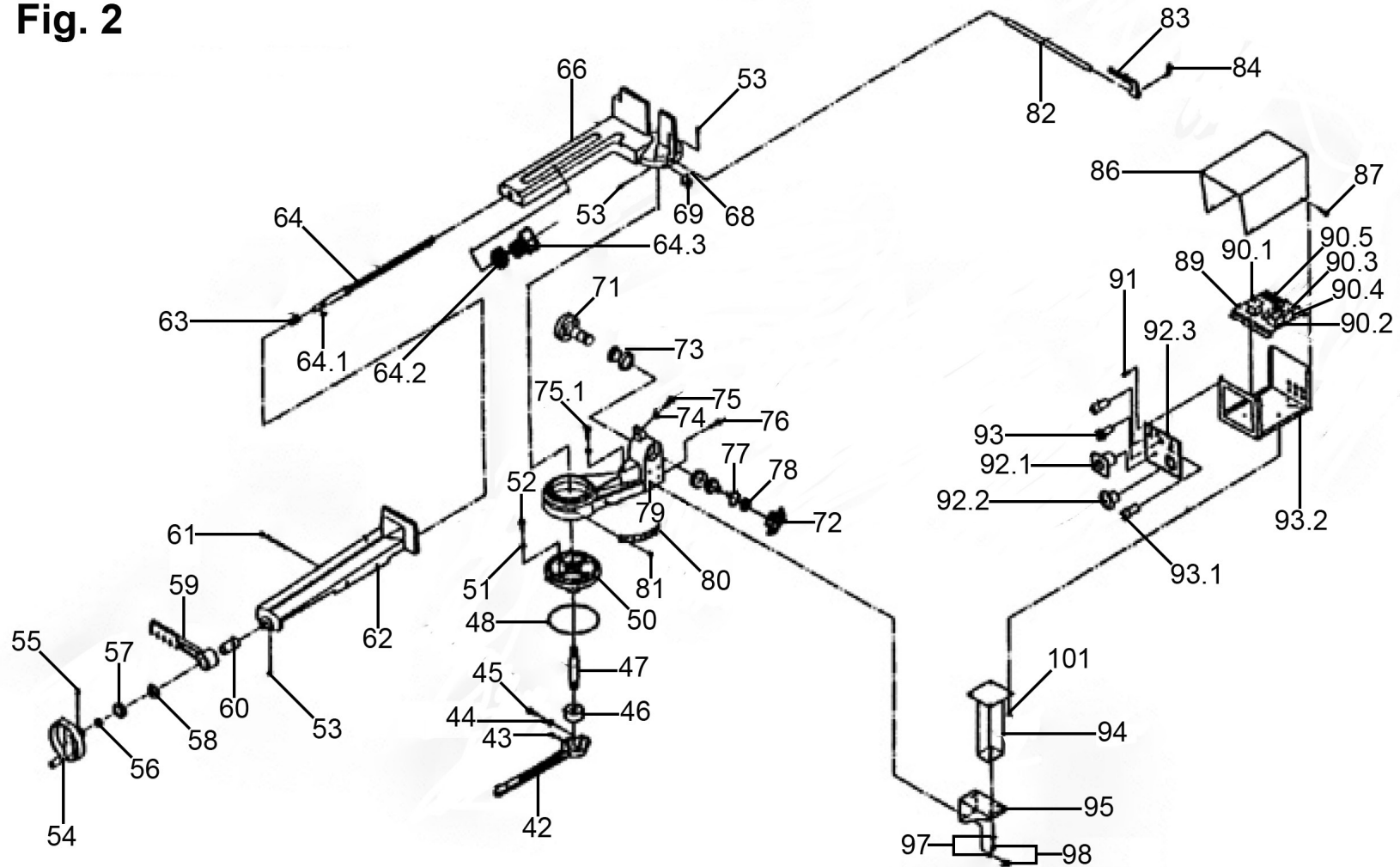
Item	Part No.	Description
17	SM354CE.017	Supporting Plate
19.1	SM354CE.019-1	Support Plate
28	SM354CE.028	Block Plate
33	SM354CE.033	Filter
34	MSP56.S	Machine Screw Pan Head Phillips M5 x 6mm
34.1	FWM5.S	Flat Washer M5
35	SCB525.SB	Socket Cap Bolt M5 x 25mm Black
37	SM354CE.037	Hose
38	SM354CE.038	Hose Clamp
39	SM354CE.039	Pump
40	SM354CE.040	Plug 3/8"
41	SM354CE.041	Coolant Tray
--	SCB612.SB	Socket Cap Bolt M6 x 12mm Black (Not Shown)
--	LS1050V.27	Washer M6 (Not Shown)
--	SN6.S	Steel Nut M6 (Not Shown)

NOTE: It is our policy to continually improve products and as such we reserve the right to alter data, specifications and component parts without prior notice. There may be alternative versions of this product, please contact us should you require this information.

IMPORTANT: No liability is accepted for incorrect use of product. Spare parts must be fitted by a competent person

WARRANTY: Guarantee is 12 months from purchase date, proof of which will be required for any claim.

Fig. 2



NOTE: It is our policy to continually improve products and as such we reserve the right to alter data, specifications and component parts without prior notice.

There may be alternative versions of this product, please contact us should you require this information.

IMPORTANT: No liability is accepted for incorrect use of product. Spare parts must be fitted by a competent person

WARRANTY: Guarantee is 12 months from purchase date, proof of which will be required for any claim.



Parts Information:
Industrial Power Bandsaw 210mm
Model No: SM354CE

Item	Part No.	Description
42	SM354CE.042	Locking Lever
43	GSM1014.S	Grub Screw M10 x 14mm
44	SWM10.S	Spring Washer M10
45	SCB1045.SB	Socket Cap Bolt M10 x 45mm Black
46	SM354CE.046	Nut
47	SM354CE.047	Shaft
48	SM354CE.048	O-Ring
50	SM354CE.050	Disc
51	SWM8.S	Spring Washer M8
52	SCB825.S	Socket Cap Bolt M8 x 25mm
53	GSM810.S	Grub Screw M8 x 10mm
54	SM354CE.054	Hand wheel 5-1/2"
55	GSM612.S	Grub Screw M6 x 12mm
56	SM354CE.056	Nut M20 (c/w Grub Screw)
57	SM354CE.057	Bushing
58	B/51104	Bearing Race
59	SM354CE.059	Lock Handle
60	SM354CE.060	Bushing
61	SCB610.SB	Socket Cap Bolt M6 x 10mm Black
62	SM354CE.062	Table + Vice
63	SM354CE.063	Compressed Spring
64	SM354CE.064	Lead Screw
64.1	SM354CE.064-1	Woodruff Key
64.2	RW825.S	Repair Washer M8 x 25mm
64.3	SCB810.SB	Socket Cap Bolt M8 x 10mm Black
66	SM354CE.066	Vice
68	SCB56.SB	Socket Cap Bolt M5 x 6mm Black
69	SM354CE.069	Scale Point
71	SM354CE.071	Pivot
72	SM354CE.072	Cover
73	B/32006	Bearing
74	SN10.S	Steel Nut M10
75	SS1040.S	Hex Head Set Screw M10 x 40mm

Item	Part No.	Description
75.1	SS1025.S	Hex Head Set Screw M10 x 25mm
76	SM354CE.076	Spring Pin
77	SM354CE.077	Star Washer M30
78	SM355CE.146	Special Nut M30
79	SM354CE.079	Swing Arm
80	SM354CE.080	Scale
81	SM354CE.081	Rivet
82	SM354CE.082	Rod, Stop-Bar
83	SM354CE.083	Rod
84	SM354CE.084	Screw 5/16" x 3/4"
86	SM354CE.086	Hex Socket Cap Screw M5 x 8mm
87	MSP56.S	Machine Screw Pan Head Phillips M5 x 6mm
89	SM354CE.089	Bottom Plate, Control Box
90.1	SM354CE.090-1	Transformer
90.2	SM354CE.090-2	Magnetic Connector
90.3	SM354CE.090-3	Fuse Seat
90.4	SM354CE.090-4	Overload Relay
90.5	SM354CE.090-5	Contact
91	SM354CE.091	Screw M5 x 10mm
92.1	SM354CE092-1A	Main Power Switch
92.2	SM354CE.092-2	Power Indicator Light
92.3	SM354CE.092-3	Emergency Switch
93	SM354CE.093-H	Control Box Panel
93.1	SM354CE.093H1	Manual/Auto Selector
93.2	SM354CE.093H2	Start Button
94	SM354CE.094	Control Box, Bottom
95	SM354CE.095	Support
97	SWM8.S	Spring Washer M8
98	SCB820.SB	Socket Cap Bolt M8 x 20mm Black
101	SCB510.SB	Socket Cap Bolt M5 x 10mm Black
--	SM354CE.085	Cover (Not Shown)
--	SM354CE.092-1	Main Switch (Not Shown)
--	SM354CE.096	Bracket (Not Shown)

NOTE: It is our policy to continually improve products and as such we reserve the right to alter data, specifications and component parts without prior notice. There may be alternative versions of this product, please contact us should you require this information.

IMPORTANT: No liability is accepted for incorrect use of product. Spare parts must be fitted by a competent person

WARRANTY: Guarantee is 12 months from purchase date, proof of which will be required for any claim.

Sealey Group, Kempson Way, Suffolk Business Park, Bury St Edmunds, Suffolk. IP32 7AR



01284 757500



01284 703534

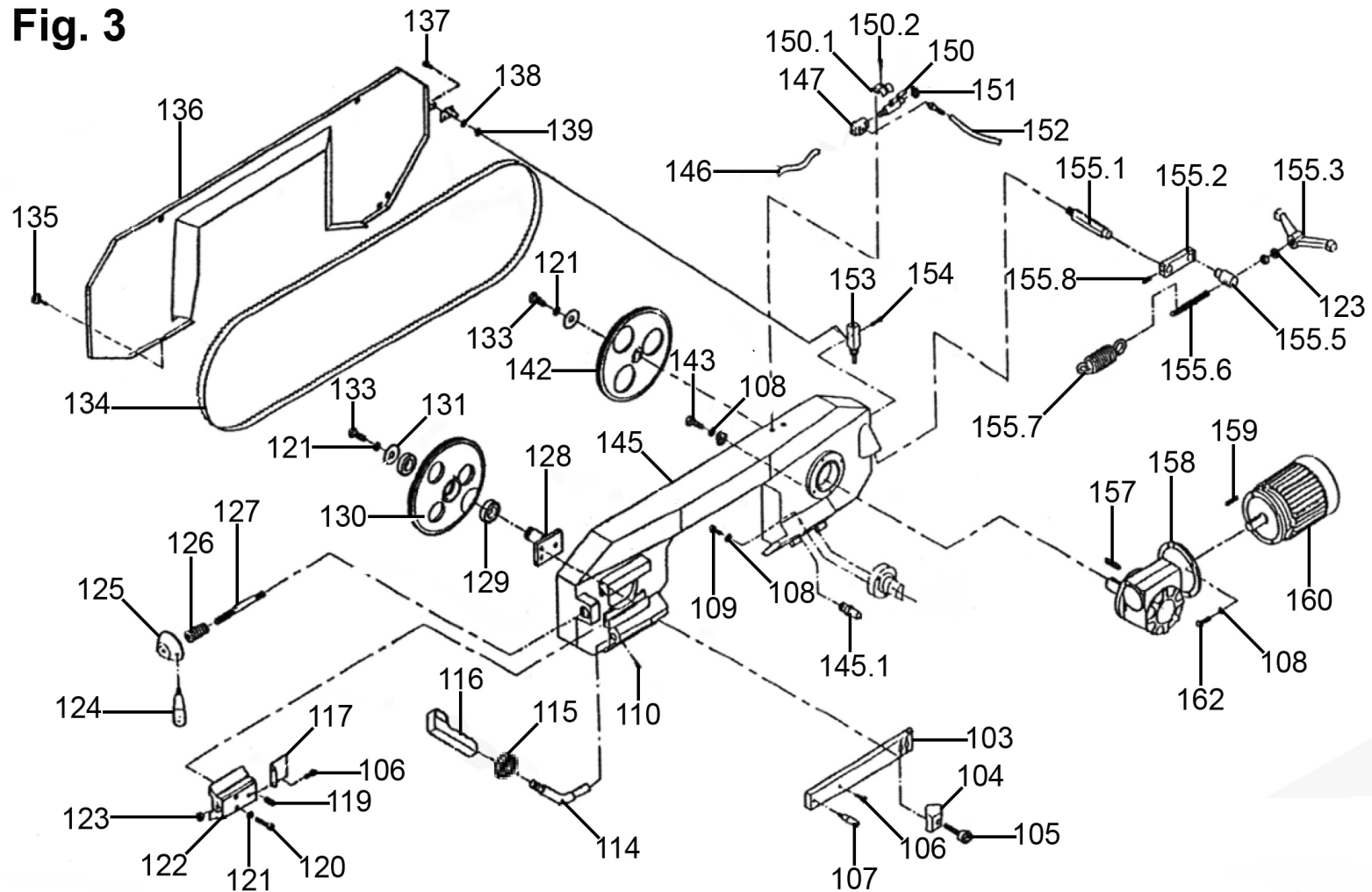


sales@sealey.co.uk



www.sealey.co.uk

Fig. 3



NOTE: It is our policy to continually improve products and as such we reserve the right to alter data, specifications and component parts without prior notice.

There may be alternative versions of this product, please contact us should you require this information.

IMPORTANT: No liability is accepted for incorrect use of product. Spare parts must be fitted by a competent person

WARRANTY: Guarantee is 12 months from purchase date, proof of which will be required for any claim.



Parts Information:
Industrial Power Bandsaw 210mm
Model No: SM354CE

Item	Part No.	Description
103	SM354CE.103	Bearing Bracket
104	SM354CE.104	Bracket
105	SCB1045.SB	Socket Cap Bolt M10 x 45mm Black
106	SCB68.SB	Socket Cap Bolt M6 x 8mm Black
107	SM354CE.107	Plastic Handle
108	SWM8.S	Spring Washer M8
109	SCB825.SB	Socket Cap Bolt M8 x 25mm
110	GSM820.S	Grub Screw M8 x 20mm
114	SM354CE.114	Rod
115	TS10P.58	Half Nut M16 Black
116	SM354CE.116	Trigger Switch (c/w Housing)
117	SM354CE.117	Cover Plate
119	GSM1025.S	Grub Screw M10 x 25mm
120	SCB1040.SB	Socket Cap Bolt M10 x 40mm Black
121	SWM10.S	Spring Washer M10
122	SM354CE.122A	Slide
123	SN16.SB	Steel Nut M16 Black
124	SM354CE.124	Handle
125	SM354CE.125	Handwheel
126	SM354CE.126	Curved Washer
127	SM354CE.127	Tension Shaft
128	SM354CE.128A	Shaft
129	B/6006-2RS	Bearing
130	SM354CE.130	Idle Flywheel
131	SM354CE.131	Spacer
133	SS1025.S	Hex Head Set Screw M10 x 25mm
134	SM354CE.134A	Blade
135	SM355CE.150	Knob
136	SM354CE.136A	Blade Cover
137	MSP46.S	Machine Screw Pan Head Phillips M4 x 6mm
138	FWM4.S	Flat Washer M4
139	SN4.S	Steel Nut M4
142	SM354CE.142	Drive Flywheel
143	SCB835.SB	Socket Cap Bolt M8 x 35mm Black

Item	Part No.	Description
145	SM354CE.145A	Saw Arm
145.1	SM354CE.145-1	Set Shaft
146	SM354CE.146	Hose
147	SM354CE.147	Pipe Fitting
150	SM354CE.150	Coolant Tap
150.1	SM354CE.150-1	Brace
150.2	MSP56.S	Machine Screw Pan Head Phillips M5 x 6mm
151	SM354CE.151	Hose Clamp
152	SM354CE.152	Hose
153	SM355CE.170	Limit Switch
154	MSP430.S	Machine Screw Pan Head Phillips M4 x 30mm
155.1	SM354CE.155H1	Spring Shaft
155.2	SM354CE.155H2	Setting Plate
155.3	SM354CE.155H3	Handle
155.5	SM354CE.155H5	Bushing
155.6	SM354CE.155H6	Adjustable Shaft
155.7	SM354CE.155H7	Spring
155.8	GSM810.S	Grub Screw M8 x 10mm
157	SM354CE.157	Woodruff Key
158	SM354CE.158	Gearbox
159	SM354CE.159	Key
160	SM354CE.160	Motor
162	SS825.S	Hex Head Set Screw M8 x 25mm
--	RWB1040.S	Repair Washer M10 x 40mm Black (Not Shown)
--	FWM8.S	Flat Washer M8 (Not Shown)
--	SM354CE.148A	Pipe Fitting Seat (Not Shown)
--	SM354CE.153-1	Switch Pin (Not Shown)
--	SM354B03	Blade 3TPI (Not Shown)
--	SM354B06	Blade 6TPI (Not Shown)
--	SM354B14	Blade 14TPI (Not Shown)
--	SM354B18	Blade 18TPI (Not Shown)
--	SM354B24	Blade 24TPI (Not Shown)
--	SM354B610BIM	Blade 6/10TPI Vari-Pitch (Not Shown)

NOTE: It is our policy to continually improve products and as such we reserve the right to alter data, specifications and component parts without prior notice. There may be alternative versions of this product, please contact us should you require this information.

IMPORTANT: No liability is accepted for incorrect use of product. Spare parts must be fitted by a competent person

WARRANTY: Guarantee is 12 months from purchase date, proof of which will be required for any claim.

Sealey Group, Kempson Way, Suffolk Business Park, Bury St Edmunds, Suffolk. IP32 7AR



01284 757500



01284 703534

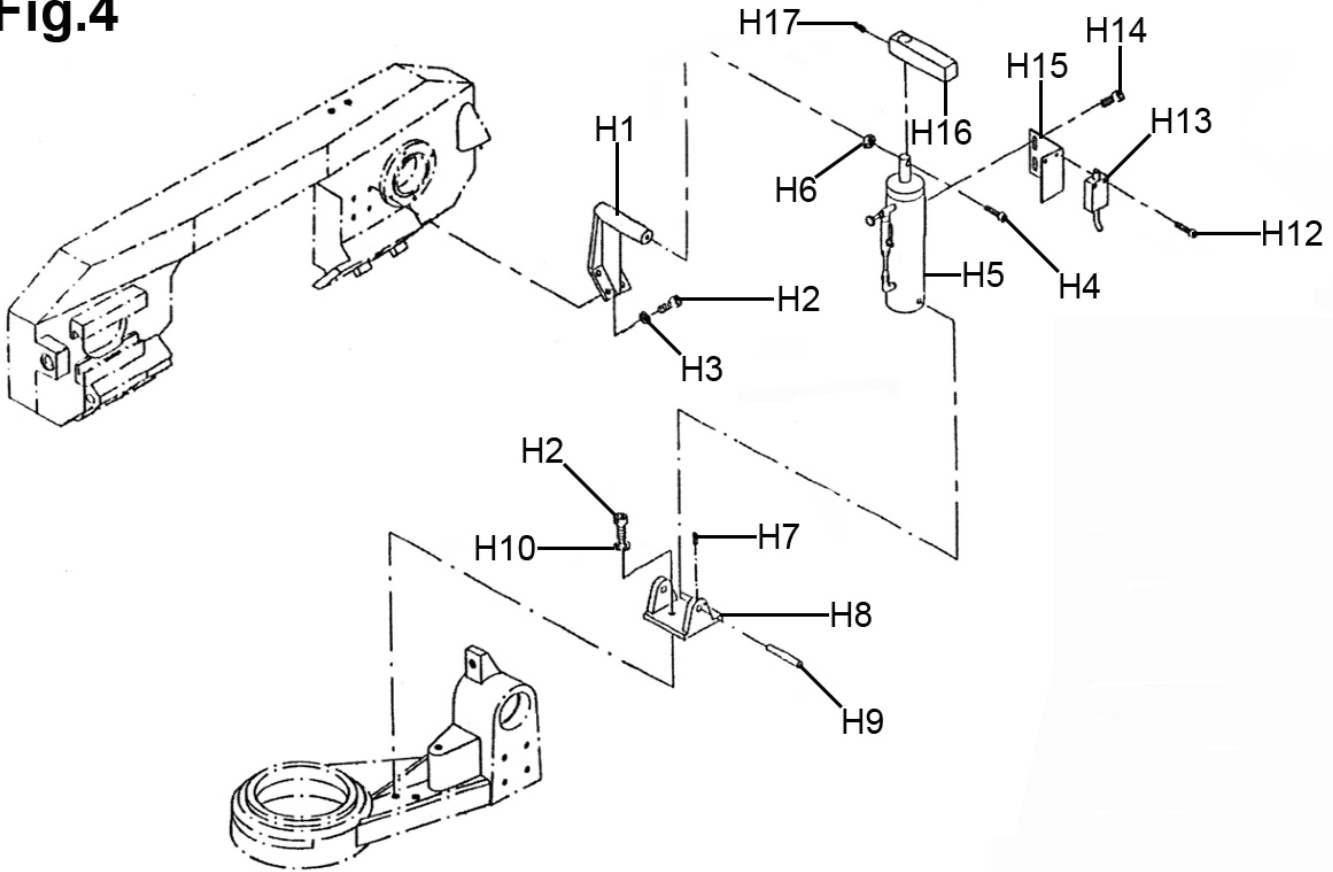


sales@sealey.co.uk



www.sealey.co.uk

Fig.4



Item	Part No.	Description
H1	SM354CE.021H1	Top Support
H2	SCB820.SB	Socket Cap Bolt M8 x 20mm Black
H3	SM354CE.021H3	Spring Washer M8
H4	HHB1050.SB	Hex Head Bolt M10 x 50mm Black
H5	SM354CE.021H5	Hydraulic Cylinder
H6	SN10.S	Steel Nut M10
H7	SCB612.SB	Socket Cap Bolt M6 x 12mm Black
H8	SM354CE.021H8	Bottom Support

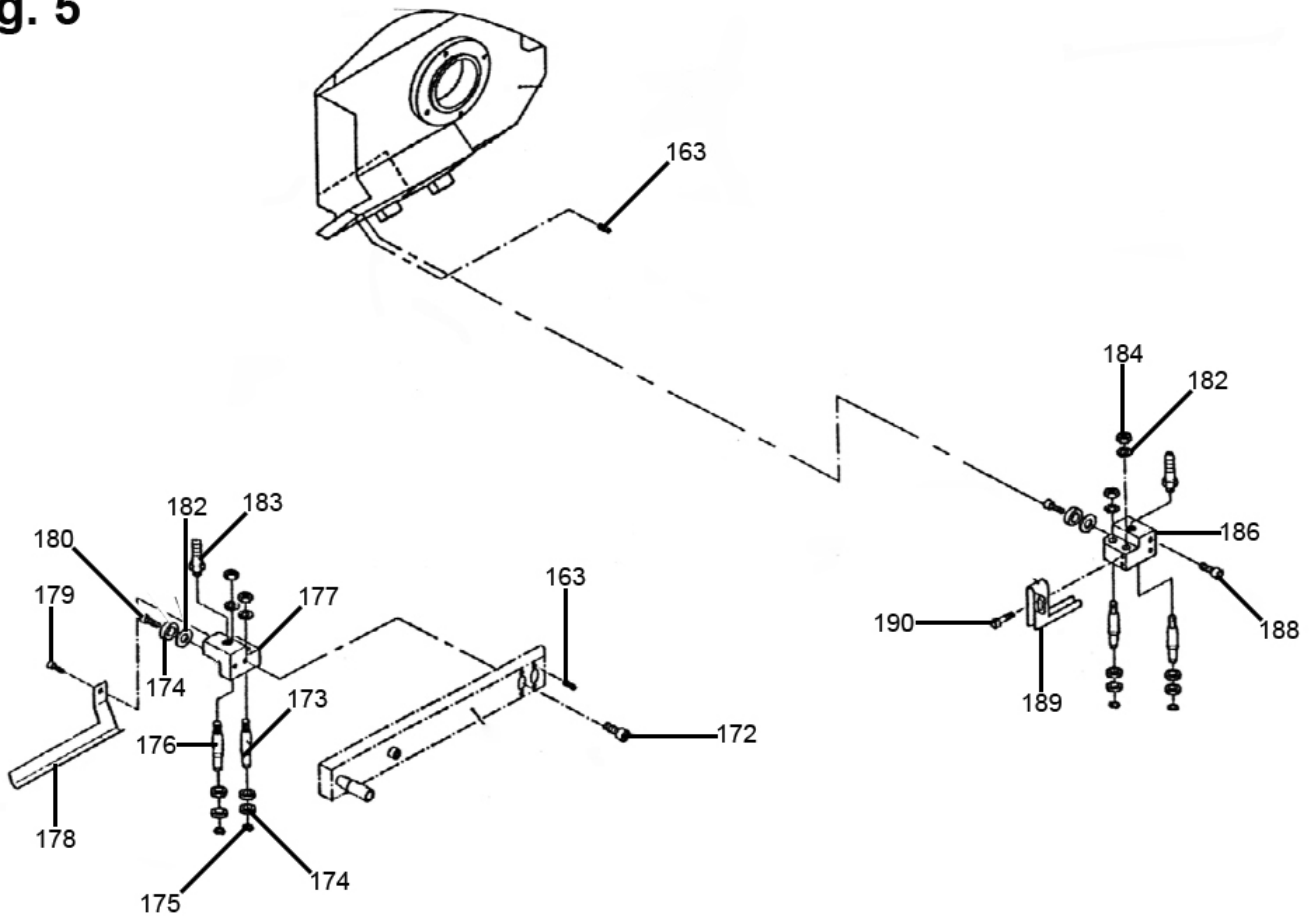
Item	Part No.	Description
H9	SM354CE.021H9	Support Rod
H10	SM354CE021H10	Spring Washer
H12	SM354CE021H12	Hex Socket Cap Screw M4 x 25mm
H13	SM354CE021H13	Limit Switch
H14	MSP66.S	Machine Screw Pan Head Phillips M6 x 6mm
H15	SM354CE021H15	Adjusting Bracket
H16	SM354CE021H16	Setting Bracket
H17	GSM66.S	Grub Screw M6 x 6mm

NOTE: It is our policy to continually improve products and as such we reserve the right to alter data, specifications and component parts without prior notice. There may be alternative versions of this product, please contact us should you require this information.

IMPORTANT: No liability is accepted for incorrect use of product. Spare parts must be fitted by a competent person

WARRANTY: Guarantee is 12 months from purchase date, proof of which will be required for any claim.

Fig. 5



Item	Part No.	Description
163	GSM612.S	Grub Screw M6 x 12mm
172	SCB830.SB	Socket Cap Bolt M8 x 30mm Black
173	SM354CE.173	Centric Shaft
174	B/608ZZ	Bearing
175	SM354CE.175	E-Clip
176	SM354CE.176	Eccentric Shaft
177	SM354CE.177	Bearing Seat, Front
178	SM354CE.178	Blade Guard, Front
179	SM354CE.179	Hex Socket Cap Screw M6 x 8mm

Item	Part No.	Description
180	SM354CE.180	Hex Socket Cap Screw M8 x 20mm
182	SWM8.S	Spring Washer M8
183	SM354CE.183	Pipe Fitting
184	SN8.S	Steel Nut M8
186	SM354CE.186	Bearing Seat, Rear
188	SCB825.S	Socket Cap Bolt M8 x 25mm
189	SM354CE.189	Blade Guard, Rear
190	SCB68.SB	Socket Cap Bolt M6 x 8mm Black

NOTE: It is our policy to continually improve products and as such we reserve the right to alter data, specifications and component parts without prior notice. There may be alternative versions of this product, please contact us should you require this information.

IMPORTANT: No liability is accepted for incorrect use of product. Spare parts must be fitted by a competent person

WARRANTY: Guarantee is 12 months from purchase date, proof of which will be required for any claim.