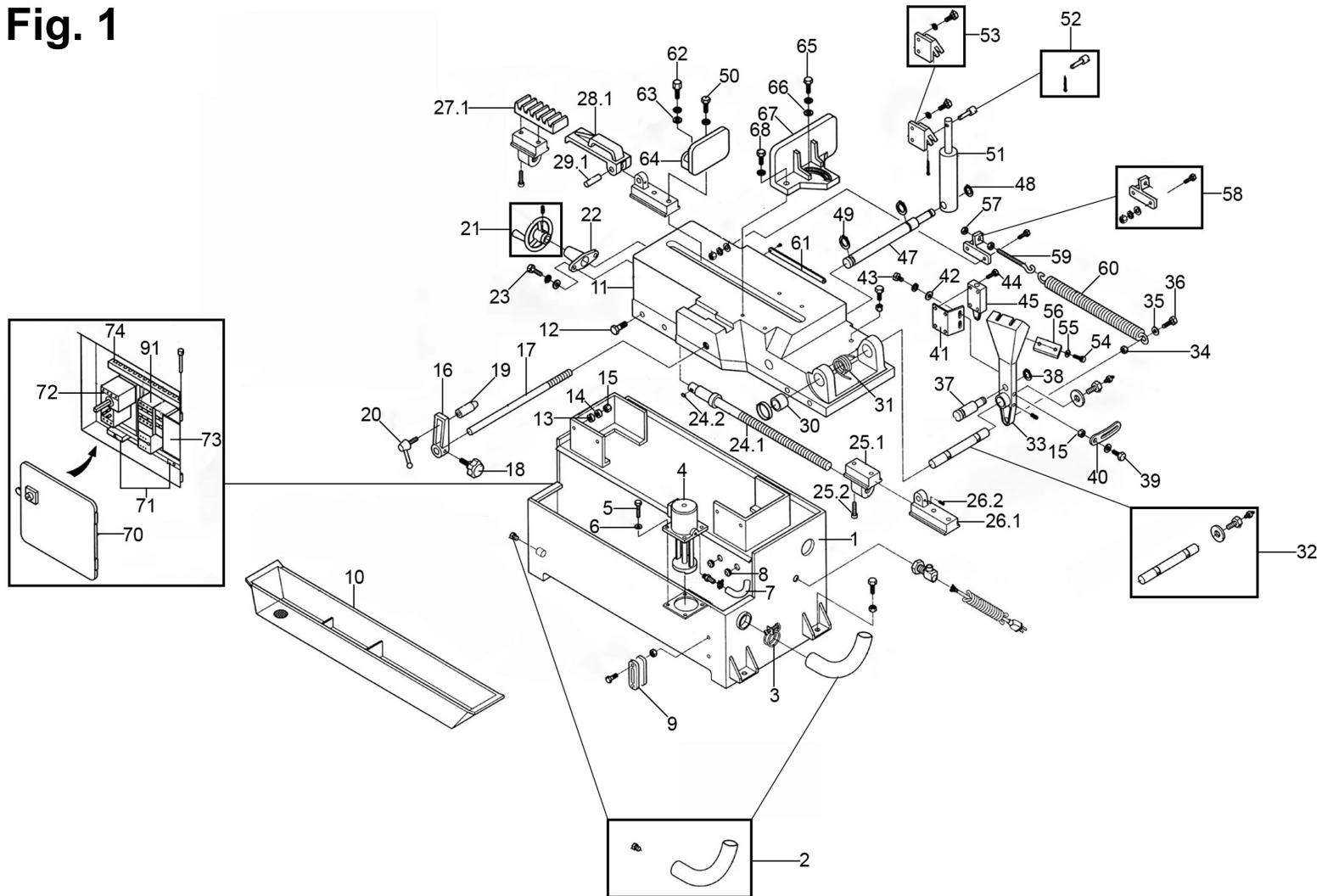


Fig. 1



NOTE: It is our policy to continually improve products and as such we reserve the right to alter data, specifications and component parts without prior notice.

There may be alternative versions of this product, please contact us should you require this information.

IMPORTANT: No liability is accepted for incorrect use of product. Spare parts must be fitted by a competent person

WARRANTY: Guarantee is 12 months from purchase date, proof of which will be required for any claim.



Parts Information:
**Bandsaw 400mm Horizontal Hydraulic
Arm**
Model No: SM353CEV2

Item	Part No.	Description
1	SM353CEV2.001	Base
2	SM353CEV2.002	Hose
3	SM353CEV2.003	Hose Clamp
4	SM353CEV2.004	Coolant Pump
5	SM353CEV2.005	Round Head Screw M6 x 16mm
6	SM353CEV2.006	Lock Washer M6
7	SM353CEV2.007	Hose
8	SM353CEV2.008	Strain Relief
9	SM353CEV2.009	Coolant Gauge
10	SM353CEV2.010	Chip Tray
11	SM353CEV2.011	Bed
12	SM353CEV2.012	Hex Cap Bolt M8 x 30mm
13	SM353CEV2.013	Washer M8
14	SM353CEV2.014	Lock Washer M8
15	SN8.S	Steel Nut M8
16	SM353CEV2.016	Work Stop Bracket
17	SM353CEV2.017	Work Stop Rod
18	SM353CEV2.018	Lock Knob
19	SM353CEV2.019	Work Stop
20	SM353CEV2.020	Lock Handle
21	SM353CEV2.021	Hand Wheel Assembly
22	SM353CEV2.022	Lead Screw Seat
23	SM353CEV2.023	Hex Cap Bolt 5/16" x 3/8"
24.1	SM353CEV2024A	Lead Screw
24.2	SM353CEV2024B	Key
25.1	SM353CEV2025A	Lead Screw Bracket
25.2	SM353CEV2025B	Hex Socket Cap Screw M8 x 25mm
26.1	SM353CEV2026A	Slide Bracket
26.2	SM353CEV2026B	Set Screw M6 x 8mm
27.1	SM353CEV2027A	Rack
28.1	SM353CEV2028A	Rack Block
29.1	SM353CEV2029A	Pin
30	SM353CEV2.030	Bearing Sleeve
31	SM353CEV2.031	Torsion Spring
32	SM353CEV2.032	Pivot Shaft
33	SM353CEV2.033	Pivot Bracket
34	SN12.S	Steel Nut M12
35	SM353CEV2.035	Washer M12
36	SM353CEV2.036	Hex Cap Bolt M12 x 40mm

Item	Part No.	Description
37	SM353CEV2.037	Torsion Spring Shaft
38	SM353CEV2.038	Circlip
39	SM353CEV2.039	Hex Cap Bolt M8 x 30mm
40	SM353CEV2.040	Motor Tilt Plate
41	SM353CEV2.041	Fixing Plate, Limit Switch
42	SM353CEV2.042	Washer M8
43	SM353CEV2.043	Hex Cap Bolt M8 x 20mm
44	SM353CEV2.044	Hex Cap Bolt M6 x 12mm
45	SM353CEV2.045	Limit Switch
47	SM353CEV2.047	Cylinder Pin
48	SM353CEV2.048	Circlip
49	2500LE.19	Circlip
50	SM353CEV2.050	Hex Cap Bolt M12 x 40mm
51	SM353CEV2.051	Hydraulic Cylinder Assembly
52	SM353CEV2.052	Cylinder Pin - Top
53	SM353CEV2.053	Hydraulic Mounting Plate - Top
54	SM353CEV2.054	Hex Cap Bolt M12 x 50mm
55	SM353CEV2.055	Washer M12
56	SM353CEV2.056	Lock Plate
57	SM353CEV2.057	Nut 1/2"
58	SM353CEV2.058	Spring Bracket
59	SM353CEV2.059	Spring Adjustable Rod 1/2"
60	SM353CEV2.060	Spring
61	SM353CEV2.061	Angle Scale
62	SM353CEV2.062	Hex Head Bolt M12 x 40mm
63	SM353CEV2.063	Washer M12
64	SM353CEV2.064	Vice Jaw, Left
65	SS1250.SB	Hex Head Set Screw M12 x 50mm Black
66	SM353CEV2.066	Washer M12
67	SM353CEV2.067	Vice Jaw, Right
68	SS1240.S	Hex Head Set Screw M12 x 40mm
70	SM353CEV2.070	Electrical Panel Cover
71	SM353CEV2.071	Fuse
72	SM353CEV2.072	Switch, Rotary Power
73	SM353CEV2.073	Transformer
74	SM353CEV2.074	Terminal Strip
91	SM353CEV2.091	Overload Switch
--	SM353CEV2001C	Hex Cap Bolt M12 x 65mm (Not Shown)

NOTE: It is our policy to continually improve products and as such we reserve the right to alter data, specifications and component parts without prior notice. There may be alternative versions of this product, please contact us should you require this information.

IMPORTANT: No liability is accepted for incorrect use of product. Spare parts must be fitted by a competent person

WARRANTY: Guarantee is 12 months from purchase date, proof of which will be required for any claim.

Sealey Group, Kempson Way, Suffolk Business Park, Bury St Edmunds, Suffolk. IP32 7AR



01284 757500



01284 703534

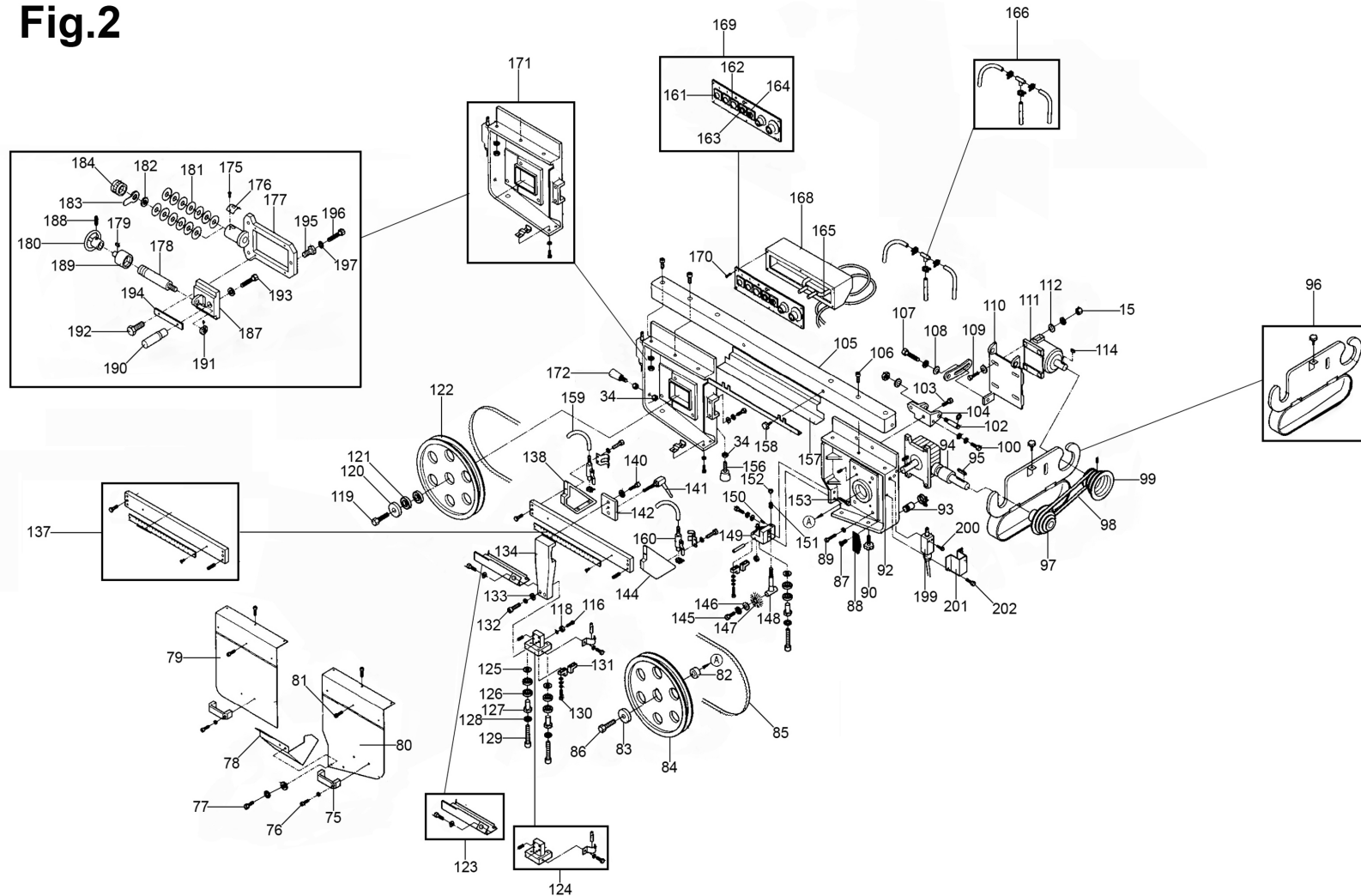


sales@sealey.co.uk



www.sealey.co.uk

Fig.2



NOTE: It is our policy to continually improve products and as such we reserve the right to alter data, specifications and component parts without prior notice.

There may be alternative versions of this product, please contact us should you require this information.

IMPORTANT: No liability is accepted for incorrect use of product. Spare parts must be fitted by a competent person

WARRANTY: Guarantee is 12 months from purchase date, proof of which will be required for any claim.



Parts Information:
**Bandsaw 400mm Horizontal Hydraulic
Arm**
Model No: SM353CEV2

Item	Part No.	Description
15	SN8.S	Steel Nut M8
34	SN12.S	Steel Nut M12
75	SM353CEV2.075	Handle
76	SM353CEV2.076	Round Head Screw M6 x 12mm
77	SM353CEV2.077	Hex Cap Bolt M6 x 10mm
78	SM353CEV2.078	Wire Brush Guard
79	SM353CEV2.079	Blade Wheel Cover, Left
80	SM353CEV2.080	Blade Wheel Cover, Right
81	SM353CEV2.081	Hex Socket Cap Screw M6 x 8mm
82	SM353CEV2.082	Bushing
83	SM353CEV2.083	Washer
84	SM353CEV2.084	Drive Wheel
85	SM353CEV2.085	Blade
86	SM353CEV2.086	Hex Cap Bolt M12 x 20mm
87	SM353CEV2.087	Round Head Screw M5 x 10mm
88	SM353CEV2.088	Filter Screen
89	SM353CEV2.089	Hex Cap Bolt M12 x 35mm
90	SM353CEV2.090	Knob, Locking
92	SM353CEV2.092	Blade Wheel Box, Right
93	SM353CEV2.093	Connector
94	SM353CEV2.094	Gear Box Assembly
95	SM353CEV2.095	Key
96	SM353CEV2.096	Pulley Cover
97	SM353CEV2.097	Gear Box Pulley
98	V/A39	V-Belt
99	SM353CEV2.099	Motor Pulley
100	SM353CEV2.100	Hex Cap Bolt M8 x 16mm
102	SM353CEV2.102	Support Shaft
103	SM353CEV2.103	Hex Cap Bolt M12 x 35mm
104	SM353CEV2.104	Motor Mount Bracket
105	SM353CEV2.105	Column
106	SM353CEV2.106	Hex Socket Cap Screw M12 x 20mm
107	SM353CEV2.107	Hex Cap Bolt M8 x 25mm
108	SM353CEV2.108	Washer M8
109	SM353CEV2.109	Hex Cap Bolt M8 x 45mm

Item	Part No.	Description
110	SM353CEV2.110	Motor Mount Plate
111	SM353CEV2.111	Motor
112	SM353CEV2.112	Washer M8
114	SM353CEV2.114	Key
116	SM353CEV2.116	Hex Socket Cap Screw M8 x 20mm
118	B/608ZZ	Bearing
119	SM353CEV2.119	Hex Cap Bolt M12 x 35mm
120	SM353CEV2.120	Washer M12
121	B/6205Z	Bearing
122	SM353CEV2.122	Idler Wheel
123	SM353CEV2.123	Blade Guard
124	SM353CEV2.124	Guide Bracket, Left
125	SM353CEV2.125	Washer M8 x 25mm
126	B/6201ZZ	Bearing
127	SM353CEV2.127	Centric Sleeve
128	SM353CEV2.128	Lock Washer M8
129	SCB845.SB	Socket Cap Bolt M8 x 45mm Black
130	SM353CEV2.130	Hex Socket Cap Screw M6 x 30mm
131	SM353CEV2.131	Tungsten Carbide Blade Guide
132	SCB840.SB	Socket Cap Bolt M8 x 40mm Black
133	SM353CEV2.133	Lock Washer M8
134	SM353CEV2.134	Adjustable Bracket
137	SM353CEV2.137A	Slide Assembly
138	SM353CEV2.138	Blade Bracket, Left
140	SM353CEV2.140	Hex Cap Bolt M8 x 25mm
141	SM353CEV2.141	Lock Handle 3/8" x 30mm
142	SM353CEV2.142	Stationary Plate
144	SM353CEV2.144	Blade Bracket, Right
145	SM353CEV2.145	Hex Cap Bolt M6 x 12mm
146	SM353CEV2.146	Washer M6
147	SM353CEV2.147	Wire Brush
148	SM353CEV2.148	Wire Brush Rod
149	SM353CEV2.149	Guide Bracket, Right
150	SM353CEV2.150	Spring

NOTE: It is our policy to continually improve products and as such we reserve the right to alter data, specifications and component parts without prior notice. There may be alternative versions of this product, please contact us should you require this information.

IMPORTANT: No liability is accepted for incorrect use of product. Spare parts must be fitted by a competent person

WARRANTY: Guarantee is 12 months from purchase date, proof of which will be required for any claim.

Sealey Group, Kempson Way, Suffolk Business Park, Bury St Edmunds, Suffolk. IP32 7AR



01284 757500



01284 703534



sales@sealey.co.uk



www.sealey.co.uk



Parts Information:
**Bandsaw 400mm Horizontal Hydraulic
Arm**
Model No: SM353CEV2

Item	Part No.	Description
151	SM353CEV2.151	Set Screw M6 x 8mm
152	SN10.S	Steel Nut M10
153	SM353CEV2.153	Hex Socket Cap Screw M8 x 45mm
156	SM353CEV2.156	Stand Bolt M12 x 50mm
157	SM353CEV2.157	Blade Guard
158	SM353CEV2.158	Knob, Locking
159	SM353CEV2.159	Hose
160	SM353CEV2.160	Adjusting Valve
161	SM353CEV2.161	Power Indicator Light
162	SM353CEV2.162	Switch, Start
163	SM353CEV2.163	Switch, Stop
164	SM353CEV2.164	Switch, Power Rotary
165	SM353CEV2.165	Speed Control Valve
166	SM353CEV2.166	Connection Tube
168	SM353CEV2.168	Control Box
169	SM353CEV2.169	Control Panel
170	SM353CEV2.170	Round Head Screw M5 x 8mm
171	SM353CEV2.171	Wheel Box, Left
172	SM353CEV2.172	Handle
175	SM353CEV2.175	Round Head Screw M5 x 10mm
176	SM353CEV2.176	Indicator Scale
177	SM353CEV2.177	Slide Bracket
178	SM353CEV2.178	Tension Shaft
179	SM353CEV2.179	Key
180	SM353CEV2.180	Handwheel

Item	Part No.	Description
181	SM353CEV2.181	Disc, Spring
182	SM353CEV2.182	Flat Washer
183	SM353CEV2.183	Tension Indicator
184	B/51104	Bearing Race
187	SM353CEV2.187	Slide
188	SM353CEV2.188	Set Screw 5/16" x 3/8"
189	SM353CEV2.189	Extension Bar
190	SM353CEV2.190	Blade Wheel Shaft
191	SN16.S	Steel Nut M16
192	SM353CEV2.192	Hex Socket Cap Screw M8 x 20mm
193	SM353CEV2.193	Hex Socket Cap Screw M12 x 20mm
194	SM353CEV2.194	Gib
195	SM353CEV2.195	Hex Cap Bolt M16 x 30mm
196	SM353CEV2.196	Hex Cap Bolt M10 x 60mm
197	SM353CEV2.197	Lock Washer M10
199	SM353CEV2.199	Limit Switch
200	SM353CEV2.200	Round Head Screw 5/32" x 32mm
201	SM353CEV2.201	Housing, Limit Switch
202	SM353CEV2.202	Round Head Screw M5 x 8mm
--	SM353CEV2104B	Nut 1/2" (Not Shown)
--	SM353CEV2.135	Scale (Not Shown)
--	SM353CEV2.136	Hex Socket Cap Screw M10 x 25mm (Not Shown)
--	SM353CEV2.137	Slide (Not Shown)
--	SM353CEV2.143	Set Screw M8 x 10mm (Not Shown)

NOTE: It is our policy to continually improve products and as such we reserve the right to alter data, specifications and component parts without prior notice. There may be alternative versions of this product, please contact us should you require this information.

IMPORTANT: No liability is accepted for incorrect use of product. Spare parts must be fitted by a competent person

WARRANTY: Guarantee is 12 months from purchase date, proof of which will be required for any claim.

Sealey Group, Kempson Way, Suffolk Business Park, Bury St Edmunds, Suffolk. IP32 7AR



01284 757500



01284 703534



sales@sealey.co.uk



www.sealey.co.uk