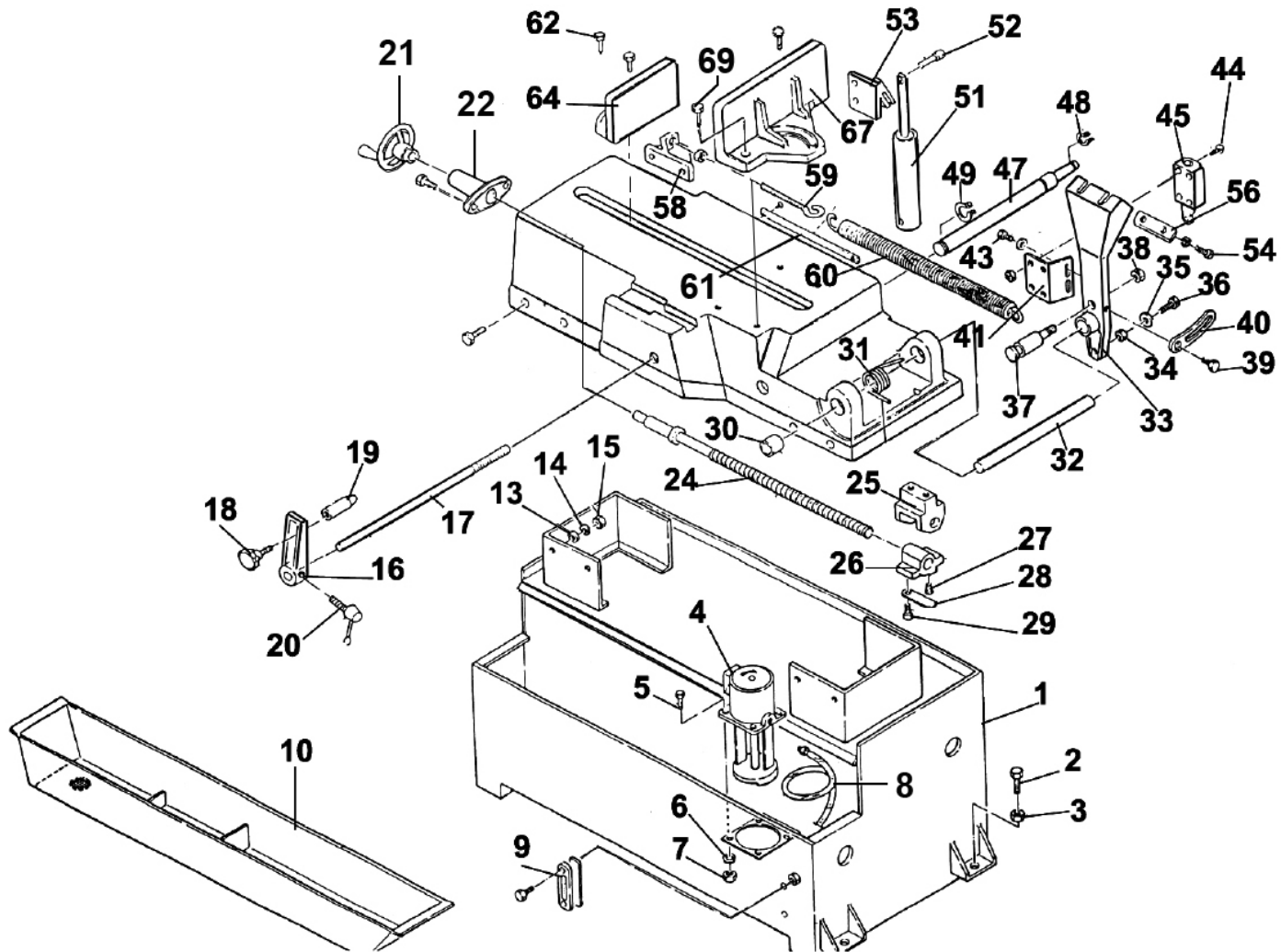


Parts Information:
Bandsaw 400mm Horizontal Hydraulic Arm
Model No: SM353CE



NOTE: It is our policy to continually improve products and as such we reserve the right to alter data, specifications and component parts without prior notice.

There may be alternative versions of this product, please contact us should you require this information.

IMPORTANT: No liability is accepted for incorrect use of product. Spare parts must be fitted by a competent person

WARRANTY: Guarantee is 12 months from purchase date, proof of which will be required for any claim.

Sealey Group, Kempson Way, Suffolk Business Park, Bury St Edmunds, Suffolk. IP32 7AR



01284 757500



01284 703534



sales@sealey.co.uk



www.sealey.co.uk



Parts Information:
**Bandsaw 400mm Horizontal Hydraulic
Arm**
Model No: SM353CE

Item	Part No.	Description
1	SM353CE/001	Base
2	SM353CE/002	Screw
3	SM353CE/003	Nut
4	SM35H/103	Pump, Coolant
5	SM353CE/005	Screw, M6x20
6	SM353CE/006	Washer, Spring, M6
7	SN6.S	Steel Nut M6 Zinc
8	SM353CE/008	Hose, 13mm
9	SM353CE/009	Gauge, Oil
10	SM353CE/010	Tray
13	SM353CE/013	Washer
14	SM353CE/014	Washer, Spring, M8
15	SM353CE/015	Nut
16	SM353CE/016	Bracket, Work Stop
17	SM353CE/017	Rod, Work Stop
18	SM353CE/018	Knob
19	SM353CE/019	Screw
20	SM353CE/020	Screw, Locking
21	SM353CE/021	Wheel Assembly, Hand
22	SM353CE/022	Seat, Lead Screw
24	SM353CE/024	Screw, Vice Lead,
25	SM353CE/025	Bracket, Lead Screw
26	SM353CE/026	Nut, Acme
27	SM35H/053	Button
28	SM35H/054	Retainer
29	MSP58.S	Machine Screw Pan Head Phillips M5 X 8mm
30	SM353CE/030	Bearing
31	SM353CE/031	Spring, Torsion
32	SM353CE/032	Shaft, Pivot

Item	Part No.	Description
33	SM353CE/033	Bracket, Pivot
34	SN12.S	Steel Nut M12 Zinc
35	SM353CE/035	Washer, M12
36	SM353CE/036	Screw, M12x40
37	SM353CE/037	Shaft, Torsion Spring
38	SM353CE/038	Nut, 7/8 p14
39	SM353CE/039	Screw, M8x25
40	SM353CE/040	Plate, Motor Tilt
41	SM353CE/041	Plate, Limit Switch
43	SM353CE/043	Screw, M8x20
44	SM353CE/044	Screw
45	SM353CEV2.045	Limit Switch
47	SM353CE/047	Pin, Cylinder
48	SM353CE/048	Ring, C-Snap, S-20
49	SM353CE/049	Ring, C-Snap, S-25
51	SM353CE/051	Cylinder Assembly, Hyd
52	SM353CE/052	Pin, Cylinder Top
53	SM353CE/053	Plate
54	SM353CE/054	Screw
56	SM353CE/056	Spacer
58	SM353CE/058	Bracket, Spring
59	SM353CE/059	Rod, Spring Adjustable
60	SM353CE/060	Spring
61	SM353CE/061	Scale, Angle
62	SM353CE/062	Screw, M12x35
64	SM353CE/064	Jaw, Vice, Left
67	SM353CE/067	Jaw, Vice, Right
69	SM353CE/069	Screw, m6x8

NOTE: It is our policy to continually improve products and as such we reserve the right to alter data, specifications and component parts without prior notice. There may be alternative versions of this product, please contact us should you require this information.

IMPORTANT: No liability is accepted for incorrect use of product. Spare parts must be fitted by a competent person

WARRANTY: Guarantee is 12 months from purchase date, proof of which will be required for any claim.

Sealey Group, Kempson Way, Suffolk Business Park, Bury St Edmunds, Suffolk. IP32 7AR



01284 757500



01284 703534



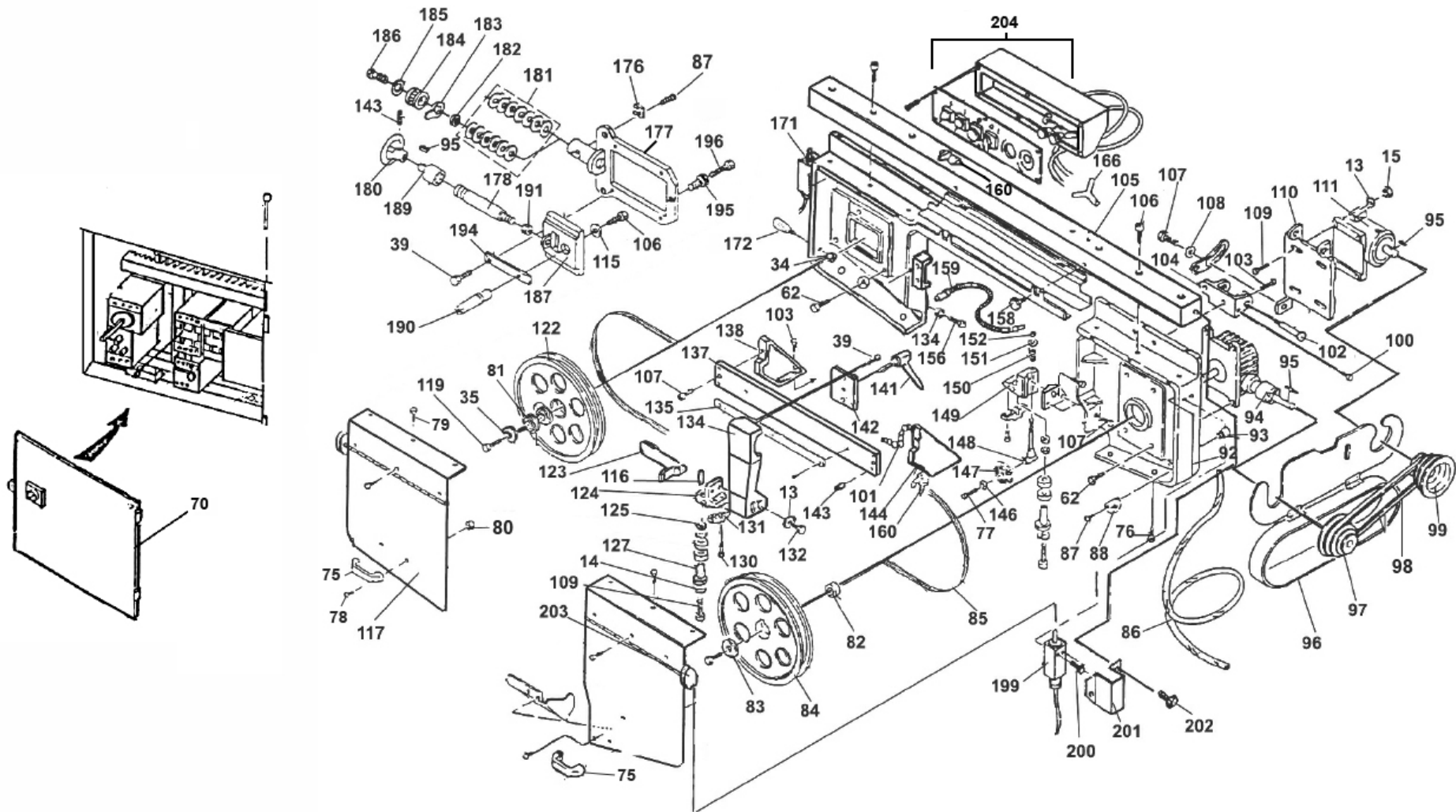
sales@sealey.co.uk



www.sealey.co.uk



Parts Information:
Bandsaw 400mm Horizontal Hydraulic Arm
Model No: SM353CE



NOTE: It is our policy to continually improve products and as such we reserve the right to alter data, specifications and component parts without prior notice.

There may be alternative versions of this product, please contact us should you require this information.

IMPORTANT: No liability is accepted for incorrect use of product. Spare parts must be fitted by a competent person

WARRANTY: Guarantee is 12 months from purchase date, proof of which will be required for any claim.

Sealey Group, Kempson Way, Suffolk Business Park, Bury St Edmunds, Suffolk. IP32 7AR



01284 757500



01284 703534



sales@sealey.co.uk



www.sealey.co.uk



Parts Information:
**Bandsaw 400mm Horizontal Hydraulic
 Arm**
Model No: SM353CE

Item	Part No.	Description
70	SM353CE/070	Box, electronic control
75	SM353CE/075	Handle
76	SM353CE/076	Screw
77	SM353CE/077	Screw, m6x10
78	SM353CE/078	Screw
79	SM353CE/079	Screw
80	SM353CE/080	Nut
81	SM353CE/081	Bushing
82	SM353CE/082	Bushing
83	SM353CE/083	Washer
84	SM353CE/084	Drive Wheel
85	SM353CE/085	Bandsaw Blade 3035 x 25 x 0.89mm 4/6tpi Bi-Metal
86	SM353CE/086	Hose, 30mm
87	SM353CE/087	Screw
88	SM353CE/088	Gauze
92	SM353CE/092	Box, Blade Wheel, Right
93	SM353CE/093	Connector
94	SM353CE/094	Gear Box Assy
95	SM353CE/095	Key
96	SM353CE/096	Cover, Pulley
97	SM353CE/097	Pulley, Gear Box
98	V/A39	V-belt (id-1000) A39
99	SM353CE/099	Pulley, Motor
100	SM353CE/100	Screw, M8x16
101	SM353CE/101	Nozzle, Flexible
102	SM353CE/102	Shaft, Support
103	SM353CE/103	Screw
104	SM353CE/104	Bracket, Motor Mount
105	SM353CE/105	Column
106	SM353CE/106	Screw
107	SM353CE/107	Screw
108	SM353CE/108	Washer, 10mm
109	SM353CE/109	Screw, M8x45

Item	Part No.	Description
110	SM353CE/110	Plate, Motor Mount
111	SM353CE/111	Motor+Key
115	SM353CE/115	Washer
116	SM353CE/116	Shaft, Eccentric
117	SM353CE/117	Cover
119	SM353CE/119	Screw, M12x35
122	SM353CE/122	Idle Wheel
123	SM353CE/123	Guard, Blade
124	SM353CE/124	Bracket, Left Guide
125	SM353CE/125	Limit Switch ac500v (5amps)
127	SM353CE/127	Eccentric Sleeve
130	SM353CE/130	Screw
131	SM353CE/131	Guide
132	SM353CE/132	Screw
134	SM353CE/134	Mount, Adjustable Bracket
135	SM353CE/135	Scale, Angle
137	SM353CE/137	Bar
138	SM353CE/138	Bracket, Blade, Left
141	SM353CE/141	Knob
142	SM353CE/142	Plate, Stationary
143	SM353CE/143	Screw
144	SM353CE/144	Bracket, Blade, Right
146	SM353CE/146	Washer
147	SM353CE/147	Brush, Wire
148	SM353CE/148	Rod
149	SM353CE/149	Bracket & Plate Guide/R
150	SM353CE/150	Spring
151	SM353CE/151	Washer
152	SM353CE/152	Nut
156	SM353CE/156	Screw
158	SM353CE/158	Knob
159	SM353CE/159	Nozzle, Flexible
160	SM353CE/160	Valve, Adjusting

NOTE: It is our policy to continually improve products and as such we reserve the right to alter data, specifications and component parts without prior notice. There may be alternative versions of this product, please contact us should you require this information.

IMPORTANT: No liability is accepted for incorrect use of product. Spare parts must be fitted by a competent person

WARRANTY: Guarantee is 12 months from purchase date, proof of which will be required for any claim.

Sealey Group, Kempson Way, Suffolk Business Park, Bury St Edmunds, Suffolk. IP32 7AR



01284 757500



01284 703534



sales@sealey.co.uk



www.sealey.co.uk



Parts Information:
**Bandsaw 400mm Horizontal Hydraulic
Arm**
Model No: SM353CE

Item	Part No.	Description
166	SM353CE/166	Head, Connection
171	SM353CE/171	Box, Wheel, Left
172	SM353CE/172	Handle, Blade Cover
176	SM353CE/176	Scale
177	SM353CE/177	Bracket
178	SM353CE/178	Shaft, Tension
180	SM353CE/180	Wheel, Hand
181	SM353CE/181	Washer
182	SM353CE/182	Washer, Flat Steel
183	SM353CE/183	Indicator, Tension
184	SM353CE/184	Bearing 51104njc
185	SM353CE/185	Washer
186	SM353CE/186	Screw
187	SM353CE/187	Slide
189	SM353CE/189	Bar, Extension
190	SM353CE/190	Plate, Blade Wheel Bracket
191	SN16.S	Steel Nut M16 Zinc
194	SM353CE/194	Plate, Flat

Item	Part No.	Description
195	SM353CE/195	Screw, M16x30
196	SM353CE/196	Screw, M10x55
199	SM353CEV2.199	Limit Switch ac500v (5amps)
200	SM353CE/200	Screw, 5/32x32
201	SM353CE/201	Guard
202	SM353CE/202	Screw, M6x15
203	SM353CE/203	Eccentric,
204	SM353CE/S	Switch assy
--	SM353CE/B04	Bandsaw Blade 3035 x 25 x 0.89mm 4tpi-(Not Shown)
--	SM353CE/B08	Bandsaw Blade 3035 x 25 x 0.89mm 8tpi-(Not Shown)
--	SM353CE/B14	Bandsaw Blade 3035 x 25 x 0.89mm 14tpi-(Not Shown)
--	C/400-125	Capacitor,400mfd-125vac-(Not Shown)
--	B608ZZ	Bearing-(Not Shown)
--	B/6201ZZ	Bearing-(Not Shown)
--	B/6205Z	Bearing-(Not Shown)

NOTE: It is our policy to continually improve products and as such we reserve the right to alter data, specifications and component parts without prior notice. There may be alternative versions of this product, please contact us should you require this information.

IMPORTANT: No liability is accepted for incorrect use of product. Spare parts must be fitted by a competent person

WARRANTY: Guarantee is 12 months from purchase date, proof of which will be required for any claim.

Sealey Group, Kempson Way, Suffolk Business Park, Bury St Edmunds, Suffolk. IP32 7AR



01284 757500



01284 703534



sales@sealey.co.uk



www.sealey.co.uk