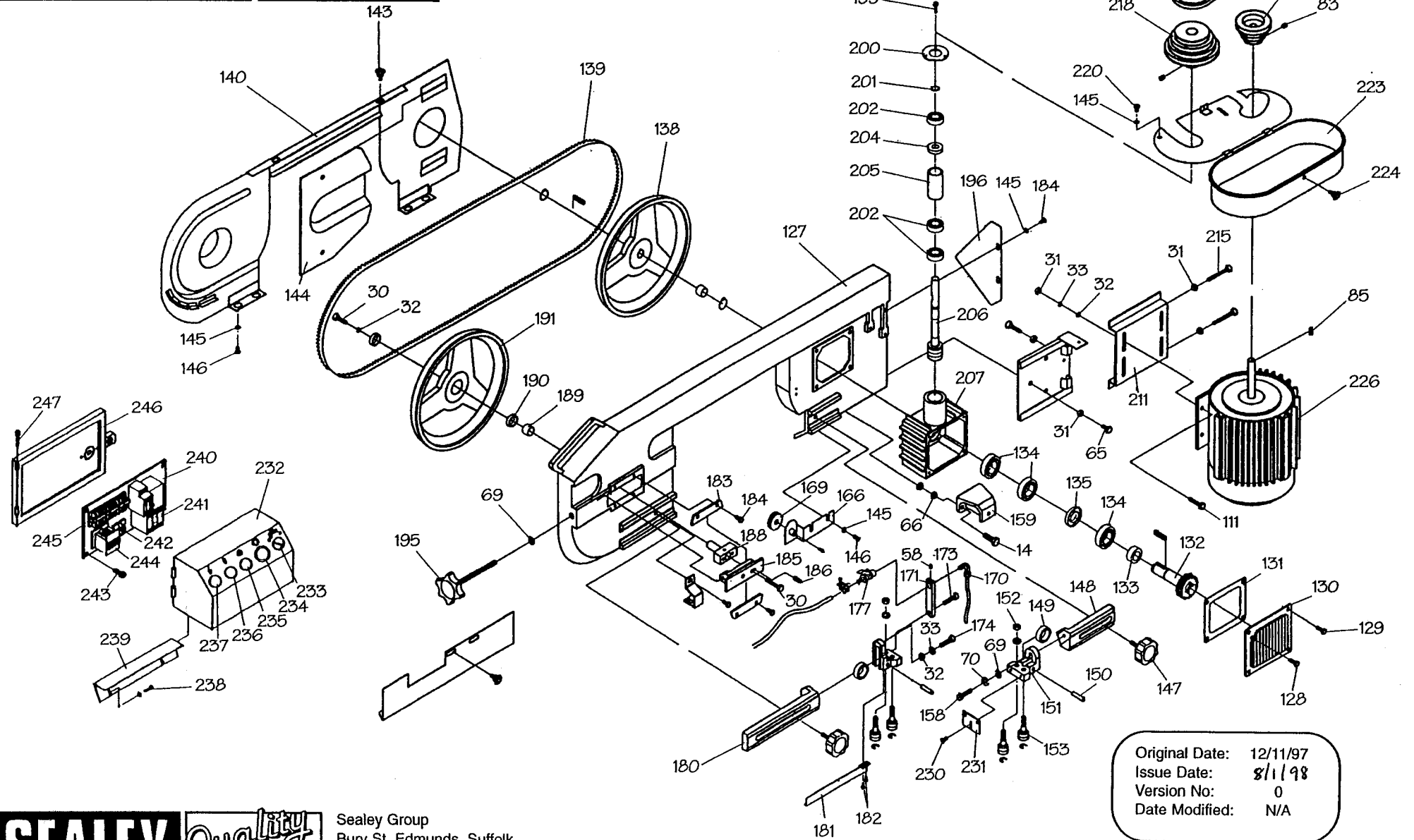


Diagram 1 for
10" INDUSTRIAL POWER BANDSAW
Model No: SM3525CE



Original Date: 12/11/97
 Issue Date: 8/1/98
 Version No: 0
 Date Modified: N/A

**Parts List for
10" INDUSTRIAL POWER BANDSAW
Model No: SM3525CE**

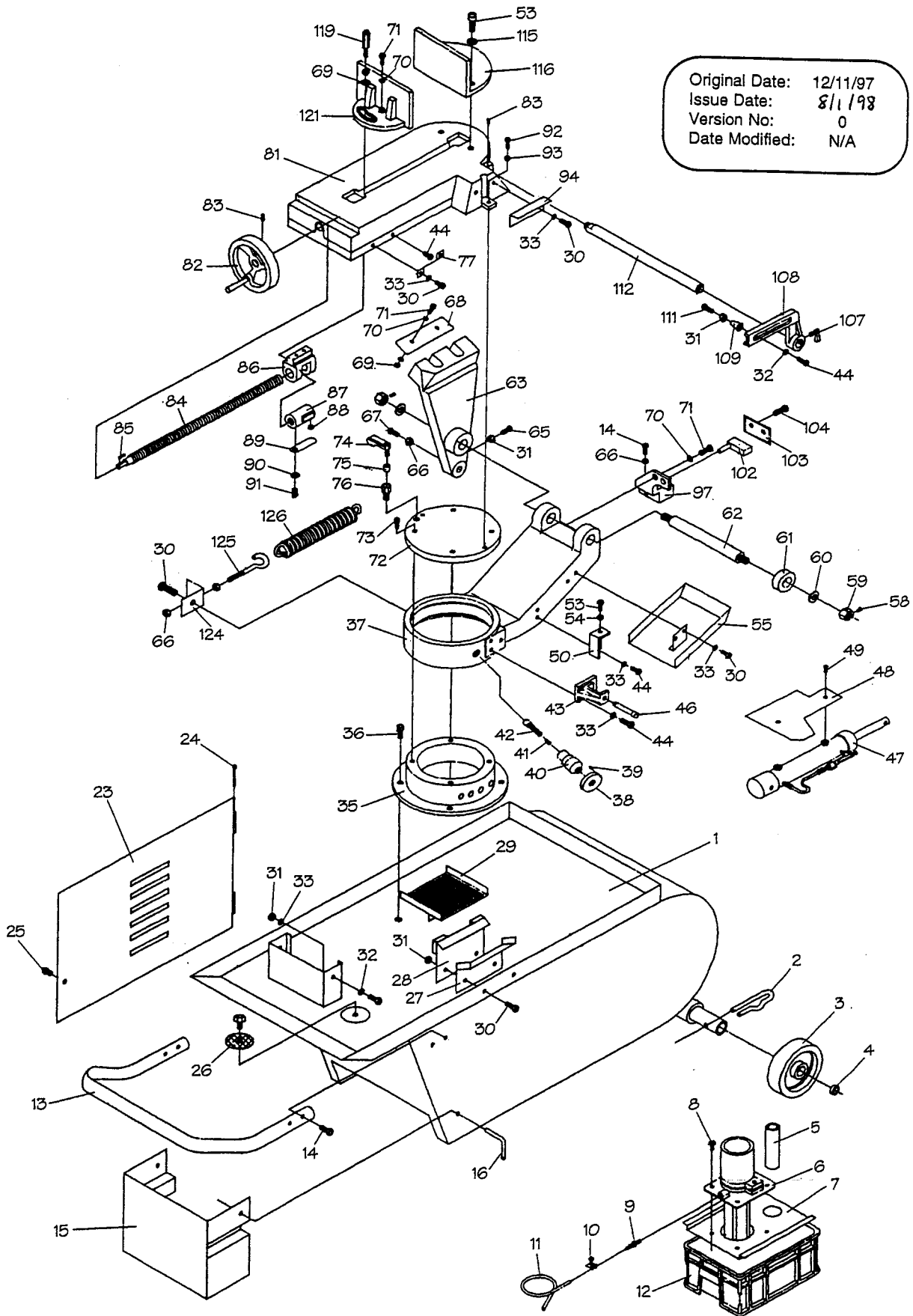
Item	Part No	Description	Qty
129	SM3525CE/129	Hex Head Screw	4
130	SM3525CE/130	Gear Box Cover	1
131	SM3525CE/131	Gear Box Gasket	1
132	SM3525CE/132	Worm Gear	1
133	SM3525CE/133	Bearing Bushing	1
134	B/6005	Ball Bearing	3
135	SM3525CE/135	Oil Seal	1
136	SM35H/117	Key, 6mm	2
138	SM35H/124	Rear Blade Wheel	1
139	SM35/B04	Sawblade, 4 Skip	1
	SM35/B08	Sawblade, 8 tpi	
	SM35/B14	Sawblade, 14 tpi	
	SM35/B18	Sawblade, 18 tpi	
	SM35/B24	Sawblade, 24 tpi	
140	SM35H/128	Blade Back Cover	1
143	SM3525CE/143	Plum Screw	2
144	SM35H/144	Wheel Cover	1
145	SM35H/149	Washer	10
146	SM35H/148	Round Head Screw	6
147	SM3525CE/147	Guide Adjustable Knob	2
148	SM3525CE/148	Adjustable Bracket (rear)	1
149	B/608ZZ	Ball Bearing	2
150	SM35H/135	Bearing Pin	2
151	SM3525CE/151	Blade Adjustable Seat	1
152	SM35H/137	Nut	4
153	SH35H/136	Eccentric Shaft	4
158	SM35H/161	Hex Socket Screw	2
159	SM3525CE/159	Top Support	1
166	SM3525CE/166	Brush Holder	1
169	SM3525CE/169	Brush	1
170	SM3525CE/170	Nozzle	1
171	SM35H/158	Nozzle Support	1
173	SM3525CE/173	Hex Socket Cap Screw	1
174	SM3525CE/174	Hex Socket Cap Screw	1
177	SM3525CE/177	Valve	1
180	SM3525CE/180	Adjustable Valve (front)	1
181	SM3525CE/181	Blade Guard	1
182	SM3525CE/182	Round Head Screw	2
183	SM35H/166	Sliding Guide Plate	2
184	SM35H/165	Hex Head Screw	6
185	SM35H/169	Blade Tension Slide Block	1
186	SM35H/167	Set Screw	1
188	SM35H/171	Sliding Draw Block	1
189	SM3525CE/189	Bearing Brushing	1
190	B/6203ZZ	Ball Bearing	2
191	SM35H/175	Front Blade Wheel	1
195	SM35H/181	Adjustable Handle	1
196	SM3525CE/196	Support Plate	1

Item	Part No	Description	Qty
199	SM3525CE/199	Hex Socket Screw	3
200	SM3525CE/200	Bearing Guide	1
201	SM3525CE/201	C-Ring	1
202	B/6003	Ball Bearing	3
203	SM3525CE/203	Block Plate	1
204	SM3525CE/204	Oil Seal	1
205	SM3525CE/205	Bearing Bushing	1
206	SM3525CE/206	Worm Shaft	1
207	SM3525CE/207	Gear Box	1
211	SM3525CE/211	Motor Mount Plate	1
215	SM3525CE/215	Hex Head Screw	2
217	V/M27	V-Belt	1
218	SM3525CE/218	Worm Pulley	1
219	SM3525CE/219	Motor Pulley	1
220	SM35H/028	Hex Head Screw	2
223	SM3525CE/223	Pulley Cover	1
224	SM3525CE/224	Plum Screw	1
226	SM3525CE/226	Motor	1
230	SM3525CE/230	Screw	2
	SM3525CE/S	Switch Assembly	1
232	SM3525CE/232	Switch Box	1
233	SM3525CE/233	Pump Select Button	1
234	SM3525CE/234	Emergency Stop Button	1
235	SM3525CE/235	Stop Button	1
236	SM3525CE/236	Start Button	1
237	SM3525CE/237	Lamp	1
238	SM3525CE/238	Screw	2
239	SM3525CE/239	Switch Mount Bracket	1
240	SM3525CE/240	Circuit Board	1
241	SM3525CE/241	Magnetic Contactor	1
242	SM3525CE/242	Fuse	1
243	SM3525CE/243	Screw	4
244	SM3525CE/244	Transformer	1
245	SM3525CE/245	Terminal Strip	1
246	SM3525CE/246	Back Cover	1
247	SM3525CE/247	Pin	2



Diagram 2 for
10" INDUSTRIAL POWER BANDSAW
Model No: SM3525CE

Original Date: 12/11/97
Issue Date: 8/1/98
Version No: 0
Date Modified: N/A



Item	Part No	Description	Qty	Item	Part No	Description	Qty
1	SM3525CE/001	Base	1	61	SM3525CE/061	Nut	1
2	SM3525CE/002	Cotter Pin	2	62	SM3525CE/062	Support Shaft	1
3	SM3525CE/003	Wheel, 8"	2	63	SM3525CE/063	Pivot Arm	1
4	SM3525CE/004	Washer	2	65	SM3525CE/065	Hex Head Screw	4
5	SM35H/102	Hose	1	66	SM35H/063	Nut	6
6	SM35H/103	Cooling Pump	1	67	SM35H/083	Hex Head Screw	1
7	SM35H/106	Tank Cover	1	68	SM3525CE/068	Plate	1
8	SM35H/104	Hex Head Screw	4	69	SM35H/022	Washer	6
9	SM3525CE/009	Pump Connection Head	1	70	SM35H/023	Spring Washer	6
10	SM35H/109	Hose Clamp (R-13)	1	71	SM35H/070	Hex Head Screw	4
11	SM35H/110	Hose	1	72	SM3525CE/072	Base Upper Disc	1
12	SM35H/107	Tank	1	73	SM3525CE/073	Hex Head Screw	4
13	SM3525CE/013	Handle	1	74	SM3525CE/074	Lock Handle	1
14	SM35H/062	Hex Head Screw	7	75	SM3525CE/075	Bronze Bushing	1
15	SM3525CE/015	Base of Leg	1	76	SM3525CE/076	Thrust Shaft	1
16	SM3525CE/016	90° Pin	2	77	SM3525CE/077	Bracket	1
23	SM3525CE/023	Door	1	81	SM3525CE/081	Table	1
24	SM3525CE/024	Pin	2	82	SM35H/047	Handle Wheel	1
25	SM3525CE/025	Lock Knob	1	83	SM35H/071	Set Screw	4
26	SM3525CE/026	Filter	1	84	SM35H/050	Lead Screw	1
27	SM3525CE/027	Bracket	1	85	SM35H/049	Key, 5mm	2
28	SM3525CE/028	Bracket	1	86	SM3525CE/086	Lead Screw Bracket	1
29	SM3525CE/029	Chip Guide Plate	1	87	SM35H/052	Acme Nut	1
30	SM35H/013	Hex Head Screw	12	88	SM35H/053	Button	1
31	SM35H/017	Nut	15	89	SM35H/054	Retainer	1
32	SM35H/015	Washer	9	90	SM35H/090	Spring Washer	1
33	SM35H/014	Spring Washer	17	91	SM3525CE/091	Round Head Screw	2
35	SM3525CE/035	Swivel Base Bottom	1	92	SM3525CE/092	Hex Socket Cap Screw	2
36	SM3525CE/036	Hex Socket Cap Screw	4	93	SM3525CE/093	Spring Washer	1
37	SM3525CE/037	Swivel Base	1	94	SM3525CE/094	Top Support	2
38	SM3525CE/038	Adjustable Handle	1	97	SM3525CE/097	90° Support	1
39	SM3525CE/039	Key	1	102	SM3525CE/102	Limit Switch	1
40	SM3525CE/040	Thrust Shaft	1	103	SM3525CE/103	Limit Switch Box	1
41	SM3525CE/041	Spring	1	104	SM3525CE/104	Hex Head Screw	1
42	SM3525CE/042	Disc Thrust Shaft	1	107	SM3525CE/107	Knob	1
43	SM3525CE/043	Bottom Support	1	108	SM3525CE/108	Stop Bracket	1
44	SM35H/040	Hex Head Screw	8	109	SM3525CE/109	Thumb Screw	1
46	SM3525CE/046	Support Rod	1	111	SM35H/111	Hex Head Screw	5
47	SM3525CE/047	Hydraulic Cylinder	1	112	SM35H/112	Stop Rod	1
48	SM3525CE/048	Cylinder Cover	1	115	SM3525CE/115	Spring Washer	2
49	SM3525CE/049	Round Head Screw	2	116	SM3525CE/116	Rear Vice	1
50	SM3525CE/050	Support Plate	1	119	SM3525CE/119	Screw Handle	1
53	SM3525CE/053	Hex Head Screw	3	121	SM3525CE/121	Front Vice	1
54	SM3525CE/054	Nut	1	124	SM3525CE/124	Spring Bracket	1
55	SM3525CE/055	Splash Guard	1	125	SM3525CE/125	Spring Adjusting Rod	1
58	SM35H/077	Set Screw	3	126	SM3525CE/126	Spring	1
59	SM3525CE/059	Nut	2	127	SM3525CE/127	Saw Arm	1
60	SM3525CE/060	Washer	2	128	SM3525CE/128	Vent Plug	1