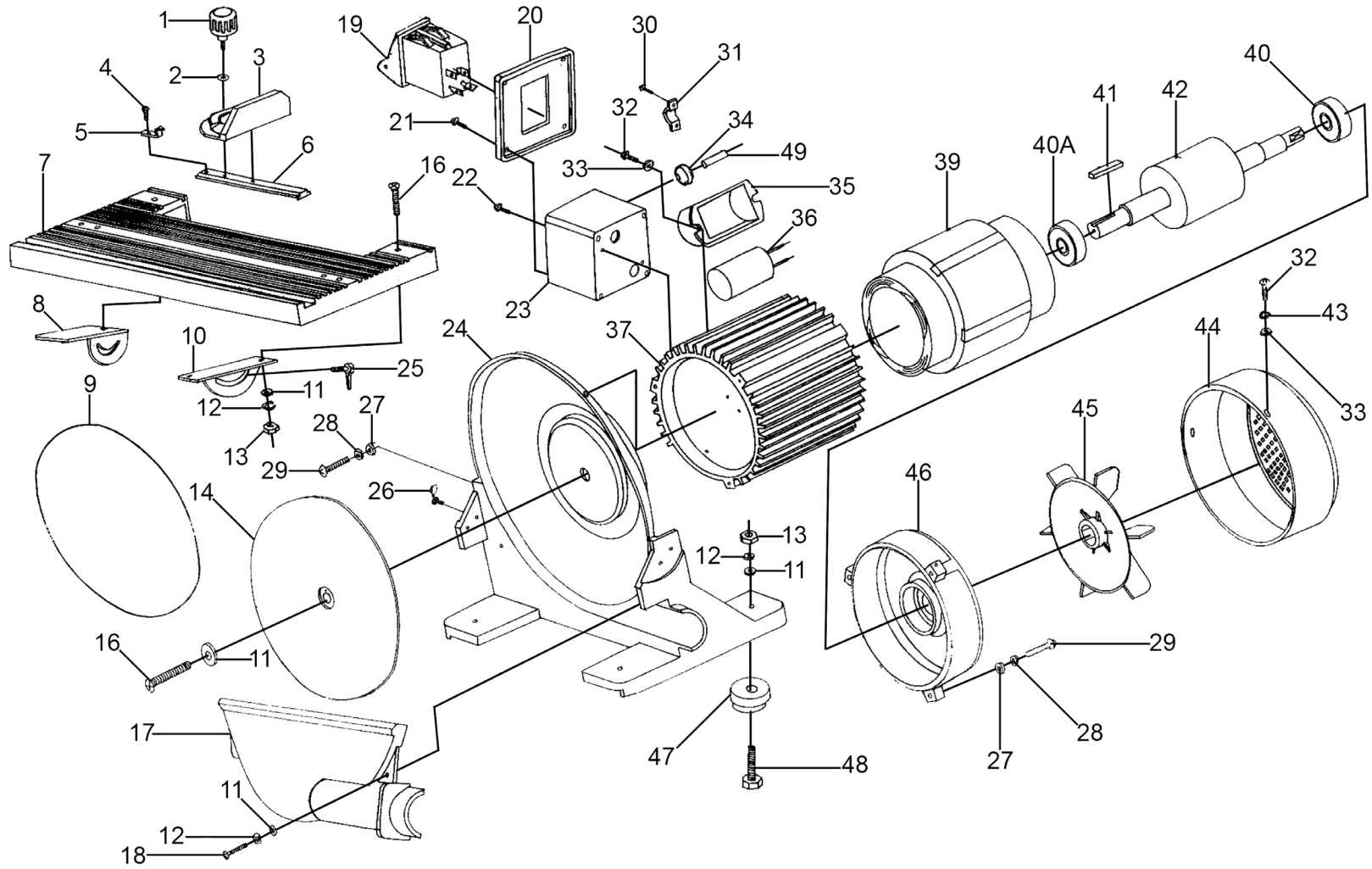




Parts Information:
Disc Sander Bench Mounting Ø305mm 750W/230V
Model No: SM31.V4



NOTE: It is our policy to continually improve products and as such we reserve the right to alter data, specifications and component parts without prior notice.

There may be alternative versions of this product, please contact us should you require this information.

IMPORTANT: No liability is accepted for incorrect use of product. Spare parts must be fitted by a competent person

WARRANTY: Guarantee is 12 months from purchase date, proof of which will be required for any claim.

Sealey Group, Kempson Way, Suffolk Business Park, Bury St Edmunds, Suffolk. IP32 7AR

01284 757500 | sales@sealey.co.uk | www.sealey.co.uk



Parts Information:
**Disc Sander Bench Mounting Ø305mm
750W/230V
Model No: SM31.V4**

Item	Part No.	Description
1	SM31.V3-01	Lock
2	SM31.V3-02	Rubber Washer M6
3	SM31.V3-03	Mitre Scale
4	SM31.V3-04	Screw M4 x 6mm
5	SM31.V3-05	Indicator
6	SM31.V3-06	Guide Bar
7	SM31.V4-07	Working Table (Grey)
8	SM31.V3-08	Table Support (L)
9	SM31/38	Sanding Disc Ø305mm 80Grit PSA
10	SM31.V3-10	Table Support (R)
11	SWM6.S	Spring Washer M6 Zinc
12	FWM6.S	Flat Washer M6 Zinc
13	SN6.S	Steel Nut M6 Zinc
14	SM31.V3-14	Backing Disc
16	SM31.V3-16	Screw
17	SM31.V4-17	Dust Chute Cover (Grey)
18	SM31.V3-18	Screw M6 x 20mm
19	SDM30.V2-37	Magnetic Press Button Switch
20	SM31.V3-20	Switch Cover
21	SM31.V3-21	Rd Head S/T Screw M3.8 x 12mm
22	MSP412.S	Machine Screw Pan Head Phillips M4 x 12mm
23	SM31.V3-23	Wiring Box
24	SM31.V4-24	Disc Guard (Grey)
25	SM31.V3-25	Switch Lever

Item	Part No.	Description
26	SM31.V3-26	Screw
27	FWM5.S	Flat Washer M5 Zinc
28	SWM5.SB	Spring Washer M5 Black
29	SM31.V3-29	Screw M5 x 25mm
30	SM31.V3-30	Rd Head S/T Screw M2.8 x 14mm
31	SM31.V3-31	Wire Clamp
32	MSP48.S	Machine Screw Pan Head Phillips M4 x 8mm
33	FWM4.S	Flat Washer M4
34	SM31.V3-34	Wire Protection Ring
35	SM31.V3-35	Box
36	SM31.V3-36	Capacitor 20uf CBB60 450AC 50/60hz 75x40
37	SM31.V3-37	Motor Housing
39	SM31.V3-39	Stator
40	B/6203ZZ	Bearing 6203ZZ
40A	B/6204ZZ	Bearing 6204Z
41	SM31.V3-41	Woodruff Key
42	SM31.V3-42	Rotor
43	SWM4.SB	Spring Washer M4 Black
44	SM31.V3-44	Fan Cover
45	SM31.V3-45	Fan
46	SM31.V3-46	End Cover, Motor
47	SM31.V3-47	Rubber Pad
48	SS635.S	Hex Head Set Screw M6 x 35mm
49	SM31.V3-49	Wire Tube

NOTE: It is our policy to continually improve products and as such we reserve the right to alter data, specifications and component parts without prior notice. There may be alternative versions of this product, please contact us should you require this information.

IMPORTANT: No liability is accepted for incorrect use of product. Spare parts must be fitted by a competent person

WARRANTY: Guarantee is 12 months from purchase date, proof of which will be required for any claim.

Sealey Group, Kempson Way, Suffolk Business Park, Bury St Edmunds, Suffolk. IP32 7AR



01284 757500



sales@sealey.co.uk



www.sealey.co.uk