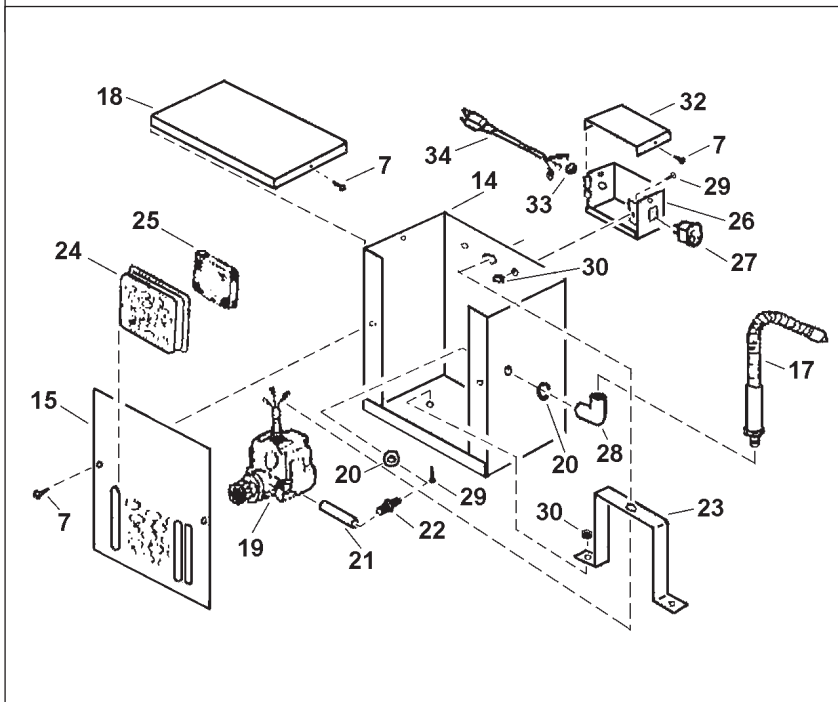


Item	Part No.	Description
1	SM30/A01	Body
2	SM30/A02	Cover
3	SM30/A03	Safety Lever
4	SM30/A04	Pan Screw
6	SM30/A06	Safety Plate
7	SM30/A07	Tapping Screw
8	SM30/A08	Plug, Oil
9	SM30/A09	Shelf
10	SM30/A10	Leg
11	SM30/A11	Pan Screw
12	SM30/A12	Toothed Washer
13	SM30/A13	Hex. Nut
14	SM30/A14	Pump Housing
15	SM30/A15	Housing Front Cover
17	SM30/A17	Flex. Hose
18	SM30/A18	Housing Top
19	SM30/A19	Pump
20	SM30/A20	Washer
21	SM30/A21	Fluid Hose
22	SM30/A22	Nipple Connector
23	SM30/A23	Pump Anchor
24	SM30/A24	Filter Bracket
25	SM30/A25	Non-woven Fabrics
26	SM30/A26	Switch Box
27	SM30/A27	Light Switch
28	SM30/A28	90O Connector
29	SM30/A29	Pan Screw
30	SM30/A30	Hex. Nut
32	SM30/A32	Switch Box Cover
33	SM30/A33	Feed Through
34	SM30/A34	Power Cord
35	SM30/A35	Shelf
36	SM30/A36	Basket



Issue: 1
 Issue Date: 09/09/08