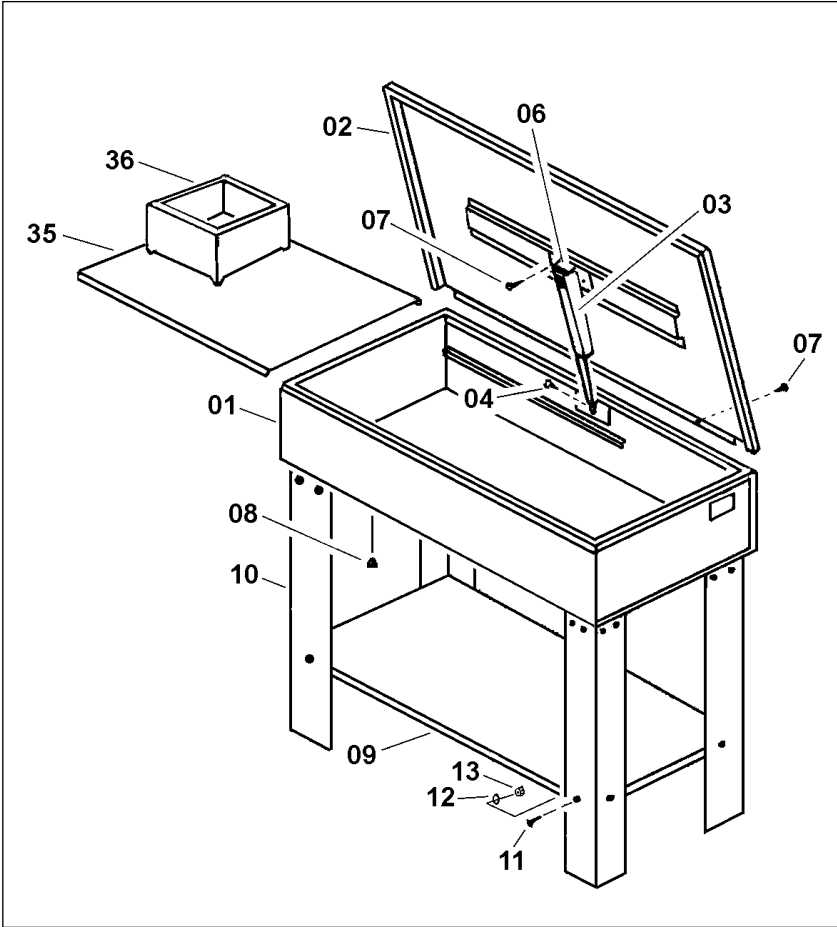


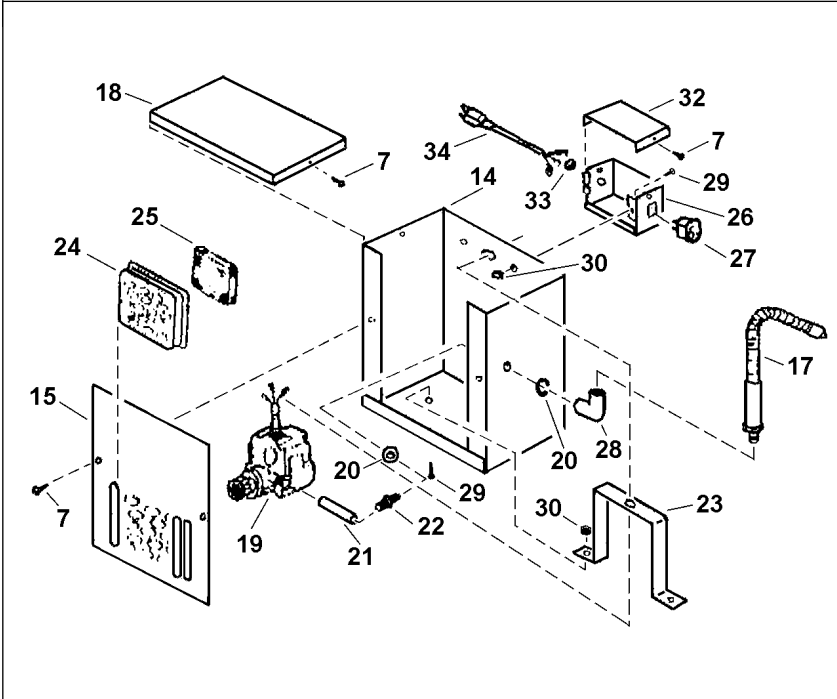


Sole UK Distributor,  
Sealey Group,  
Bury St. Edmunds,  
Suffolk.

PARTS LIST FOR  
**WORKSHOP CLEANING TANK**  
Model No: **SM30**



| Item | Part No. | Description         |
|------|----------|---------------------|
| 1    | SM30/A01 | Body                |
| 2    | SM30/A02 | Cover               |
| 3    | SM30/A03 | Safety Lever        |
| 4    | SM30/A04 | Pan Screw           |
| 6    | SM30/A06 | Safety Plate        |
| 7    | SM30/A07 | Tapping Screw       |
| 8    | SM30/A08 | Plug, Oil           |
| 9    | SM30/A09 | Shelf               |
| 10   | SM30/A10 | Leg                 |
| 11   | SM30/A11 | Pan Screw           |
| 12   | SM30/A12 | Toothed Washer      |
| 13   | SM30/A13 | Hex. Nut            |
| 14   | SM30/A14 | Pump Housing        |
| 15   | SM30/A15 | Housing Front Cover |
| 17   | SM30/A17 | Flex. Hose          |
| 18   | SM30/A18 | Housing Top         |
| 19   | SM30/A19 | Pump                |
| 20   | SM30/A20 | Washer              |
| 21   | SM30/A21 | Fluid Hose          |
| 22   | SM30/A22 | Nipple Connector    |
| 23   | SM30/A23 | Pump Anchor         |
| 24   | SM30/A24 | Filter Bracket      |
| 25   | SM30/A25 | Non-woven Fabrics   |
| 26   | SM30/A26 | Switch Box          |
| 27   | SM30/A27 | Light Switch        |
| 28   | SM30/A28 | 90° Connector       |
| 29   | SM30/A29 | Pan Screw           |
| 30   | SM30/A30 | Hex. Nut            |
| 32   | SM30/A32 | Switch Box Cover    |
| 33   | SM30/A33 | Feed Through        |
| 34   | SM30/A34 | Power Cord          |
| 35   | SM30/A35 | Shelf               |
| 36   | SM30/A36 | Basket              |



Original Date: 100798  
Issue Date: 150900  
Version No: 3  
Date Modified: 150900



01284 757500



01284 703534

**E-mail:** [sales@sealey.co.uk](mailto:sales@sealey.co.uk)