





Parts Information:  
Metalworking Lathe 300mm Between  
Centres  
Model No: SM3002.V2

Item	Part No.	Description
1	SM3002.001	Base
2	SM3002.002	Chuck, 3-Jaw (c/w Key)
3	SM3002.003	Spindle
4	SCB625.SB	Socket Cap Bolt M6 x 25mm Black
6	SN6.S	Steel Nut M6
7	SM3002.007	Key
8	SM3002.008	Key
9	SCB512.SB	Socket Cap Bolt M5 x 12mm Black
10	SM3002.010	Cover
12	SM3002.012	Spacer
13	SM3002.013	Casting, Headstock
14	SM3002.014	Gear 21T/29T
15	SM3002.015	Spacer
16	SM3002.016	Spur Gear 45T
17	SM3002.017	Half Nut M27 x 1.5mm
18	SM3002.018	Set Screw M5 x 8mm
19	SB-5.6	Steel Ball
20	SM3002.020	Compression Springs (Set of 3)
21	GSM812.S	Grub Screw M8 x 12mm
22	RE231V3-06	Circlip
23	B/6201ZZ	Bearing
24	SM3002.024	Gear 12T/20T
25	SM3002.025	Parallel Key
26	SM3002.026	Gear Shaft
27	SM3002.027	Pulley
28	ER1700PD.37	Circlip
29	SM3002.029	Timing Belt
30	SM3002.030	Shift Fork
31	SM3002.031	Shift Arm
32	SM3002.032	Knob, Shift
33	SM3002.033	Shift Lever

Item	Part No.	Description
34	SM3002.034	Shift Grip
35	SM3002.035	Handle
36	SM3002.036	Handle Base
37	SM3002.037	Spring
38	SM3002.038	Indicator
39	SM3002.039	Pinion 25T
40	SM3002.040	Support Screw
41	SM3002.041	Pinion 20T
42	SM3002.042	Fixed Cover
43	GSM625.S	Grub Screw M6 x 25mm Black
44	MSP510.SB	Machine Screw Pan Head Phillips M5 x 10mm Black
45	SM3002.045	Gear 45T
46	SM3002.046	Shaft
47	SM3002.047	Parallel Key
48	SM3002.048	Mount
49	SCB518.SB	Socket Cap Bolt M5 x 18mm Black
50	SM3002.050	Pinion 20T
51	RW619.S	Repair Washer M6 x 19mm
52	SM3002.052	Screw M6 x 8mm
53	SM3002.053	Cover
54	SCB545.SB	Socket Cap Bolt M5 x 45mm Black
56	SCB58.SB	Socket Cap Bolt M5 x 8mm Black
57	SM3002.057	Washer M4 x 15mm
58	SM3002.058	Bush (c/w Key)
59	SM3002.059	Gear 80T
60	SM3002.060	Shaft
61	SM3002.061	Support Plate
62	SM3002.062	Washer M8
63	SN8.S	Steel Nut M8
64	SM3002.064	Shaft
67	SM3002.067	Screw M6 x 16mm

**NOTE:** It is our policy to continually improve products and as such we reserve the right to alter data, specifications and component parts without prior notice. There may be alternative versions of this product, please contact us should you require this information.

**IMPORTANT:** No liability is accepted for incorrect use of product. Spare parts must be fitted by a competent person

**WARRANTY:** Guarantee is 12 months from purchase date, proof of which will be required for any claim.

Sealey Group, Kempson Way, Suffolk Business Park, Bury St Edmunds, Suffolk. IP32 7AR



01284 757500



01284 703534



sales@sealey.co.uk



www.sealey.co.uk



Parts Information:  
Metalworking Lathe 300mm Between  
Centres  
Model No: SM3002.V2

Item	Part No.	Description
73	MSP48.SB	Machine Screw Pan Head Phillips M4 x 8mm Black
123	SM3002.123	Control Box
125	SM3002.125	Rubber Foot
126	SM3002.126	Chip Tray
127	SM3002.127	Bracket
128	SM3002.128	Woodruff Key
129	SM3002.129	Lead Screw
131	SM3002.131	Bracket
133	SCB310.SB	Socket Cap Bolt M3 x 10mm Black
134	SM3002.134	Rack
137	SCB516.SB	Socket Cap Bolt M5 x 16mm Black
148	SM3002.148	Pulley
150	SM3002.150	Motor
151	SM3002.151	Cover
152	SM3002.152	Cable Gland
153	SM3002.153	Splash Guard, Rear
170	MSP48.S	Machine Screw Pan Head Phillips M4 x 8 mm
171	SM3002-V2.171	Clamp Block
172	SM3002-V2.172	Circlip
173	SM3002-V2.173	Screw M5 x 10mm
174	SM3002-V2.174	Protector
178	SM3002.170	Switch, Emergency Stop
179	SM3002.163	Fuse Box
180	SM3002-V2.180	Knob, Speed Control (c/w Potentiometer)

Item	Part No.	Description
181	SM3002.169	Switch, F/O/R Toggle
182	SM3002.164-N	PCB
183	SM3002.165	Filter
185	SWM5.S	Spring Washer M5
186	RW519.S	Repair Washer M5 x 19mm
187	SM3002-V2.187	Woodruff Key
188	SM3002-V2.188	Spacer
192	SWM6.S	Spring Washer M6
200	SM3002-V2.200	Woodruff Key
201	SM3002.V2-CG	Chuck Guard
202	SM3002-V2.202	Hinge
203	FWM4.S	Flat Washer M4
208	FWM6.SB	Flat Washer M6 Black
209	SCB34.SB	Socket Cap Bolt M3 x 4mm Black
210	SM3002-V2.210	Cover, Switch Housing
212	SM3002-V2.212	Fixed Cover
251	SM3002-V2.251	Round Pin
252	SM3002-V2.252	Rotating Plate
253	SM3002-V2.253	Screw M2.9 x 4.5mm
254	SM3002-V2.254	Cover
255	SM3002-V2.255	Micro Switch
--	SM3002-V2.168	Rubber Pad (Not Shown)
--	SM3002-V2.169	Bracing (Not Shown)
--	SM3002-V2.189	Oil Fitting (Not Shown)

**NOTE:** It is our policy to continually improve products and as such we reserve the right to alter data, specifications and component parts without prior notice. There may be alternative versions of this product, please contact us should you require this information.

**IMPORTANT:** No liability is accepted for incorrect use of product. Spare parts must be fitted by a competent person

**WARRANTY:** Guarantee is 12 months from purchase date, proof of which will be required for any claim.

Sealey Group, Kempson Way, Suffolk Business Park, Bury St Edmunds, Suffolk. IP32 7AR



01284 757500



01284 703534

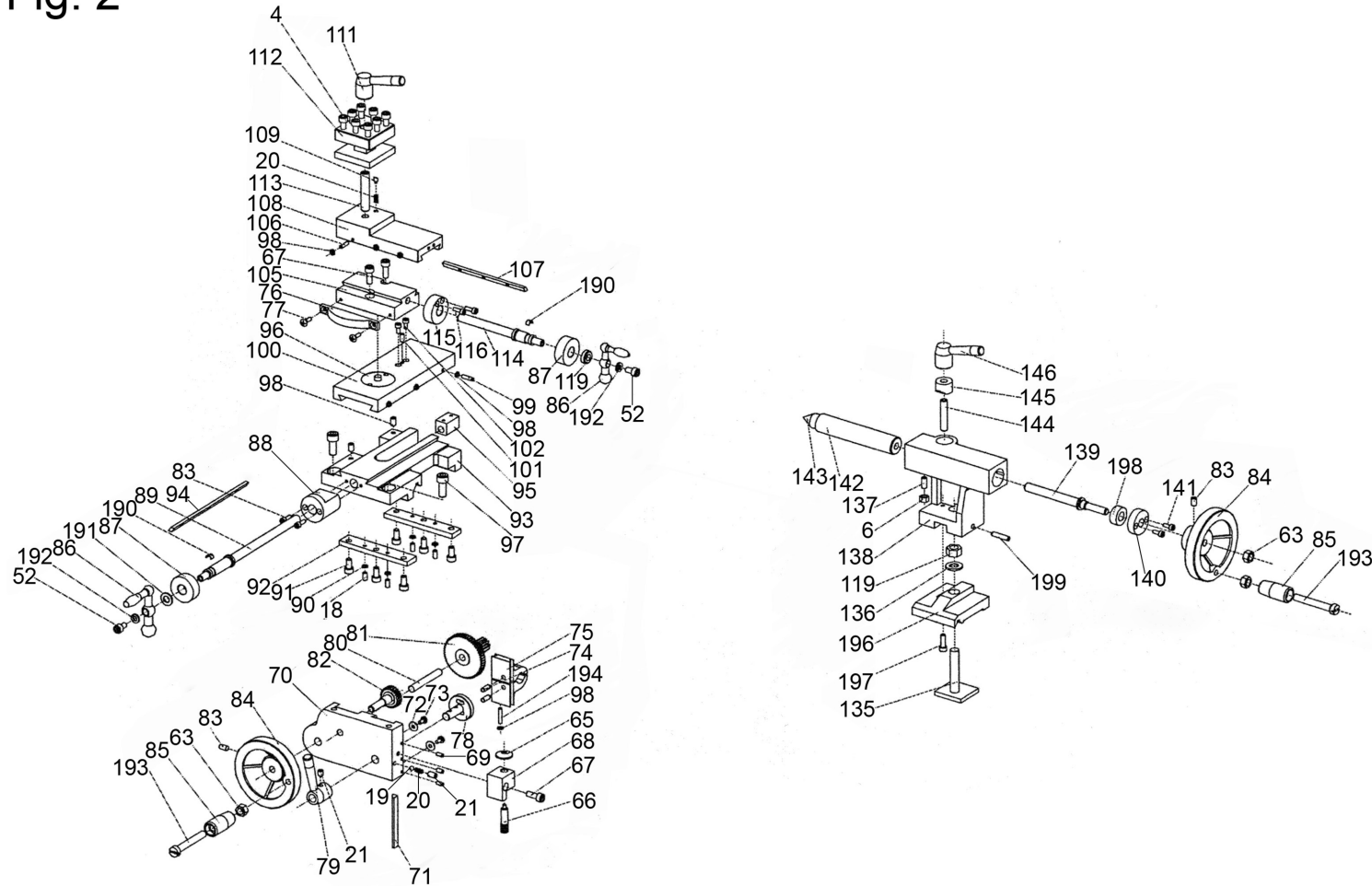


sales@sealey.co.uk



www.sealey.co.uk

Fig. 2



**NOTE:** It is our policy to continually improve products and as such we reserve the right to alter data, specifications and component parts without prior notice.

There may be alternative versions of this product, please contact us should you require this information.

**IMPORTANT:** No liability is accepted for incorrect use of product. Spare parts must be fitted by a competent person

**WARRANTY:** Guarantee is 12 months from purchase date, proof of which will be required for any claim.



Parts Information:  
**Metalworking Lathe 300mm Between  
Centres**  
**Model No: SM3002.V2**

Item	Part No.	Description
4	SCB625.SB	Socket Cap Bolt M6 x 25mm Black
6	SN6.S	Steel Nut M6
18	SM3002.018	Set Screw M5 x 8mm
19	SB-5.6	Steel Ball
20	SM3002.020	Compression Springs (Set of 3)
21	GSM812.S	Grub Screw M8 x 12mm
52	SM3002.052	Screw M6 x 8mm
63	SN8.S	Steel Nut M8
65	SM3002.065	Dial 16T
66	SM3002.066	Shaft
67	SM3002.067	Screw M6 x 16mm
68	SM3002.068	Body, Dial Indicator
69	SM3002.069	Set Screw M4 x 10mm
70	SM3002.070	Apron
71	SM3002.071	Gib Strip
72	SM3002.072	Repair Washer M4 x 12mm
73	MSP48.SB	Machine Screw Pan Head Phillips M4 x 8mm Black
74	SM3002.074	Shaft
75	SM3002.075	Half Nut (Pair)
76	SM3002.076	Angle Block
77	SM3002.077	Screw M4 x 10mm
78	SM3002.078	Groove Cam
79	SM3002.079	Handle
80	SM3002.080	Shaft
81	SM3002.081	Feeding Gear A 11T/54T
82	SM3002.082	Feeding Gear B 24T
83	SM3002.083	Screw M6 x 10mm
84	SM3002.084	Wheel
85	SM3002.085	Knob
86	SM3002.086A	Handle
87	SM3002.087	Dial
88	SM3002.088	Bracket
89	SM3002.089	Feeding Screw
90	SN5.S	Steel Nut M5 Zinc
91	SCB610.SB	Socket Cap Bolt M6 x 10mm Black
92	SM3002.092	Slide Plate
93	SM3002.093	Saddle
94	SM3002.094	Gib Strip
95	SM3002.095	Feed Nut
96	SM3002.096	Swivel Disc

Item	Part No.	Description
97	SM3002.097	Screw M8 x 20mm
98	SN4.S	Steel Nut M4
99	SM3002.099	Screw M4 x 16mm
100	SM3002.100	Cross Slide
101	GSM510.S	Grub Screw M5 x 10mm
102	SM3002.102	Screw M4 x 8mm
105	SM3002.105	Compound Rest B
106	SM3002.106	Screw M4 x 14mm
107	SM3002.107	Gib Strip
108	SM3002.108	Compound Rest A
109	SM3002.109	Positioning Pin
111	SM3002.111	Clamping Lever
112	SM3002.112	Tool Rest
113	SM3002.113	Stud
114	SM3002.114	Screw, Cross Feed
115	SM3002.115	Bracket
116	SM3002.116	Screw M4 x 12mm
119	SM3002.119	Spacer
135	SM3002.135	Clamp Plate
136	FWM10.S	Flat Washer M10
137	SCB516.SB	Socket Cap Bolt M5 x 16mm Black
138	SM3002.138	Tailstock Casting
139	SM3002.139	Tailstock Screw
140	SM3002.140	Bracket
141	SCB410.SB	Socket Cap Bolt M4 x 10mm Black
142	SM3002.142	Tailstock Quill
143	SM3002.143	Centre
144	SM3002.144	Stud
145	SM3002.145	Clamp
146	SM3002.146	Handle
190	SM3002-V2.190	Spring
191	SM3002-V2.191	Washer
192	SWM6.S	Spring Washer M6
193	SM3002-V2.193	Screw M8 x 55mm
194	SM3002-V2.194	Screw M4 x 38mm
196	SM3002-V2.196	Tailstock Plate
197	SM3002-V2.197	Screw M5 x 16mm
198	SM3002-V2.198	Flange
199	SM3002-V2.199	Screw M5 x 25mm
--	SM3002.140	Bracket (Not Shown)

**NOTE:** It is our policy to continually improve products and as such we reserve the right to alter data, specifications and component parts without prior notice. There may be alternative versions of this product, please contact us should you require this information.

**IMPORTANT:** No liability is accepted for incorrect use of product. Spare parts must be fitted by a competent person

**WARRANTY:** Guarantee is 12 months from purchase date, proof of which will be required for any claim.

**Sealey Group**, Kempson Way, Suffolk Business Park, Bury St Edmunds, Suffolk. IP32 7AR



01284 757500



01284 703534



sales@sealey.co.uk



www.sealey.co.uk



Parts Information:  
**Metalworking Lathe 300mm Between Centres**  
**Model No: SM3002.V2**  
**Accessories**

Item	Part No.	Description
--	SM3002CS11	Cutter Set 11pc (Not Shown)
--	SM3002CS2	Cutter Set 5pc (Not Shown)
--	SM3002CS5	Cutter Set 5pc (Not Shown)
--	SM3002CS6	Cutter Set 6pc (Not Shown)
--	SM3002FR	Follow Rest (Not Shown)
--	SM3002KTH	Knurling Tool (Not Shown)
--	SM3002LD	Lathe Dog (Not Shown)

Item	Part No.	Description
--	SM3002MA	Mill Attachment (Not Shown)
--	SM3002QCCR	Quick Change Post (Not Shown)
--	SM3002RC	Revolving Centre MT2 (Not Shown)
--	SM3002SC	Live Centre MT3 (Not Shown)
--	SM3002SR	Fixed Steady Rest (Not Shown)
--	SM3002TC	Tailstock Chuck MT2 13mm (Not Shown)
--	SM30024JC	Independent Chuck 4-Jaw (Not Shown)

**NOTE:** It is our policy to continually improve products and as such we reserve the right to alter data, specifications and component parts without prior notice. There may be alternative versions of this product, please contact us should you require this information.

**IMPORTANT:** No liability is accepted for incorrect use of product. Spare parts must be fitted by a competent person

**WARRANTY:** Guarantee is 12 months from purchase date, proof of which will be required for any claim.

**Sealey Group**, Kempson Way, Suffolk Business Park, Bury St Edmunds, Suffolk. IP32 7AR



01284 757500



01284 703534



sales@sealey.co.uk



www.sealey.co.uk