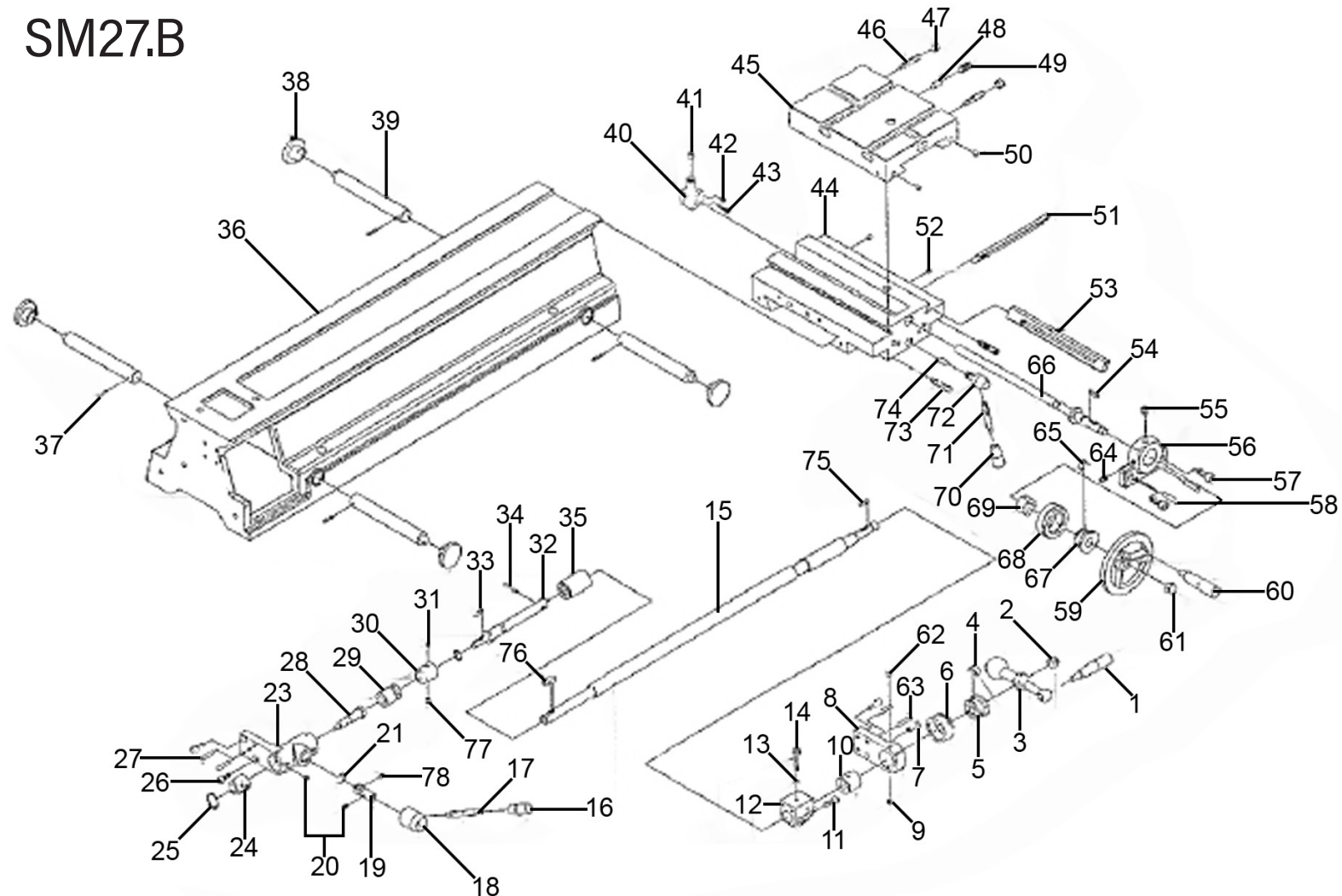


SM27.B



NOTE: It is our policy to continually improve products and as such we reserve the right to alter data, specifications and component parts without prior notice.

There may be alternative versions of this product, please contact us should you require this information.

IMPORTANT: No liability is accepted for incorrect use of product. Spare parts must be fitted by a competent person

WARRANTY: Guarantee is 12 months from purchase date, proof of which will be required for any claim.



Parts Information:
**Metalworking Lathe 500mm Between
 Centres**
Model No: SM27

Item	Part No.	Description
1	SM27.B01	Handles (c/w Sleeve)
2	SM27.B02	Cap Nuts, Domed
3	SM27.B03	Handle (c/w Sleeve)
4	SM27.B04	Spring Lamination
5	SM27.B05	Sleeve
6	SM27.B06	Dial
7	SM27.B07	Hex Skt Hd Screw
8	SM27.B08	Bracket
9	SM27.B09	Set Screw
10	SM27.B10	Leadscrew Bush
11	SM27.B11	Hex Skt Hd Screw
12	SM27.B12	Portrait Nut
13	SM27.B13	Washer
14	SM27.B14	Hex Skt Hd Screw
15	SM27.B15	Longitudinal Lead Screw
16	SM27.T38	Knob
17	SM27.B17	Handle Lever
18	SM27.B18	Handle Seat
19	SM27.B19	Eccentric Shaft
20	GSM510.S	Grub Screw M5 x 10mm
21	SM27.B21	O-Seal
23	SM27.B23	Trestle, Left
24	SM27.B24	Shaft Sleeve
25	SM27.B25	Circlip
26	SCB616.SB	Socket Cap Bolt M6 x 16mm Black
27	SM27.B27	Pin
28	SM27.B28	Shaft
29	SM27.B29	Hexagon Sleeve, Inner
30	SM27.B30	Bearing Sleeve
31	SM27.B31	Set Screw
32	SM27.B32	Shaft
33	SM27.B33	Woodruff Key
34	SM27.B34	Pin
35	SM27.B35	Coupling Sleeve
36	SM27.B36	Bed
37	SM27.B37	Cotter Pin
38	SM27.B38	Knob
39	SM27.B39	Lifting Handles
40	SM27.B40	Cross Nut
41	SM27.B41	Lubricating Point

Item	Part No.	Description
42	GSM612.S	Grub Screw M6 x 12mm
43	SM27.B43	Screw
44	SM27.B44	Slide
45	SM27.B45	Work Table
46	SM27.B46	Hex Skt Set Screw
47	SM27.B47	Hex Half Nut M8
48	SM27.B48	Locking Pin
49	SM27.B49	Hex Skt Set Screw
50	SM27.B50	Lubricating Point
51	SM27.B51	Chuck
52	SM27.B52	Lubricating Point
53	SM27.B53	Chock
54	SM27.B54	Plain Parallel
55	SM27.B55	Lubricating Point
56	SM27.B56	Cross Lead Screw Seat
57	SM27.B57	Hex Skt Hd Screw
58	SM27.B58	Pin
59	SM27.B59	Hand Wheel
60	SM27.B60	Handle (c/w Sleeve)
61	SN10.SDB	Steel Nut M10 Domed Black
62	SM27.B62	Lubricating Point
63	SM27.B63	Pin
64	SM27.B64	Set Screw
65	SM27.B65	Leaf Spring
66	SM27.B66	Cross Lead Screw
67	SM27.B67	Sleeve
68	SM27.B68	Dial
69	SM27.B69	Bearing Sleeve
70	SM27.B70	Knob
71	SM27.B71	Handle Lever
72	SM27.B72	Locking Handle Seat
73	SM27.B73	Hex Skt Set Screw
74	SM27.B74	Locking Pin
75	SM27.B75	Plain Parallel
76	SM27.B76	Plain Parallel
77	SM27.B77	Lubricating Point
78	SM27.B78	Screw
--	SM27.B79	Center Guard (Not Shown)
--	SM27.B80	Stop Block Assembly (Not Shown)

NOTE: It is our policy to continually improve products and as such we reserve the right to alter data, specifications and component parts without prior notice. There may be alternative versions of this product, please contact us should you require this information.

IMPORTANT: No liability is accepted for incorrect use of product. Spare parts must be fitted by a competent person

WARRANTY: Guarantee is 12 months from purchase date, proof of which will be required for any claim.

Sealey Group, Kempson Way, Suffolk Business Park, Bury St Edmunds, Suffolk. IP32 7AR



01284 757500



01284 703534



sales@sealey.co.uk

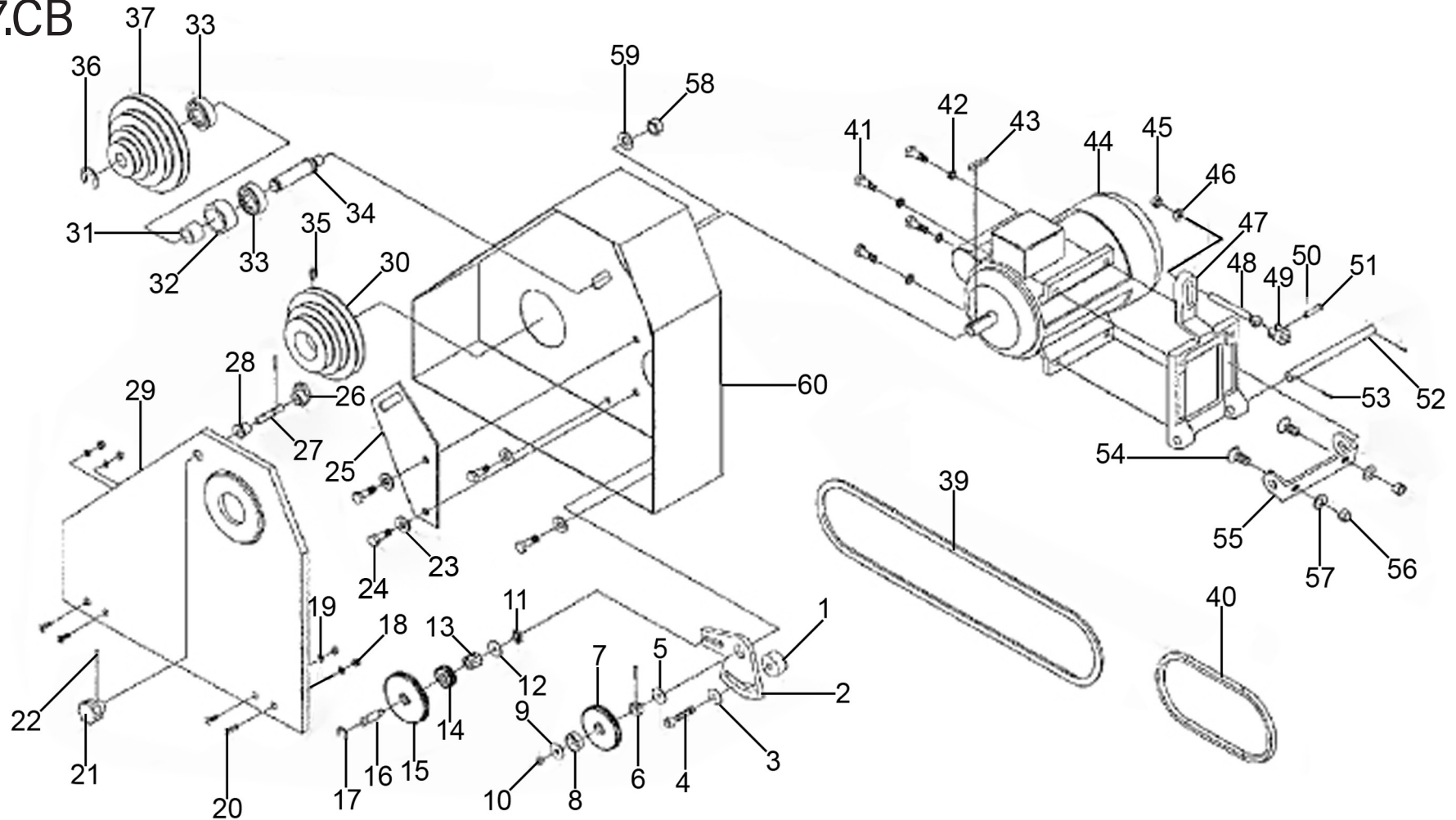


www.sealey.co.uk



Parts Information:
Metalworking Lathe 500mm Between Centres
Model No: SM27

SM27.CB



NOTE: It is our policy to continually improve products and as such we reserve the right to alter data, specifications and component parts without prior notice.

There may be alternative versions of this product, please contact us should you require this information.

IMPORTANT: No liability is accepted for incorrect use of product. Spare parts must be fitted by a competent person

WARRANTY: Guarantee is 12 months from purchase date, proof of which will be required for any claim.

Sealey Group, Kempson Way, Suffolk Business Park, Bury St Edmunds, Suffolk. IP32 7AR



01284 757500



01284 703534



sales@sealey.co.uk



www.sealey.co.uk



Parts Information:
**Metalworking Lathe 500mm Between
 Centres**
Model No: SM27

Item	Part No.	Description
1	SM27.CB01	Spacer
2	SM27.CB02	Plate, Gear Change
3	SM27.CB03	Washer
4	SM27.CB04	Hex Bolt
5	RW1030.S	Repair Washer M10 x 30mm
6	SM27.CB06	Housing, Spline
7	SM27.CB07	Gear 63T
8	SM27.CB08	Sleeve
9	FWM10.S	Flat Washer M10
10	SN6.S	Steel Nut M6
11	SM27.CB11	T-nut
12	RW619.S	Repair Washer M6 x 19mm
13	SM27.CB13	Spring Housing
14	SM27.CB14	Gear 27T
15	SM27.CB15	Gear 60T
16	SM27.CB16	Shaft, Gear Change
17	SM27.CB17	E-Clip
18	SN4.S	Steel Nut M4
19	SWM4.SB	Spring Washer M4 Black
20	SM27.CB20	Slotted Cheese Hd Screw
21	SM27.CB21	Knob
22	SM27.CB22	Taper Pin
23	SM27.CB23	E-Ring
24	SM27.CB24	Hex Bolt
25	SM27.CB25	Fascia
26	SM27.CB26	Knob, Door
27	SM27.CB27	Shaft
28	SM27.CB28	Sleeve, Stationary
29	SM27.CB29	Compound Box Blind
30	SM27.CB30	Motor Pulley
31	SM27.CB31	Spring Sleeve, Inner
32	SM27.CB32	Spring Sleeve, Outer

Item	Part No.	Description
33	B/6203ZZ	Bearing
34	SM27.CB34	Pulley Shaft
35	SM27.CB35	Flat Point Screw
36	SM27.CB36	E-Clip
37	SM27.CB37	Middle Pulley
39	V/M35	V-Belt
40	V/M22	V-Belt
41	SM27.CB41	Hex Bolt
42	SM27.CB42	Washer
43	SM27.CB43	Plain Parallel Key
44	SM27.CB44	Motor
45	SM27.CB45	Hex Nut
46	SM27.CB46	Washer
47	SM27.CB47	Mounting Plate, Motor
48	SM27.CB48	Dog Bolt
49	SM27.CB49	Forked Standard
50	SM27.CB50	Cotter Pin
51	SM27.CB51	Pin Shaft
52	SM27.CB52	Straight Pin
53	SM27.CB53	Cotter Pin
54	SM27.CB54	Screw
55	SM27.CB55	Pedestal
56	SM27.CB56	Hex Nut
57	SM27.CB57	Washer
58	SM27.CB58	Hex Nut
59	SM27.CB59	Washer
--	SM27.CB60	Compound Box Casing (Not Shown)
--	SM27.CB61N	Eyeshield (Not Shown)
--	SM27.CB62	Micro Switch, Belt Cover (Not Shown)
--	SM27.CB63	Switch, Power Rocker (Not Shown)
--	SM27.CB64	Switch, Chuck Guard (Not Shown)

NOTE: It is our policy to continually improve products and as such we reserve the right to alter data, specifications and component parts without prior notice. There may be alternative versions of this product, please contact us should you require this information.

IMPORTANT: No liability is accepted for incorrect use of product. Spare parts must be fitted by a competent person

WARRANTY: Guarantee is 12 months from purchase date, proof of which will be required for any claim.

Sealey Group, Kempson Way, Suffolk Business Park, Bury St Edmunds, Suffolk. IP32 7AR



01284 757500



01284 703534

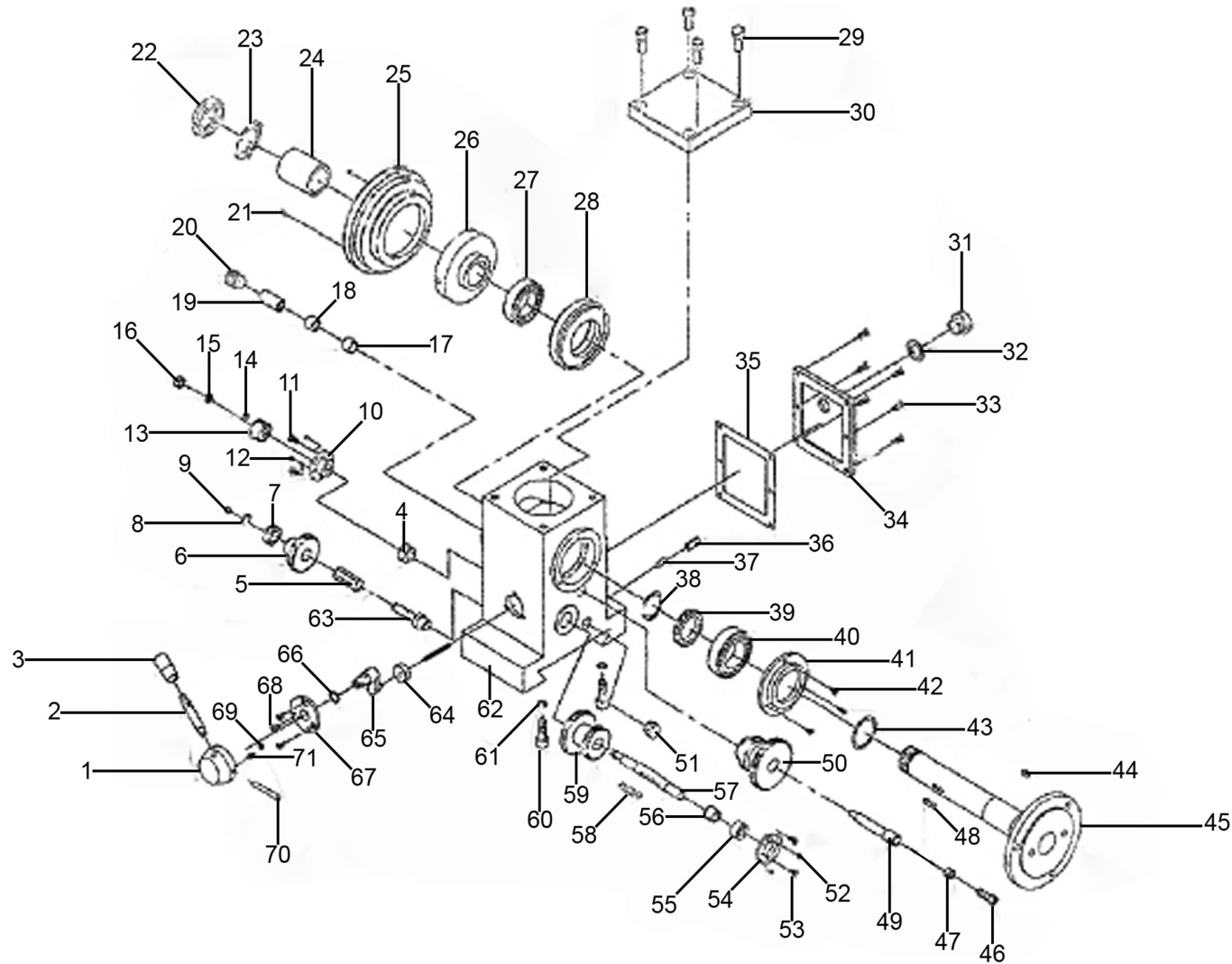


sales@sealey.co.uk



www.sealey.co.uk

SM27.LH



NOTE: It is our policy to continually improve products and as such we reserve the right to alter data, specifications and component parts without prior notice.

There may be alternative versions of this product, please contact us should you require this information.

IMPORTANT: No liability is accepted for incorrect use of product. Spare parts must be fitted by a competent person

WARRANTY: Guarantee is 12 months from purchase date, proof of which will be required for any claim.

Sealey Group, Kempson Way, Suffolk Business Park, Bury St Edmunds, Suffolk. IP32 7AR



01284 757500



01284 703534



sales@sealey.co.uk



www.sealey.co.uk



Parts Information:
**Metalworking Lathe 500mm Between
Centres**
Model No: SM27

Item	Part No.	Description
1	SM27.LH01	Handle Seat
2	SM27.LH02	Handle Lever
3	SM27.LH03	Knob
4	SM27.LH04	Bearing
5	SM27.LH05	Spline Housing
6	SM27.LH06	Gear 30T
7	SM27.LH07	Gear 50T
8	SM27.LH08	E-Ring
9	SM27.LH09	Oil Cup
10	SM27.LH10	End Cap
11	SM27.LH11	Csk Screws
12	SM27.LH12	Set Screw
13	SM27.LH13	Gear 24T
14	SM27.LH14	Plain Parallel Key
15	SM27.LH15	Spring Washer
16	SM27.LH16	Hex Nut
17	SM27.LH17	Bearing
18	SM27.LH18	Bearing
19	SM27.LH19	Sleeve
20	SM27.LH20	Set Screw
21	SM27.LH21	Set Screw
22	SM27.LH22	Round Nut
23	SM27.LH23	Lock Washer
24	SM27.LH24	Shaft Sleeve
25	SM27.LH25	Spindle Pulley
26	SM27.LH26	Pulley seat
27	SM27.LH27	Taper Roller Bearing
28	SM27.LH28	Bearing Seat
29	SM27.LH29	Transmission Cover
30	SM27.LH30	Screw
31	SM27.LH31	Oil Port Plug
32	SM27.LH32	Seal Washer
33	SM27.LH33	Csk Hd Screw
34	SM27.LH34	Transmission Cover
35	SM27.LH35	Gasket
36	SM27.LH36	Screw

Item	Part No.	Description
37	SM27.LH37	Locking Pin
38	SM27.LH38	Circlip
39	SM27.LH39	Gear 50T
40	B/32008	Bearing
41	SM27.LH41	Oil Seal, Main Shaft Bearing
42	SM27.LH42	Phillips Oval Head Screw
43	SM27.LH43	Felt Collar
44	SM27.LH44	Thin Flat Key
45	SM27.LH45	Spindle, Lathe
46	SM27.LH46	Cheese Head Screw
47	SM27.LH47	Shaft Nose
48	SM27.LH48	Thin Flat Key
49	SM27.LH49	Middle Shaft
50	SM27.LH50	Triple Gear 30/45/70T
51	SM27.LH51	Oil Level Indicator
52	SM27.LH52	Flat-Point Set Screw
53	SM27.LH53	Csk Screw
54	SM27.LH54	End Cap
55	SM27.LH55	Bearing
56	SM27.LH56	Sleeve Spacer
57	SM27.LH57	Output shaft
58	SM27.LH58	Plain Parallel
59	SM27.LH59	Duplicate Gear 45/60T
60	SM27.LH60	Screw
61	SM27.LH61	Spring Washer
62	SM27.LH62	Body, Lathe Head
63	SM27.LH63	Shaft
64	SM27.LH64	Loose Piece
65	SM27.LH65	Shifting Fork
66	SM27.LH66	O-Ring
67	SM27.LH67	Locating Plate
68	SM27.LH68	Csk Screw
69	SM27.LH69	Steel Ball
70	SM27.LH70	Pin
71	SM27.LH71	Spring

NOTE: It is our policy to continually improve products and as such we reserve the right to alter data, specifications and component parts without prior notice. There may be alternative versions of this product, please contact us should you require this information.

IMPORTANT: No liability is accepted for incorrect use of product. Spare parts must be fitted by a competent person

WARRANTY: Guarantee is 12 months from purchase date, proof of which will be required for any claim.

Sealey Group, Kempson Way, Suffolk Business Park, Bury St Edmunds, Suffolk. IP32 7AR



01284 757500



01284 703534

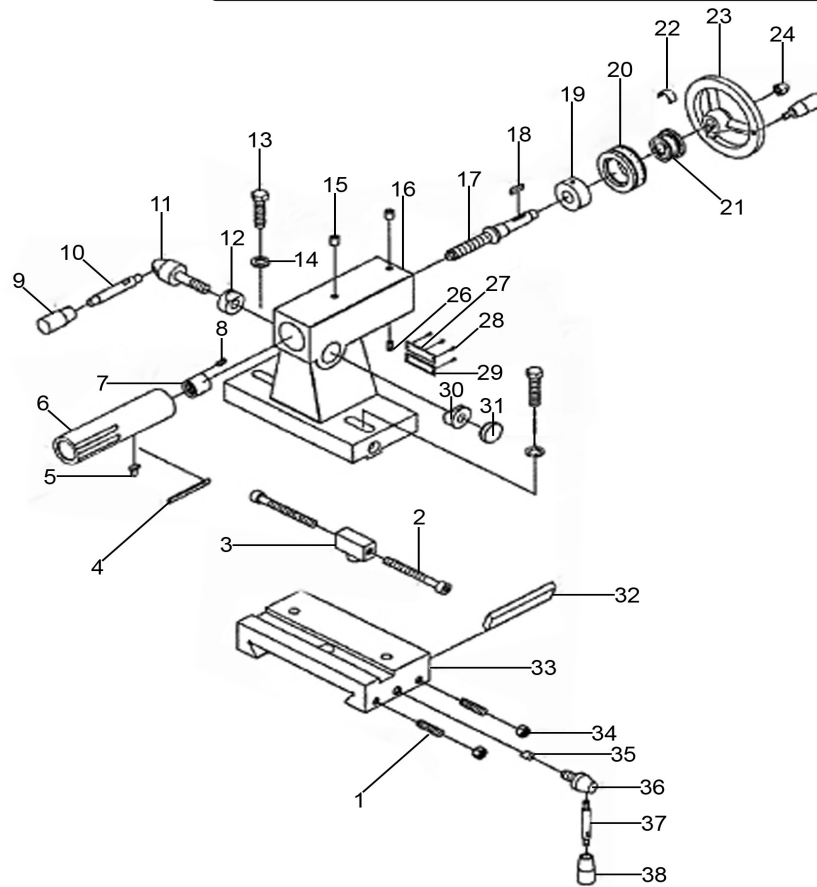


sales@sealey.co.uk



www.sealey.co.uk

SM27.T



Item	Part No.	Description
1	SM27.T01	Hex Skt Set Screw
2	SCB875.SB	Socket Cap Bolt M8 x 75mm Black
3	SM27.T03	Nut Block
4	SM27.T04	Graduated Label
5	SM27.T05	T-Key
6	SM27.T06	Sleeve, Tail Stock
7	SM27.T07	Tailstock Nut
8	SM27.T08	Set Screw
9	SM27.TP03	Knob
10	SM27.T10	Handle Lever
11	SM27.T11	Handle Base
12	SM27.T12	Locking Sleeve
13	SS1040.SB	Hex Head Set Screw M10 x 40mm Black
14	FWM10.S	Flat Washer M10
15	SM27.T15	Lubricating Point
16	SM27.T16	Tailstock
17	SM27.T17	Lead Screw, Tailstock
18	SM27.T18	Plain Parallel Key
19	SM27.T19	Sleeve

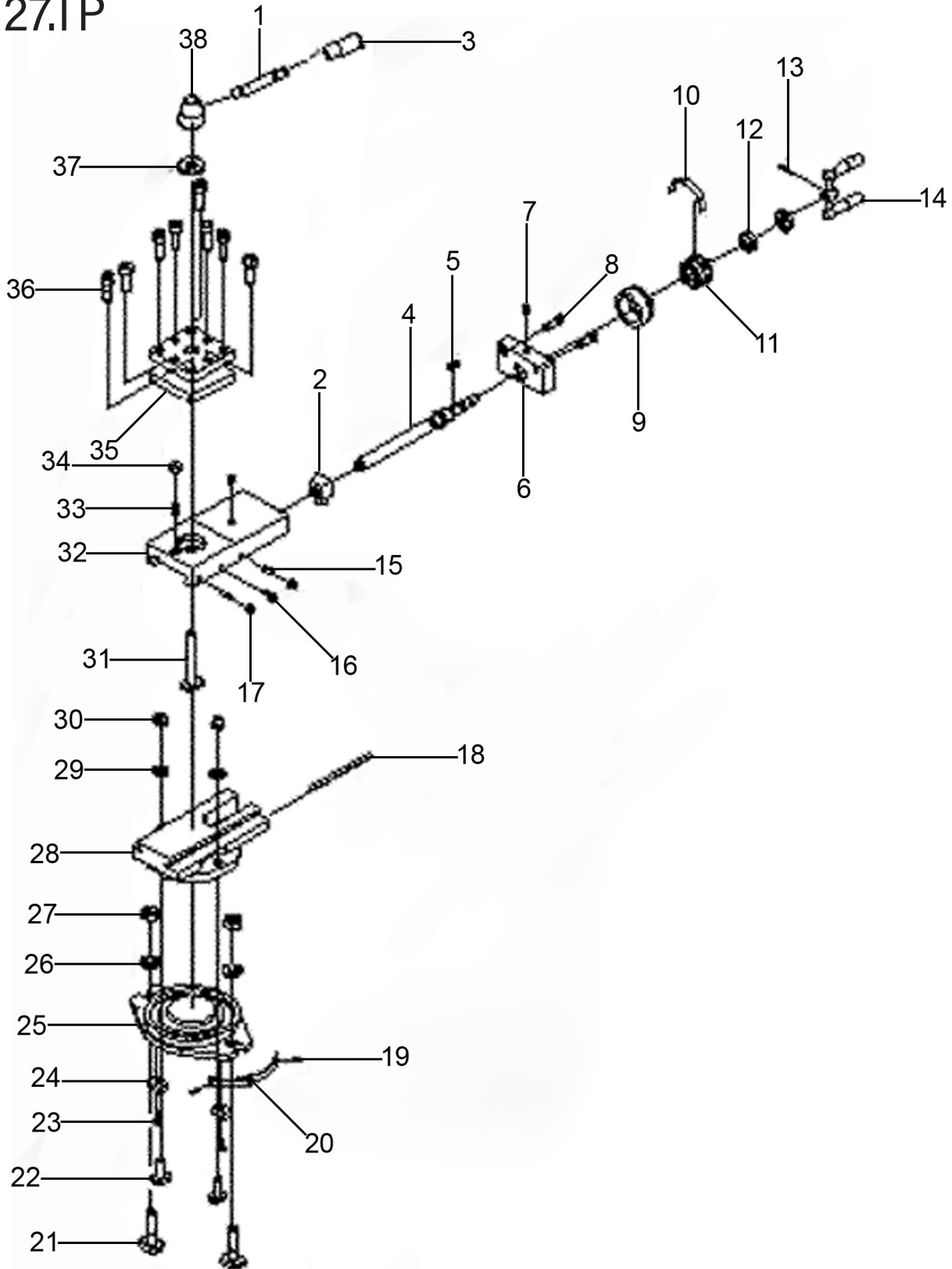
Item	Part No.	Description
20	SM27.T20	Dial
21	SM27.T21	Sleeve
22	SM27.T22	Spring Lamination
23	SM27.T23	Hand Wheel
24	SN10.SDB	Steel Nut M10 Domed Black
26	SM27.T26	Set Screw
27	SM27.T27	Label, Zero Line
28	SM27.T28	Rivet
29	SM27.T29	Label, Tail Stock
30	SM27.T30	Locking Nut
31	SM27.T31	Spigot
32	SM27.T32	Chock
33	SM27.T33	Tailstock Carriage
34	SM27.T34	Half Nut M8
35	SM27.T35	Locking Pin
36	SM27.T36	Handle Base
37	SM27.T37	Handle Lever
38	SM27.T38	Knob

NOTE: It is our policy to continually improve products and as such we reserve the right to alter data, specifications and component parts without prior notice. There may be alternative versions of this product, please contact us should you require this information.

IMPORTANT: No liability is accepted for incorrect use of product. Spare parts must be fitted by a competent person

WARRANTY: Guarantee is 12 months from purchase date, proof of which will be required for any claim.

SM27.TP



NOTE: It is our policy to continually improve products and as such we reserve the right to alter data, specifications and component parts without prior notice. There may be alternative versions of this product, please contact us should you require this information.

IMPORTANT: No liability is accepted for incorrect use of product. Spare parts must be fitted by a competent person

WARRANTY: Guarantee is 12 months from purchase date, proof of which will be required for any claim.



Parts Information:
**Metalworking Lathe 500mm Between
 Centres**
Model No: SM27

Item	Part No.	Description
1	SM27.TP01	Handle Lever
2	SM27.TP02	Nut
3	SM27.TP03	Knob
4	SM27.TP04	Lead Screw
5	SM27.TP05	Woodruff Key
6	SM27.TP06	Hanger
7	SM27.TP07	Oil Cup
8	SM27.TP08	Hex Skt Cap Hd Screw
9	SM27.TP09	Dial
10	SM27.TP10	Spring Lamination
11	SM27.TP11	Sleeve
12	SM27.TP12	Spanner Nut
13	SM27.TP13	Taper Pins
14	SM27.TP14	Bi-Lever, Handles
15	SM27.TP15	Set Screw, Slotted
16	SCB516.SB	Socket Cap Bolt M5 x 16mm Black
17	SN5.S	Steel Nut M5
18	SM27.TP18	Chock
19	SM27.TP19	Rivet, Name Plate
20	SM27.TP20	Scale Plate

Item	Part No.	Description
21	SM27.TP21	Bolt
22	SM27.TP22	Bolt
23	SM27.TP23	Csk Hd Screw
24	SM27.TP24	Locating Piece
25	SM27.TP25	Revolving Bed
26	FWM8.S	Flat Washer M8
27	SN10.S	Steel Nut M10
28	SM27.TP28	Dovetail Bed
29	SM27.TP29	Plain Washer
30	SN8.S	Steel Nut M8
31	SM27.TP31	Bolt
32	SM27.TP32	Small Carriage
33	SM27.TP33	Spring
34	SM27.TP34	Locating Sleeve
35	SM27.TP35	Toll Post
36	SM27.TP36	Hex Skt Cap Hd Screw
37	RW1030.S	Repair Washer M10 x 30mm
38	SM27.TP38	Handle Seat
--	SM27.TP39	Leadscrew Guard (Not shown)

Accessories

Item	Part No.	Description
--	SM27ST	Floor Stand (Not Shown)
--	SM27TJC	Chuck (c/w Key) (Not Shown)
--	SM27FJC	Independent Chuck (c/w Back Plate)(Not Shown)
--	SM27FP	Face Plate (Not Shown)
--	SM27FS	Rest, Fixed (Not Shown)
--	SM27MS	Rest, Moveable (Not shown)
--	SM27RDC	Revolving Centre (Not Shown)
--	SM27TNS	T-Nut Bolt Set 12pc (Not Shown)
--	SM27TSC	Tailstock Chuck (c/w Arbor) (Not Shown)
--	SM27FK	Fixing Kit, Eyeshield (Not Shown)

Item	Part No.	Description
--	SM27.SB	Switch Housing (Not Shown)
--	SM27.MTG	Metric Tooth Gears (Not Shown)
--	SM27.DC-3	Dead Centre 3 (Not Shown)
--	SM27.DC-4	Dead Centre 4 (Not Shown)
--	SM27.DES8-10	Double Open End Spanner 8-10mm (Not Shown)
--	SM27.DES17-19	Double Open End Spanner 17-19mm (Not Shown)
--	SM27.HK-4	Hex Key 4mm (Not Shown)
--	SM27.HK-5	Hex Key 5x65mm (Not Shown)
--	SM27.HK-6	Hex Key 6x87mm (Not Shown)
--	SM27.HK-8	Hex Key 8x95mm (Not Shown)

NOTE: It is our policy to continually improve products and as such we reserve the right to alter data, specifications and component parts without prior notice. There may be alternative versions of this product, please contact us should you require this information.

IMPORTANT: No liability is accepted for incorrect use of product. Spare parts must be fitted by a competent person

WARRANTY: Guarantee is 12 months from purchase date, proof of which will be required for any claim.

Sealey Group, Kempson Way, Suffolk Business Park, Bury St Edmunds, Suffolk. IP32 7AR



01284 757500



01284 703534



sales@sealey.co.uk



www.sealey.co.uk