

NOTE: It is our policy to continually improve products and as such we reserve the right to alter data, specifications and component parts without prior notice.

IMPORTANT: No liability is accepted for incorrect use of product.

WARRANTY: Guarantee is 12 months from purchase date, proof of which will be required for any claim.



Parts Information:
Drilling & Milling Machine
Model No: SM25.V3

Item	Part No.	Description
1	SM25.V3-01	PROTECTIVE CAP
2	SM25.V3-02	COMPLETE COVER
3	SM25.V3-03	LINK
4	SM25.V3-04	HEX. HD. BOLT 12X300
5	SM25.V3-05	NUT
6	SM25.V3-06	SPINDLE PULLEY
7	SM25.V3-07	SPINDLE SLEEVE
8	B/6007ZZ	BEARING 6007ZZ
9	SM25.V3-09	RING
10	SM25.V3-10	O-RING
11	SM25.V3-11	PHILLIPS BOLT M8X12
12	SM25.V3-12	WASHER
13	SM25.V3-02	COMPLETE COVER
14	SM25.V3-14	SCREW
15	SM25.V3-15	BOLT
16	SM25.V3-16	PULLEY SUPPORT
17	SM25.V3-17	WASHER
18	SM25.V3-18	BOLT M8X30
--	SM25.V3-19	LINK (NOT SHOWN)
20	SCB830.SB	SOCKET HEAD CAP SCREW M8x30 BLACK
21	V/A37.5	V-BELT (ID-950) A37.5
22	SN16.S	STEEL NUT M16 ZINC DIN934(SINGLE)
23	SM25.V3-23	RETAINING RING
24	B/6204-2RS	BEARING 6204-2RS
25	SM25.V3-25	MIDDLE PULLEY
26	SM25.V3-26	MIDDLE PULLEY SHAFT
27	SM25.V3-126	"MICRO SWITCH"
28	SM25.V3-28	BRACKET
29	SM25.V3-29	V-BELT
30	SM25.V3-30	MOTOR PULLEY
31	SM25.V3-31	SCREW
32	SM25.V3-32	KEY
33	SM25.V3-33	MOTOR
34	SN8.S	STEEL NUT M8 ZINC DIN934 (SINGLE)
35	SM25.V3-35	WASHER
36	SM25.V3-36	NUT
37	SM25.V3-37	WASHER
38	SM25.V3-38	WASHER
39	SM25.V3-39	HEX HEAD SCREW
40	SM25.V3-40	MOTOR MOUNT
41	SM25.V3-41	COLLAR
42	SM25.V3-42	TENSION PIN
43	SM25.V3-43	SPRING
44	FWM12.S	FLAT WASHER M12 SINGLE

Item	Part No.	Description
45	SN12.S	STEEL NUT M12 ZINC DIN934(SINGLE)
46	SM25.V3-46	LOCK SCREW
47	SM25.V3-47	HEAD
48	SM25.V3-48	HEAD BODY FIXING BOLT M12X170
49	SM25.V3-49	WORM
50	SM25.V3-50	GEAR
51	SM25.V3-51	SHAFT
52	SM25.V3-52	BRACKET
53	SM25.V3-53	HEAD SCREW
54	SM25.V3-54	HEAD HANDLE
55	SM25.V3-55	SCREW
56	SM25.V3-56	KNOB
57	SM25.V3-57	SCREW
58	SM25.V3-58	SWITCH
59	SM25.V3-59	SCREW
60	SM25.V3-60	ELECTRIC BOX
61	SM25.V3-61	KNOB
62	SWM6.S	SPRING WASHER M6 ZINC (SINGLE)
63	SM25.V3-63	REPAIR WASHER M8 THICK
64	SM25.V3-64	SPRING CAP
65	SM25.V3-65	RETURN SPRING
66	SM25.V3-66	HEAD SCREW
67	SM25.V3-67	SHAFT SLEEVE
68	SM25.V3-68	KEY
69	SM25.V3-69	PIN
70	SM25.V3-70	SCREW
71	SN10.S	STEEL NUT M10 ZINC DIN934(SINGLE)
72	SM25.V3-72	SPINDLE LOCK LEVER
73	SM25.V3-73	FIXED COLLAR
74	SM25.V3-74	NAME PLATE
75	SM25.V3-75	SCREW
76	SM25.V3-76	FIXED COLLAR
77	SM25.V3-77	SCREW
78	SM25.V3-78	GEAR SHAFT
79	SM25.V3-79	KEY
80	SM25.V3-80	CASTING
81	SM25.V3-81	GEAR
82	SM25.V3-82	SPRING
83	SM25.V3-83	HANDLE BODY
84	SM25.V3-84	HANDLE SHAFT
85	SM25.V3-85	KNOB
86	SM25.V3-86	FEED KNOB
87	SM25.V3-87	FEED SHAFT
88	B/6202ZZ	BEARING 6202ZZ

NOTE: It is our policy to continually improve products and as such we reserve the right to alter data, specifications and component parts without prior notice.

IMPORTANT: No liability is accepted for incorrect use of product.

WARRANTY: Guarantee is 12 months from purchase date, proof of which will be required for any claim.

Sealey Group, Kempson Way, Suffolk Business Park, Bury St Edmunds, Suffolk. IP32 7AR



01284 757500



01284 703534



sales@sealey.co.uk



www.sealey.co.uk



Parts Information:
Drilling & Milling Machine
Model No: SM25.V3

Item	Part No.	Description
89	SM25.V3-89	RING
90	SM25.V3-90	COVER
91	SM25.V3-91	SKT. HD BOLT M5X16
92	SM25.V3-92	PLATE
93	SM25.V3-93	SCREW
94	SM25.V3-94	SCREW
95	SM25.V3-95	HAND WHEEL (SMALL)
96	SM25.V3-96	NUT
97	SM25.V3-97	PLATE
98	SM25.V3-98	WASHER
99	SM25.V3-99	FEED BASE
100	SM25.V3-100	NUT
101	SM25.V3-101	WASHER
102	B/30205	BEARING 30205
103	SM25.V3-103	RETAINING RING
104	SM25.V3-104	BOLT
105	SM25.V3-105	WASHER
106	SM25.V3-106	HEX NUT
107	SM25.V3-107	SPINDLE SLEEVE
108	SM25.V3-108	DRIFT
109	B/30205	BEARING 30205
110	SM25.V3-110	SPINDLE
111	SM25.V3-111	BEARING CAP
112	SN12.S	STEEL NUT M12 ZINC DIN934(SINGLE)

Item	Part No.	Description
113	SM25.V3-113	SET SCREW
114	SM25.V3-114	FIXED BLOCK
115	SM25.V3-115	SHAFT
116	SM25.V3-116	WASHER
117	SM25.V3-117	LINK
118	SM25.V3-118	SCREW
119	SN4.S	STEEL NUT M4 ZINC DIN934 (SINGLE)
120	SM25.V3-120	WASHER
121	SM25.V3-121	MICRO SWITCH BASE
122	SM25.V3-122	SCREW
123	SM25.V3-123	WASHER
124	SM25.V3-124	WASHER
125	SM25.V3-125	SCREW
126	SM25.V3-126	"MICRO SWITCH"
127	SM25.V3-127	SCREW
128	SM25.V3-128	SCREW
129	SM25.V3-129	LEVER BRACKET
130	SM25.V3-130	SHAFT
131	SM25.V3-131	SLEEVE
132	SM25.V3-132	SCREW
133	SM25.V3-133	PROTECTING COVER
134	SM25.V3-134	PROTECTING PLATE
135	SM25.V3-135	SCREW

NOTE: It is our policy to continually improve products and as such we reserve the right to alter data, specifications and component parts without prior notice.

IMPORTANT: No liability is accepted for incorrect use of product.

WARRANTY: Guarantee is 12 months from purchase date, proof of which will be required for any claim.

Sealey Group, Kempson Way, Suffolk Business Park, Bury St Edmunds, Suffolk. IP32 7AR



01284 757500



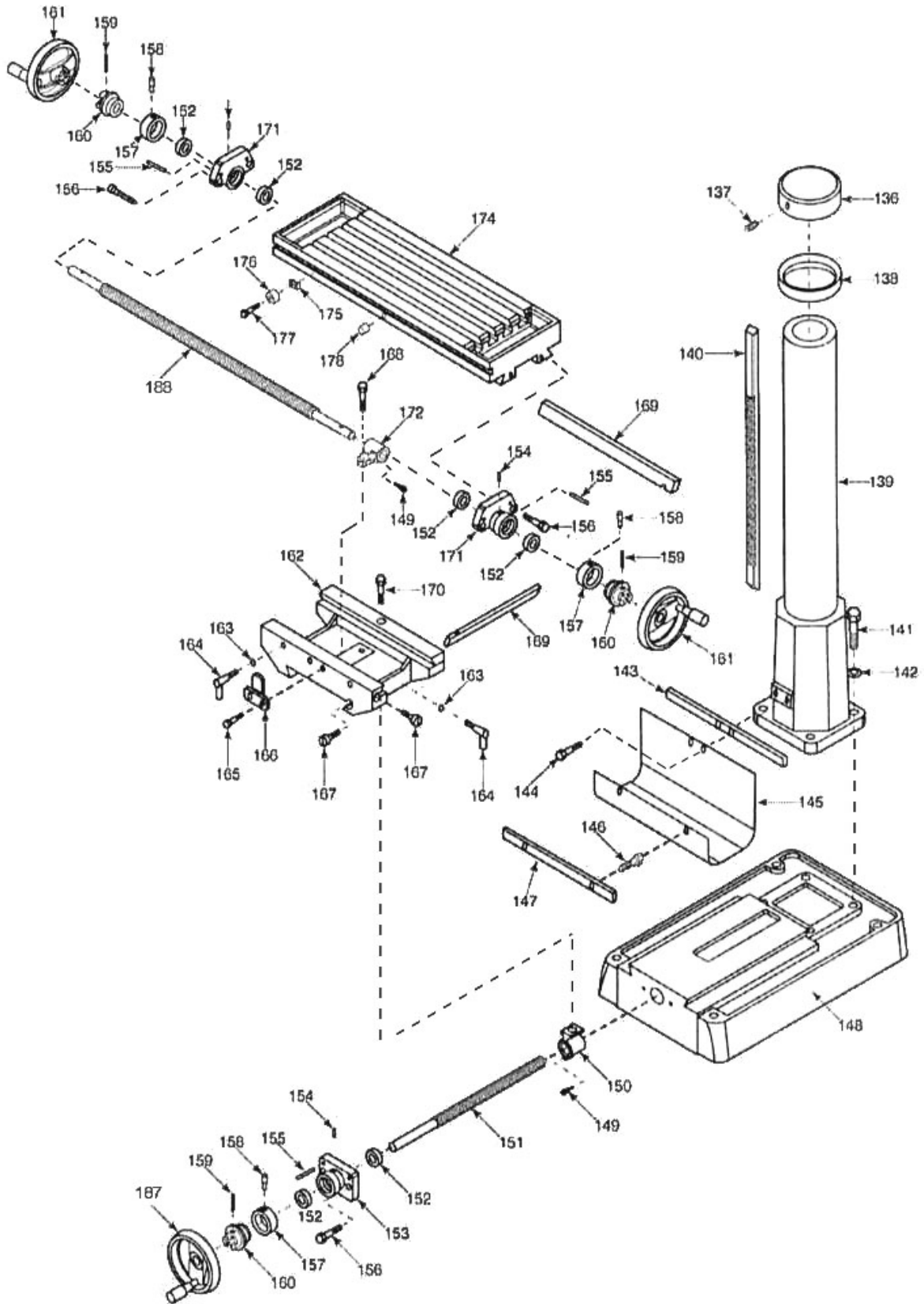
01284 703534



sales@sealey.co.uk



www.sealey.co.uk



NOTE: It is our policy to continually improve products and as such we reserve the right to alter data, specifications and component parts without prior notice.

IMPORTANT: No liability is accepted for incorrect use of product.

WARRANTY: Guarantee is 12 months from purchase date, proof of which will be required for any claim.



Parts Information:
Drilling & Milling Machine
Model No: SM25.V3

Item	Part No.	Description
136	SM25.V3-136	COLUMN LID
137	SM25.V3-137	SCREW
138	SM25.V3-138	RING
139	SM25.V3-139	COLUMN
140	SM25.V3-140	RACK
141	SM25.V3-141	BOLT M12X50
142	SM25.V3-142	WASHER
143	SM25.V3-143	PROTECTION BOARD STRIP
144	SS812.S	HEX HEAD SET SCREW M8x12mm SINGLE
145	SM25.V3-145	PROTECTION BOARD
146	SM25.V3-146	SCREW
147	SM25.V3-147	PROTECTION BOARD STRIP
148	SM25.V3-148	BASE
149	SM25.V3-149	SCREW
150	SM25.V3-150	GUIDE SCREW NUT
151	SM25.V3-151	GUIDE SCREW
152	B/51103	BEARING RACE 51103
153	SM25.V3-153	GUIDE SCREW SUPPORT
154	SM25.V3-154	OIL CUP
155	SM25.V3-155	PIN
156	SM25.V3-156	SCREW
157	SM25.V3-157	ADJUST LOCK
158	SM25.V3-158	SCREW

Item	Part No.	Description
159	SM25.V3-159	SPRING PIN M5 X 35
160	SM25.V3-160	DIAL
161	SM25.V3-161	HAND WHEEL
162	SM25.V3-162	SADDLE
163	SB-6.4	STEEL BALL 6.4mm
164	SM25.V3-164	LOCK HANDLE
165	SM25.V3-165	BOLT M8X13
166	SM25.V3-166	CENTRE STOP
167	SM25.V3-167	SCREW
168	SM25.V3-168	SCREW
169	SM25.V3-169	GIB STRIP
170	SM25.V3-170	SCREW
171	SM25.V3-171	FLANGE (LEFT)
172	SM25.V3-172	GUIDE SCREW NUT
--	SM25.V3-173	GUIDE SCREW (NOT SHOWN)
174	SM25.V3-174	TABLE
175	SM25.V3-175	NUT
176	SM25.V3-176	STOP
177	SM25.V3-177	SCREW
178	SM25.V3-178	OIL CUP
187	SM25.V3-161	HAND WHEEL
188	SM25.V3-188	CENTRE SCREW
189	SM25.V3-189	COLUMN COVER

NOTE: It is our policy to continually improve products and as such we reserve the right to alter data, specifications and component parts without prior notice.

IMPORTANT: No liability is accepted for incorrect use of product.

WARRANTY: Guarantee is 12 months from purchase date, proof of which will be required for any claim.

Sealey Group, Kempson Way, Suffolk Business Park, Bury St Edmunds, Suffolk. IP32 7AR



01284 757500



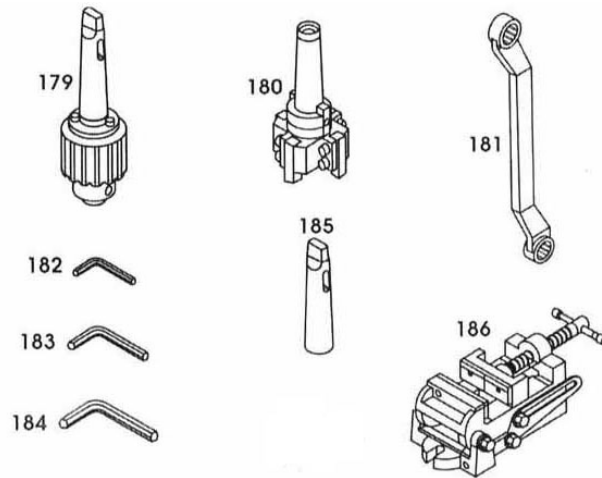
01284 703534



sales@sealey.co.uk



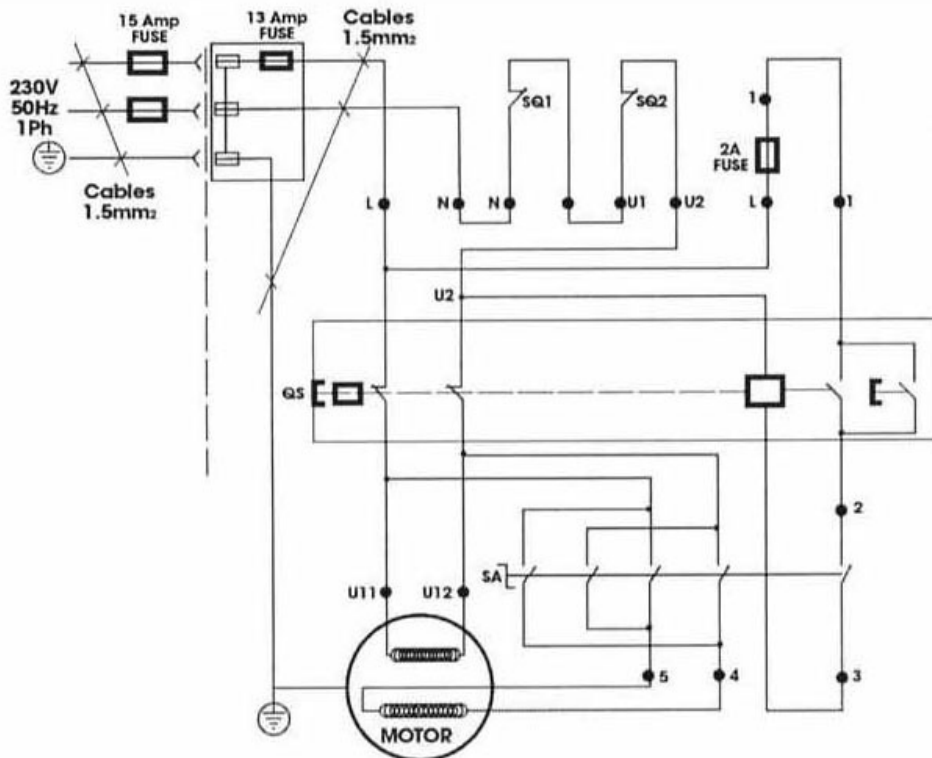
www.sealey.co.uk



Item	Part No.	Description
		ACCESSORIES
179	SM25.V3-179	DRILL CHUCK AND CHUCK KEY
180	SM25.V3-180	FACE MILLING CUTTER
181	SM25.V3-181	OFFSET WRENCH
182	SM25.V3-182	ALLEN KEY 4mm

Item	Part No.	Description
183	AK7159.06	HEX L-KEY WRENCH 5mm
184	SM25.V3-184	ALLEN KEY 6mm
185	SM25.V3-185	SLEEVE (MT2 TO MT3)
186	SM25.V3-186	ANGLE VICE

WIRING DIAGRAM



NOTE: It is our policy to continually improve products and as such we reserve the right to alter data, specifications and component parts without prior notice.

IMPORTANT: No liability is accepted for incorrect use of product.

WARRANTY: Guarantee is 12 months from purchase date, proof of which will be required for any claim.