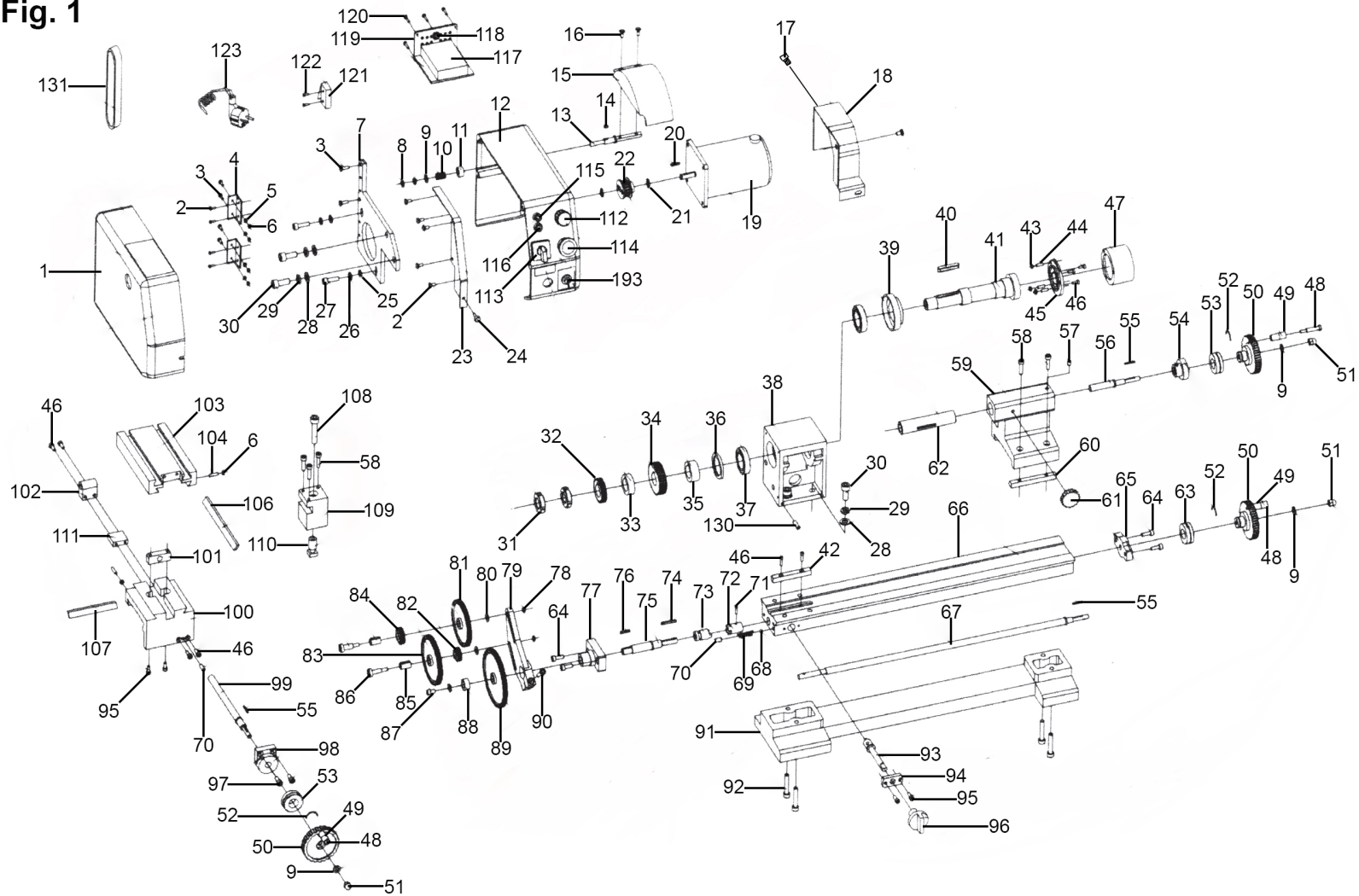


Fig. 1



NOTE: It is our policy to continually improve products and as such we reserve the right to alter data, specifications and component parts without prior notice.

There may be alternative versions of this product, please contact us should you require this information.

IMPORTANT: No liability is accepted for incorrect use of product. Spare parts must be fitted by a competent person

WARRANTY: Guarantee is 12 months from purchase date, proof of which will be required for any claim.



Parts Information:
Mini Lathe & Drilling Machine
Model No: SM2503

Item	Part No.	Description
1	SM2503.001	Cover, Change Gear
2	SM2503.002	Cap Screw M4 x 8mm
3	SM2503.003	Cap Screw M4 x 12mm
4	SM2503.004	Hinge
5	SM2503.005	Washer M4
6	SN4.S	Steel Nut M4
7	SM2503.007	Cantilever
8	SM2503.008	Half Nut M6, Black
9	FWM6.SB	Flat Washer M6 Black
10	SM2503.010	Compression Spring
11	SM2503.011	Spacing Ring
12	SM2503.012	Cover, Spindle Box
13	SM2503.013	Rotate Spindle
14	SM2503.014	Key
15	SM2503.015	Cover, Chuck
16	MSC48.SB	Csk Phillips Machine Screw M4 x 8mm Black
17	SM2503.017	Cap Screw M5 x 8mm
18	SM2503.018	Splash Guard, Rear
19	SM2503.019	Motor
20	SM2503.020	Key
21	SM2503.021	Check Ring
22	SM2503.022	Timing Pulley
23	SM2503.023	Support Plate
24	SM2503.024	Screw M4 x 8mm
25	SM2503.025	Washer M6
26	SM2503.026	Spring Washer M6
27	SM2503.027	Screw M6 x 20mm
28	SM2503.028	Washer M8
29	SM2503.029	Spring Washer M8
30	SM2503.030	Screw M8 x 20mm
31	SN18.S	Steel Nut M18
32	SM2503.032	Spindle Gear

Item	Part No.	Description
33	SM2503.033	Spacing Ring 1
34	SM2503.034	Timing Pulley, Spindle
35	SM2503.035	Spacing Ring 2
36	SM2503.036	Oil Seal Ring, Rear
37	B/30205	Bearing
38	SM2503.038	Box, Spindle
39	SM2503.039	Oil Seal Ring, Front
40	SM2503.040	Key
41	SM2503.041	Spindle
42	SM2503.042	Key
43	SN6.S	Steel Nut M6
44	SM2503.044	Screw M6 x 25mm
45	SM2503.045	Flange, Chuck
46	SM2503.046	Round Cap Screw M4 x 12mm
47	SM2503.047	Chuck, 3-Jaw
48	SM2503.048	Screw, Handle (Set of 3)
49	SM2503.049	Handle
50	SM2503.050	Handwheel
51	SN6.SD	Steel Nut M6, Domed
52	SM2503.052	Spring
53	SM2503.053	Dial
54	SM2503.054	Screw Base
55	SM2503.055	Key
56	SM2503.056	Screw, Tailstock
57	SM2503.057	Screw M5 x 8mm
58	SCB520.SB	Socket Cap Bolt M5 x 20mm Black
59	SM2503.059	Tailstock Casting
60	SM2503.060	Wedge
61	SM2503.061	Lock Handle
62	SM2503.062	Tailstock Quill
63	SM2503.063	Dial
64	SM2503.064	Screw M5 x 14mm

NOTE: It is our policy to continually improve products and as such we reserve the right to alter data, specifications and component parts without prior notice. There may be alternative versions of this product, please contact us should you require this information.

IMPORTANT: No liability is accepted for incorrect use of product. Spare parts must be fitted by a competent person

WARRANTY: Guarantee is 12 months from purchase date, proof of which will be required for any claim.

Sealey Group, Kempson Way, Suffolk Business Park, Bury St Edmunds, Suffolk. IP32 7AR



01284 757500



01284 703534



sales@sealey.co.uk



www.sealey.co.uk



Parts Information:
Mini Lathe & Drilling Machine
Model No: SM2503

Item	Part No.	Description
65	SM2503.065	Screw Bracket
66	SM2503.066	Bed Lead Rail
67	SM2503.067	Leadscrew
68	SB-6.4	Steel Ball
69	SM2503.069	Compression Spring
70	SM2503.070	Screw M6 x 10mm
71	SM2503.071	Pin
72	SM2503.072	Bracket, Clutch
73	SM2503.073	Clutch
74	SM2503.074	Woodruff Key
75	SM2503.075	Shaft
76	SM2503.076	Woodruff Key
77	SM2503.077	Bracket, Gear Shaft
78	SN5.S	Steel Nut M5
79	SM2503.079	Support Plate
80	SM2503.080	Washer
81	SM2503.081	Change Gear Z=72
82	SM2503.082	Change Gear Z=19
83	SM2503.083	Change Gear Z=76
84	SM2503.084	Change Gear Z=24
85	SM2503.085	Gear sleeve / Gear sleeve
86	SM2503.086	Shaft, Gear
87	SM2503.087	Screw M5 x 8mm
88	SM2503.088	Spacing Ring
89	SM2503.089	Change Gear Z=90
90	SM2503.090	Screw M5 x 25mm
91	SM2503.091	Bed Base
92	SM2503.092	Screw M6 x 35mm
93	SM2503.093	Unplug Shaft
94	SM2503.094	Dam Board
95	SM2503.095	Screw M4 x 10mm

Item	Part No.	Description
96	SM2503.096	Knob, Clutch Rotate
97	SM2503.097	Screw M5 x 12mm
98	SM2503.098	Bracket, Leadscrew
99	SM2503.099	Screw, Cross Slide M4 x 16mm
100	SM2503.100	Saddle
101	SM2503.101	Nut, Cross Slide
102	SM2503.102	Leadscrew Nut
103	SM2503.103	Cross Slide
104	SM2503.104	Screw M4 x 16mm
106	SM2503.106	Wedge, Cross Slide
107	SM2503.107	Gib Strip
108	SCB840.SB	Socket Cap Bolt M8 x 40mm Black
109	SM2503.109	Tool Rest
110	SM2503.110	Shaft, Tool Rest
111	SM2503.111	Connect Block
112	SM2503.112	Potentiometer
113	SM2503.113	Switch, Power
114	SM2503.114	Switch, Forward/ Reverse (c/w knob)
115	SM2503.115	Light, Power Indicator
116	SM2503.116	Fuse Box
117	SM2503.117N	PCB
118	SM2503.118	Lock, Connect
119	SM2503.119	Housing, PCB
120	SM2503.120	Screw ST2.9 x 10mm
121	SM2503.121	Micro Switch
122	SM2503.122	Screw ST1.9 x 10mm
123	SM2503.123	Power Cord (c/w Plug)
130	SM2503.130	Screw M5 x 12mm
131	SM2503.131	Timing Belt
193	SM2503.193	Switch, Power Supply Toggle
--	SM2503-T	T-Nut (Not Shown)

NOTE: It is our policy to continually improve products and as such we reserve the right to alter data, specifications and component parts without prior notice. There may be alternative versions of this product, please contact us should you require this information.

IMPORTANT: No liability is accepted for incorrect use of product. Spare parts must be fitted by a competent person

WARRANTY: Guarantee is 12 months from purchase date, proof of which will be required for any claim.

Sealey Group, Kempson Way, Suffolk Business Park, Bury St Edmunds, Suffolk. IP32 7AR



01284 757500



01284 703534

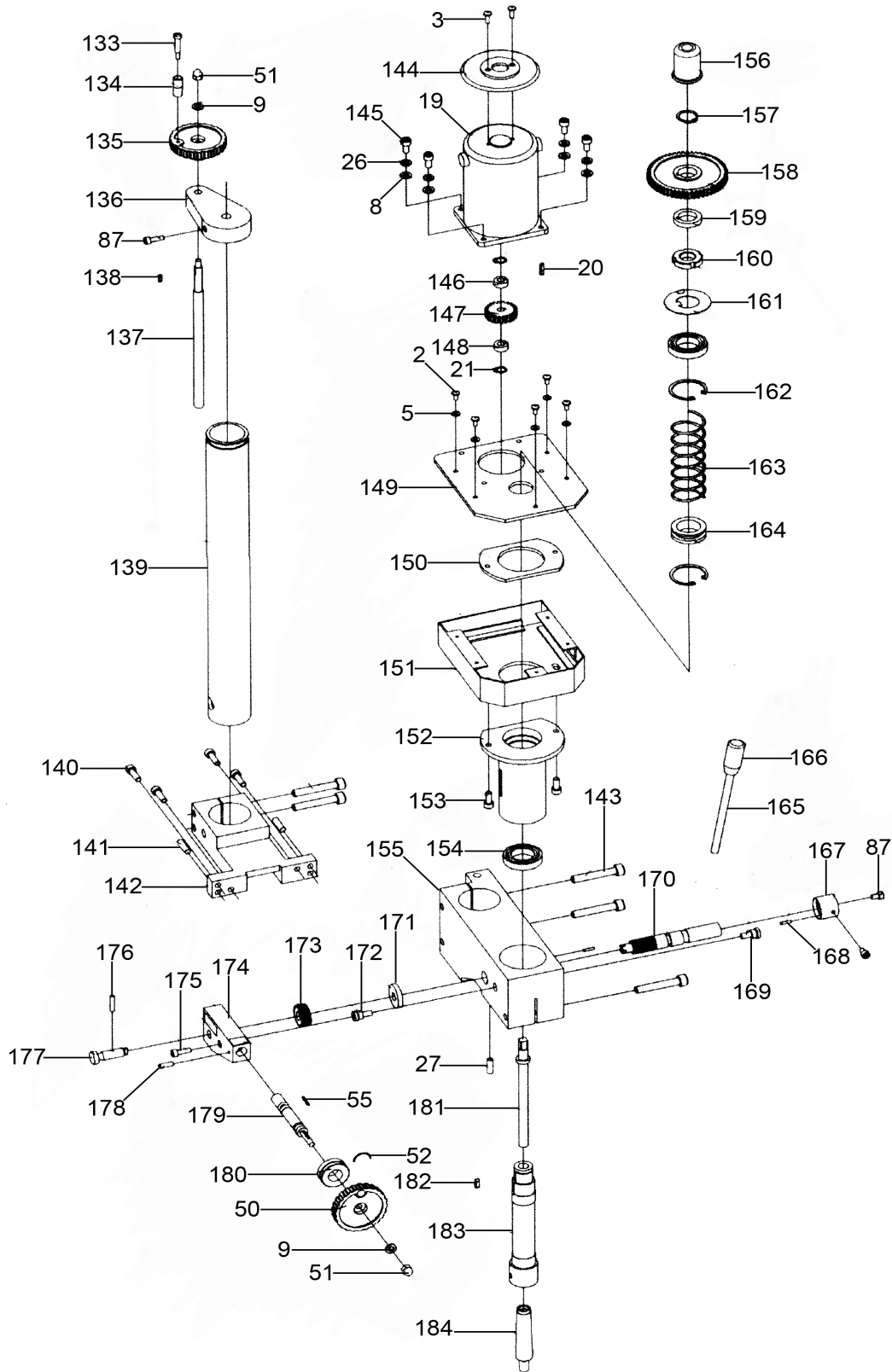


sales@sealey.co.uk



www.sealey.co.uk

Fig. 2



NOTE: It is our policy to continually improve products and as such we reserve the right to alter data, specifications and component parts without prior notice. There may be alternative versions of this product, please contact us should you require this information.

IMPORTANT: No liability is accepted for incorrect use of product. Spare parts must be fitted by a competent person

WARRANTY: Guarantee is 12 months from purchase date, proof of which will be required for any claim.



Parts Information:
Mini Lathe & Drilling Machine
Model No: XXXXX

Item	Part No.	Description
2	SM2503.002	Cap Screw M4 x 8mm
3	SM2503.003	Cap Screw M4 x 12mm
5	SM2503.005	Washer M4
8	SM2503.008	Half Nut M6, Black
9	FWM6.SB	Flat Washer M6 Black / Flat Washer M6 Black
19	SM2503.019	Motor
20	SM2503.020	Key
21	SM2503.021	Check Ring
26	SM2503.026	Spring Washer M6
27	SM2503.027	Screw M6 x 20mm
50	SM2503.050	Handwheel
51	SN6.SD	Steel Nut M6, Domed
52	SM2503.052	Spring
55	SM2503.055	Key
87	SM2503.087	Screw M5 x 8mm
133	SM2503.133	Bolt M6 x 55mm
134	SM2503.134	Sleeve, Handle
135	SM2503.135	Handwheel
136	SM2503.136	Leadscrew Bracket
137	SM2503.137	Lifter
138	SM2503.138	Woodruff Key
139	SM2503.139	Column
140	SM2503.140	Screw M6 x 18mm
141	SM2503.141	Pin
142	SM2503.142	Column Bracket
143	SM2503.143	Screw M8 x 50mm
144	SM2503.144	Cover, Motor
145	SM2503.145	Screw M6 x 12mm
146	SM2503.146	Spacing Ring
147	SM2503.147	Motor Gear
148	SM2503.148	Spacing Ring
149	SM2503.149	Plate, Cover Up
150	SM2503.150	Fixed Plate, Quill
151	SM2503.151	Gear Box

Item	Part No.	Description
152	SM2503.152	Quill, Spindle
153	SM2503.153	Screw M6 x 14mm
154	SM2503.154	Bearing
155	SM2503.155	Spindle Base
156	SM2503.156	Safety Cover
157	MC550.24	Circlip
158	SM2503.158	Spindle Gear
159	SM2503.159	Spacing Ring
160	SM2503.160	Round Nut M24 x 1.5mm
161	SM2503.161	Washer M24
162	SM2503.162	Circlip
163	SM2503.163	Compression Spring
164	SM2503.164	Support, Spring
165	SM2503.165	Hand Shank
166	SM2503.166	Lever Cap
167	SM2503.167	Sleeve
168	SM2503.168	Spring Pin
169	SM2503.169	Site Screw / Site screw
170	SM2503.170	Gear Shaft
171	SM2503.171	Spacing Ring
172	SM2503.172	Screw, Connect Site
173	SM2503.173	Bevel Gear
174	SM2503.174	Worm Base
175	SM2503.175	Screw M5 x 18mm
176	SM2503.176	Pin
177	SM2503.177	Connect Shaft
178	SM2503.178	Pin
179	SM2503.179	Worm Shaft
180	SM2503.180	Dial
181	SM2503.181	Lock Bolt
182	SM2503.182	Woodruff Key
183	SM2503.183	Spindle, Drill
184	SM2503.184	Taper Shank

NOTE: It is our policy to continually improve products and as such we reserve the right to alter data, specifications and component parts without prior notice. There may be alternative versions of this product, please contact us should you require this information.

IMPORTANT: No liability is accepted for incorrect use of product. Spare parts must be fitted by a competent person

WARRANTY: Guarantee is 12 months from purchase date, proof of which will be required for any claim.

Sealey Group, Kempson Way, Suffolk Business Park, Bury St Edmunds, Suffolk. IP32 7AR



01284 757500



01284 703534



sales@sealey.co.uk



www.sealey.co.uk

Accessories



Item	Part No.	Description
A	SM2503CSET	Collet Set
B	SM2503EMSET	HSS End Mill Set
C	SM2503MCSET	Mill Chuck Set
D	SM2503ICEM	Indexable Carbide End Mill
E	SM2503QV	Vice
F	SM2503RC	Revolving Centre
G	SM2503HC	Live Centre
H	SM2503TC	Tailstock Chuck
I	SM2503THSET	Tool Holder
J	SM2503COBT	Parting Tool & Bore Cutter Set

Item	Part No.	Description
M	SM2503FP	Face Plate
N	SM2503SR	Fixed Steady Rest
O	SM2503TCK	Thread Cutting Kit
P	SM2503FR	Follow Rest
V	SM3002ST	Stand
--	SM2503.AT	Adjusting Tools (Not Shown)
--	SM2503.ST	Setting Tools (Not Shown)
--	SM2503.DCK	Chuck Key, Drill (Not Shown)
--	SM2503.DCG	Guard, Drill Chuck (Not shown)
--	SM2503.LCK	Chuck Key, Lathe (Not Shown)

NOTE: It is our policy to continually improve products and as such we reserve the right to alter data, specifications and component parts without prior notice. There may be alternative versions of this product, please contact us should you require this information.

IMPORTANT: No liability is accepted for incorrect use of product. Spare parts must be fitted by a competent person

WARRANTY: Guarantee is 12 months from purchase date, proof of which will be required for any claim.