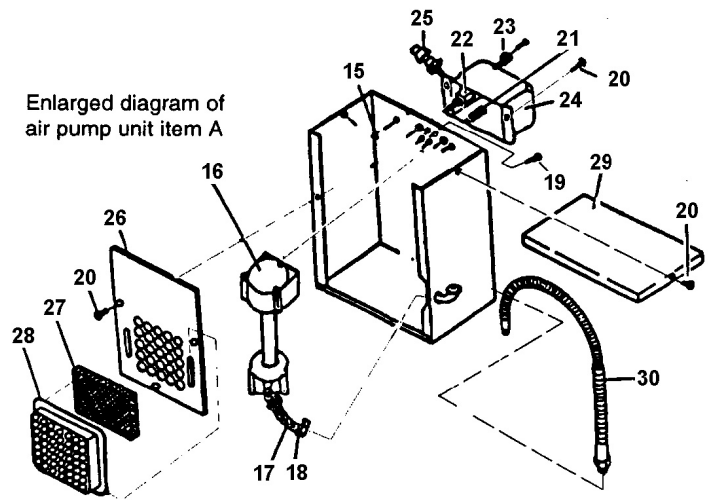


Enlarged diagram of air pump unit item A



| Item | Part No. | Description |
|------|-----------|-----------------------|
| 1 | SM20/003 | Tank |
| 2 | SM20/001 | Tank Cover |
| 3 | SM19V2-06 | Safety Lever Complete |
| 4 | SM22/04 | Rivet & Pin |
| 5 | SM22/05 | Rivet |
| 6 | SM22/06 | Plate |
| 7 | SM20/014 | Drain Nut 3/8 BSP |
| 8 | SM20/011 | Bottom Tray |
| 9 | SM20/013 | Legs,Kit Of 4 |
| 10 | SM22/10 | Screw, Pan |
| 11 | SM22/11 | Washer, Spring |
| 12 | SM22/12 | Nut, Hex |
| 13 | SM20/005 | Inner Tray |
| 14 | SM20/004 | Parts Basket |
| 15 | SM22/15 | Pump Housing |
| 16 | SM22/16 | Pump, Air |

| Item | Part No. | Description |
|------|-------------|------------------------------------|
| 17 | SM22/17 | Hose, Fluid |
| 18 | SM22/18 | Clamp |
| 19 | SM22/19 | Screw |
| 20 | SM22/20 | Screw, Tapping |
| 21 | SM22/21 | Muffer |
| 22 | SM22/22 | Regulator, Air |
| 23 | SM22/23 | Adjustor |
| 24 | SM22/24 | Box |
| 25 | SM22/25 | Connector, Quick |
| 26 | SM22/26 | Cover, Housing, Front |
| 27 | SM20/009B | Filter,Square Type |
| 28 | SM40D.V2-08 | Filter Cover |
| 29 | SM22/29 | Cover, Housing, Top |
| 30 | SM20/006 | Flexible Pipe |
| -- | SM22/FK | Fixing Kit (Inc Tools) (NOT SHOWN) |

NOTE: It is our policy to continually improve products and as such we reserve the right to alter data, specifications and component parts without prior notice.

IMPORTANT: No liability is accepted for incorrect use of product.

WARRANTY: Guarantee is 12 months from purchase date, proof of which will be required for any claim.