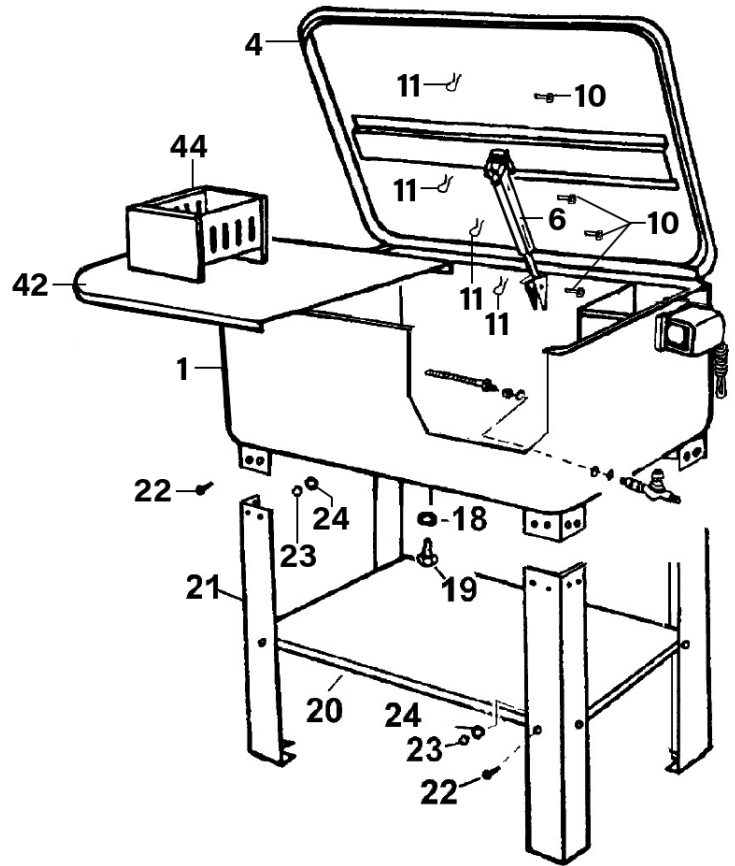
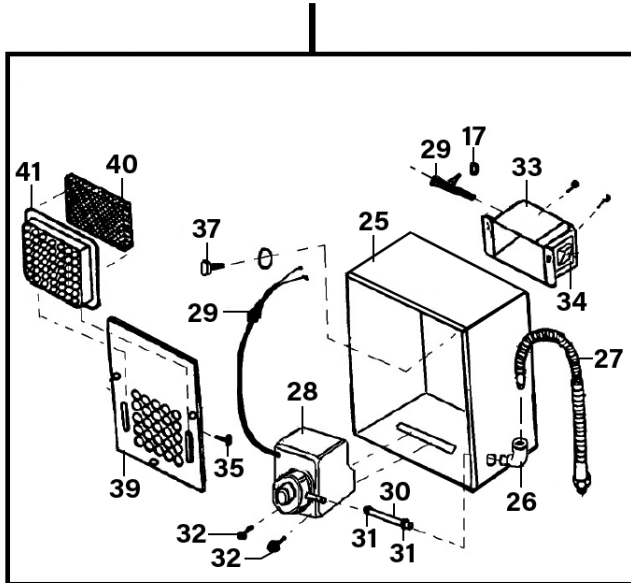


PUMP UNIT



Item	Part No.	Description
1	SM19/01	Tank
4	SM19/04	Cover
6	SM19.V2-06	Safety Lever Complete
10	SM19/10	Pin
11	SM19/11	Pin, Spring
17	SM19/17	Nut
18	SM19/18	O-Ring
19	SM19/19	Plug
20	SM19/20	Shelf
21	SM19/21	Leg
22	SM19/22	Screw, Pan Head
23	SM19/23	Washer, Spring
24	SM19/24	Nut
25	SM19/25	Housing, Pump
26	SM19/26	Elbow
27	SM40D.V2-18	Flexible Pipe
28	SM21.V3-28	Pump
29	SM19/29	Grommet, Cable

Item	Part No.	Description
30	SM19/30	Hose
31	SM19.V2-31	Hose Clamp
32	SM19/32	Screw, S/Tapping
33	SM19/33	Housing, Switch
34	SM40D.V2-21	Switch, On/Off Rocker 16A 250V
35	SM19/35	Screw, S/Tapping
37	SM19/37	Screw, Pan Head
39	SM19/39	Cover, Pump Housing
40	SM40D.V2-09	Filter
41	SM40D.V2-08	Filter Cover
42	SM19/42	Shelf, Internal
44	SM19/44	Basket
--	SM19/43	Leg, Internal Shelf (Not Shown)
--	SM223/05	Rd Head S/T Screw M4 X 10 (Not Shown)
--	SM20TX.01	Tank For Turbo (Not Shown)
--	SM20TX/TURBO	Turbo Unit (Not Shown)
--	SM19/34A	Rubber Boot For Switch (Not Shown)

NOTE: It is our policy to continually improve products and as such we reserve the right to alter data, specifications and component parts without prior notice. There may be alternative versions of this product, please contact us should you require this information.

IMPORTANT: No liability is accepted for incorrect use of product. Spare parts must be fitted by a competent person

WARRANTY: Guarantee is 12 months from purchase date, proof of which will be required for any claim.