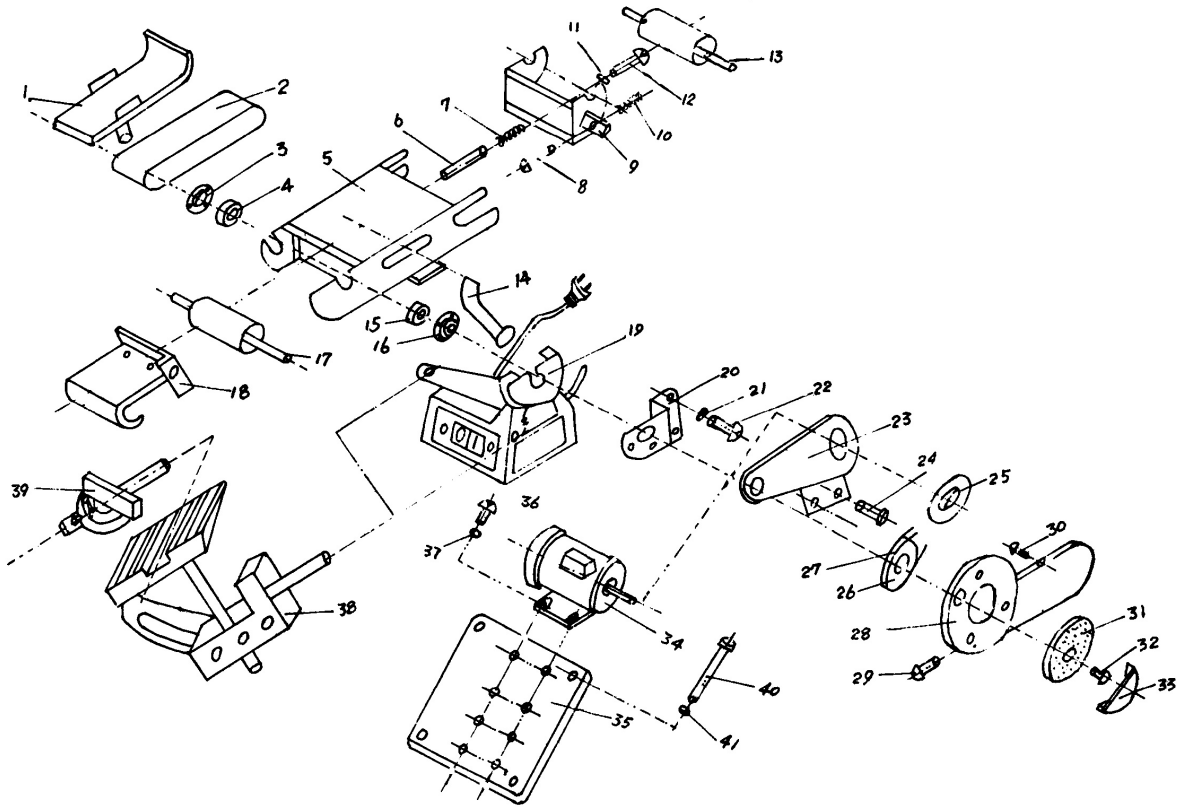


Parts Information:  
**Belt/Disc Sander Bench Mounting 915 x 100mm/Ø150mm**  
**Model No: SM14.V4**



| Item | Part No.    | Description                      |
|------|-------------|----------------------------------|
| 1    | SM14C/01    | Front Belt Guard                 |
| 2    | SM14/B060G  | Sanding Belt 100 x 915mm 60Grit  |
| 2    | SM14/B100G  | Sanding Belt 100 x 915mm 100Grit |
| 3    | SM14C/03    | Bearing Retainer                 |
| 4    | B/6201Z     | Bearing 6201Z                    |
| 5    | SM14C/05    | Work Table                       |
| 6    | SM14C/06    | Drawing Rod                      |
| 7    | SM14C/07    | Spring                           |
| 8    | SM14C/08    | Adjusting Screw                  |
| 9    | SM14C/09    | Support                          |
| 10   | SM14C/10    | Spring                           |
| 11   | SM14C/11    | Washer                           |
| 12   | SM14C/12    | Screw m6x10                      |
| 13   | SM14C/13    | Guide Wheel                      |
| 14   | SM14C/14    | Handle                           |
| --   | SM14C.14-1  | Screw (NOT SHOWN)                |
| 15   | B/6201Z     | Bearing 6201Z                    |
| 16   | SM14C/16    | Bearing Retainer                 |
| 17   | SM14C/17    | Guide Wheel                      |
| 18   | SM14C/18    | Back Belt Guard                  |
| 19   | SM14C.V4-19 | Pivot Bracket (Blue)             |
| 20   | SM14C/20    | Reinforce Plate                  |

| Item | Part No.    | Description                 |
|------|-------------|-----------------------------|
| --   | SM14C/20-1  | Coach Bolt (NOT SHOWN)      |
| 21   | SM14C/21    | Lock Washer                 |
| 22   | SM14C/22    | Screw m10x8                 |
| 23   | SM14C.V4-23 | V-Belt Cover (Blue)         |
| 24   | SM14C/24    | Screw m6x10                 |
| 25   | SM14C/25    | Belt Pulley                 |
| 26   | SM14C/26    | Belt Pulley                 |
| 27   | V/M21-1/4   | V-Belt (id-540) m21-1/4     |
| 28   | SM14C/28    | V-Belt Cover                |
| 29   | SM14C/29    | Screw m4x6                  |
| 30   | SM14C/30    | Screw m4x6                  |
| 31   | SM14C/31    | Aluminium Disc              |
| 32   | SM14C/32    | Screw m4x6                  |
| 33   | SM14C/33    | Fence                       |
| 34   | SM14C.V3-34 | Motor                       |
| 35   | SM14C.V4-35 | Base (Blue)                 |
| 36   | SM14C/36    | Screw m10x50                |
| 37   | SM14C/37    | Washer                      |
| 38   | SM14C/38    | Work Table Unit             |
| 39   | SM14C/39    | Angle Gauge Unit            |
| 40   | SM14C/40    | Top Rod M8                  |
| 41   | SN8.SB      | Steel Nut M8 Black (Single) |

**NOTE:** It is our policy to continually improve products and as such we reserve the right to alter data, specifications and component parts without prior notice.

**IMPORTANT:** No liability is accepted for incorrect use of product.

**WARRANTY:** Guarantee is 12 months from purchase date, proof of which will be required for any claim.