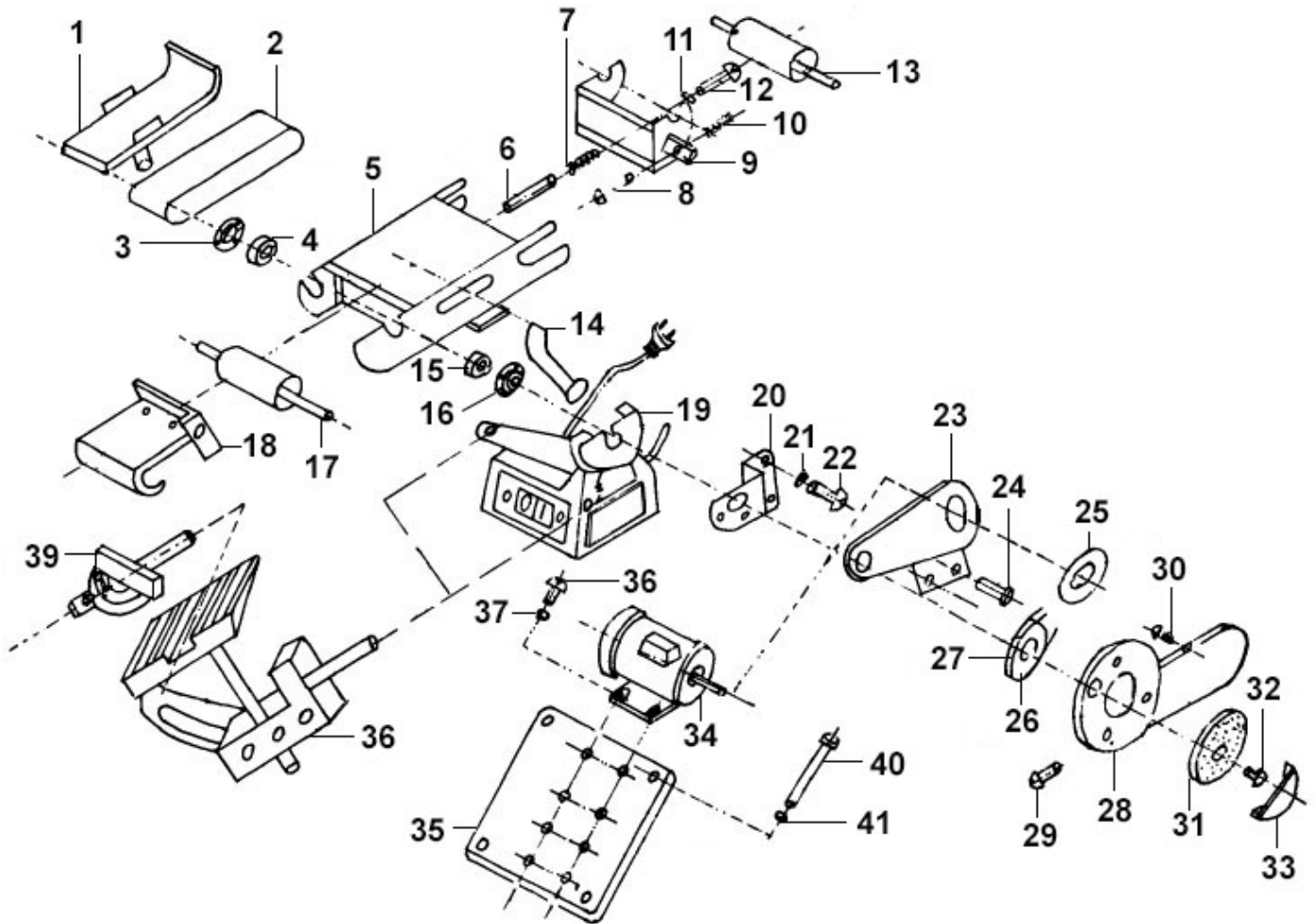




Parts Information:  
Belt/Disc Sander Bench Mounting 915 x  
100mm/Ø150mmd  
Model No: SM14C.V3



**NOTE:** It is our policy to continually improve products and as such we reserve the right to alter data, specifications and component parts without prior notice. There may be alternative versions of this product, please contact us should you require this information.

**IMPORTANT:** No liability is accepted for incorrect use of product. Spare parts must be fitted by a competent person

**WARRANTY:** Guarantee is 12 months from purchase date, proof of which will be required for any claim.

Sealey Group, Kempson Way, Suffolk Business Park, Bury St Edmunds, Suffolk. IP32 7AR



01284 757500



01284 703534



sales@sealey.co.uk



www.sealey.co.uk



Parts Information:  
**Belt/Disc Sander Bench Mounting 915 x  
100mm/Ø150mmd  
Model No: SM14C.V3**

Item	Part No.	Description
1	SM14C/01	Front Belt Guard
2	SM14/B060G	Sanding Belt 100 x 915mm 60Grit
2	SM14/B100G	Sanding Belt 100 x 915mm 100Grit
3	SM14C/03	Bearing Retainer
4	B/6201Z	Bearing 6201Z
5	SM14C/05	Work Table
6	SM14C/06	Drawing Rod
7	SM14C/07	Spring
8	SM14C/08	Adjusting Screw
9	SM14C/09	Support
10	SM14C/10	Spring
11	SM14C/11	Washer
12	SM14C/12	Screw M6x10
13	SM14C/13	Guide Wheel
14	SM14C/14	Handle
15	B/6201Z	Bearing 6201Z
16	SM14C/16	Bearing Retainer
17	SM14C/17	Guide Wheel
18	SM14C/18	Back Belt Guard
19	SM14C/19	Pivot Bracket (Green)
20	SM14C/20	Reinforce Plate
21	SM14C/21	Lock Washer

Item	Part No.	Description
22	SM14C/22	Screw M10x8
23	SM14C/23	V-Belt Cover (Green)
24	SM14C/24	Screw M6x10
25	SM14C/25	Belt Pulley
26	SM14C/26	Belt Pulley
27	V/M21-1/4	V-Belt (ID-540) M21-1/4
28	SM14C/28	V-Belt Cover
29	SM14C/29	Screw M4x6
30	SM14C/30	Screw M4x6
31	SM14C/31	Aluminium Disc
32	SM14C/32	Screw M4x6
33	SM14C/33	Fence
34	SM14C.V3-34	Motor
35	SM14C/35	Base (Green)
36	SM14C/36	Screw M10x50
37	SM14C/37	Washer
38	SM14C/38	Work Table Unit
39	SM14C/39	Angle Gauge Unit
40	SM14C/40	Top Rod M8
41	SN8.SB	Steel Nut M8 Black (Single)
--	SM14/D80G	Sanding Disc Ø150mm 80Grit (Not Shown)
--	V/M20	V-Belt (ID-515) M20 (Not Shown)

**NOTE:** It is our policy to continually improve products and as such we reserve the right to alter data, specifications and component parts without prior notice. There may be alternative versions of this product, please contact us should you require this information.

**IMPORTANT:** No liability is accepted for incorrect use of product. Spare parts must be fitted by a competent person

**WARRANTY:** Guarantee is 12 months from purchase date, proof of which will be required for any claim.

**Sealey Group**, Kempson Way, Suffolk Business Park, Bury St Edmunds, Suffolk. IP32 7AR



01284 757500



01284 703534



sales@sealey.co.uk



www.sealey.co.uk