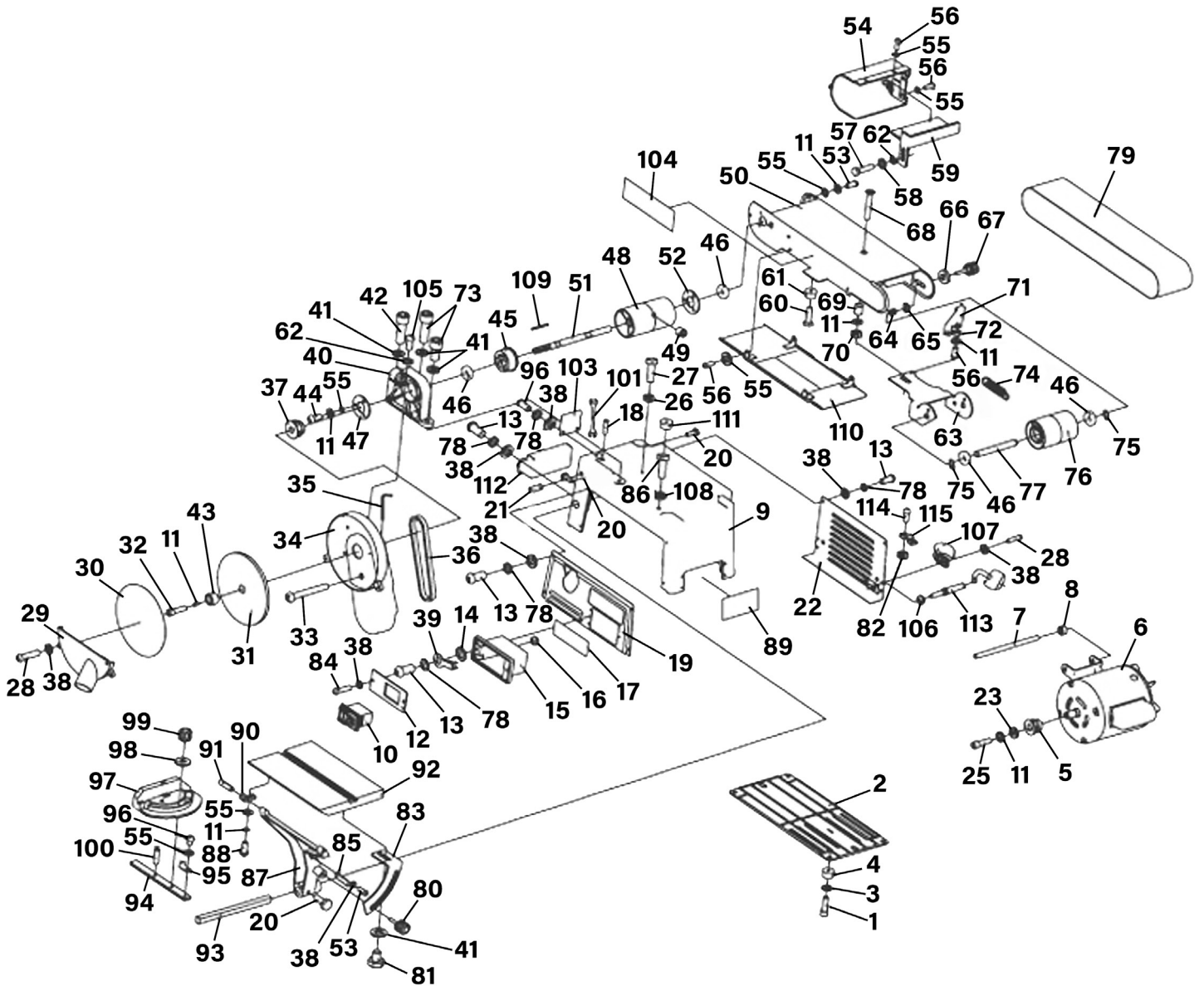


Parts Information:
Belt/Disc Sander Bench Mounting 915 x 100mm/Ø150mm
Model No: SM14.V6



Item	Part No.	Description
1	MSP516.SB	Machine Screw Pan Head Phillips M5 x 16mm Black
2	SM14C-V6-02	Floor Plate (Grey)
3	RW519.S	Repair Washer M5 x 19mm
4	SM14C.V5-04	Foot
5	SM14C.V5-05	Motor Pulley
6	SM14C.V5-06	Motor (Internal 230v 500w)

Item	Part No.	Description
7	SM14C.V5-07	Motor Rod
8	SM14C.V5-08	E-Ring
9	SM14C-V6-09	Base (Grey)
10	SM14C.V5-10	Magnetic Press Button Switch On/Off 6A 250V
11	SWM5.S	Spring Washer M5 Zinc
12	SM14C.V5-12	Fixing Plate, Switch

NOTE: It is our policy to continually improve products and as such we reserve the right to alter data, specifications and component parts without prior notice. There may be alternative versions of this product, please contact us should you require this information.

IMPORTANT: No liability is accepted for incorrect use of product. Spare parts must be fitted by a competent person

WARRANTY: Guarantee is 12 months from purchase date, proof of which will be required for any claim.



Parts Information:
Belt/Disc Sander Bench Mounting 915 x 100mm/Ø150mm
Model No: SM14.V6

Item	Part No.	Description
13	MSP48.S	Machine Screw Pan Head Phillips M4 x 8mm
14	BB2002.15	Ext Tooth Washer M4, Black
15	SM14C.V5-15	Housing, Switch
16	SM14C.V5-16	Strain Relief
17	SM14C.V5-17	Label
18	SM14C.V5-18	Pin
19	SM14C-V6-19	Front Cover (A) (Grey)
20	SS820.S	Hex Head Set Screw M8 x 20mm
21	GSM612.S	Grub Screw M6 x 12mm
22	SM14C-V6-22	Plate Cover (A) (Grey)
23	SM14C.V5-23	Dished Washer
25	SM14C.V5-25	Screw M5 x 10mm
26	SN6.S	Steel Nut M6
27	SS625.S	Hex Head Set Screw M6 x 25mm
28	MSP416.S	Machine Screw Pan Head Phillips M4 x 16mm
29	SM14C.V5-29	Disc Cover
30	SSD02	Sanding Disc Ø150mm 80Grit Adhesive Backed
31	SM14C.V5-31	Sanding Plate
32	SCB515.SB	Socket Cap Bolt M5 x 15mm Black
33	MSP642.S	Machine Screw Pan Head Phillips M6 x 42mm
34	SM14C.V5-34	Pulley Cover
35	SM14C.V5-35	Hex Wrench
36	SM14C.V5-36	Drive Belt, Ribbed (150x1037)
37	SM14C.V5-37	Spindle Pulley
38	FWM4.S	Flat Washer M4
39	SM14C.V5-39	Earth Strip
40	SM14C.V5-40	Bracket
41	FWM8.S	Flat Washer M8 Zinc
42	SCB825.SB	Socket Cap Bolt M8 x 25mm Black
43	SM14C.V5-43	Spacer
44	MSP535.S	Machine Screw Pan Head Phillips M5 x 35mm
45	SM14C.V5-45	Bearing Seat
46	B/6001ZZ	Bearing 6001ZZ
47	SM14C.V5-47	Bearing Cover
48	SM14C.V5-48	Drive Pulley
49	GSM815.S	Grub Screw M8 x 15mm
50	SM14C-V6-50	Belt Cover (Grey)
51	SM14C.V5-51	Drive Shaft
52	SM14C.V5-52	Bearing Cap

Item	Part No.	Description
53	MSP510.S	Machine Screw Pan Head Phillips M5 x 10mm
54	SM14C.V5-54	Dust Collector
55	SM14C.V5-55	Repair Washer M4
56	SM14C.V5-56	Screw M4 x 8mm
57	SS620.S	Hex Head Set Screw M6 x 20mm
58	SWM6.S	Spring Washer M6 Zinc
59	SM14C-V6-59	Support (Grey)
60	SS830.S	Hex Head Set Screw M8 x 30mm
61	SM14C.V5-61	Washer
62	SM14C.V5-62	Washer
63	SM14C.V5-63	Arm
64	SM14C.V5-64	Spring Dia 11.5mm
65	SM14C.V5-65	Washer
66	RW619.S	Repair Washer M6 x 19mm
67	SM14C.V5-67	Knob, Plastic, Knurled, OD: 23mm L: 55mm, M5x30mm Threaded Male Fitting
68	SM14C.V5-68	Screw M5 x 30mm
69	SM14C.V5-69	Washer
70	NLN5.S	Nyloc Nut M5
71	SM14C.V5-71	Lever
72	SM14C.V5-72	Insert
73	SCB815.SB	Socket Cap Bolt M8 x 15mm Black
74	SM14C.V5-74	Spring Dia 15.4mm
75	1050CXLE.08	External Circlip 13.5mm ID.
76	SM14C.V5-76	Pulley
77	SM14C.V5-77	Shaft
78	SWM4.SB	Spring Washer M4 Black
80	SM14C.V5-80	Knob, Plastic, OD: 32mm L: 50mm, M5x15mm Threaded Male Fitting
81	SS812.S	Hex Head Set Screw M8 x 12mm
82	SN3.S	Steel Nut M3
83	SM14C.V5-83	Angle Base
84	SM14C.V5-84	Screw M4 x 20mm
85	SM14C.V5-85	Pointer
86	SS825.S	Hex Head Set Screw M8 x 25mm
87	SM14C-V6-87	Table Stand (Grey)
88	MSP512.S	Machine Screw Pan Head Phillips M5 x 12mm
89	SM14C.V5-89	Label
90	SM14C.V5-90	Bracket Base
91	SM14C.V5-91	Pin

NOTE: It is our policy to continually improve products and as such we reserve the right to alter data, specifications and component parts without prior notice. There may be alternative versions of this product, please contact us should you require this information.

IMPORTANT: No liability is accepted for incorrect use of product. Spare parts must be fitted by a competent person

WARRANTY: Guarantee is 12 months from purchase date, proof of which will be required for any claim.

Sealey Group, Kempson Way, Suffolk Business Park, Bury St Edmunds, Suffolk. IP32 7AR



01284 757500



01284 703534



sales@sealey.co.uk



www.sealey.co.uk



Parts Information:
Belt/Disc Sander Bench Mounting 915 x 100mm/Ø150mm
Model No: SM14.V6

Item	Part No.	Description
92	SM14C-V6-92	Table (Grey)
93	SM14C.V5-93	Shaft
94	SM14C.V5-94	Fence Bar
95	SM14C.V5-95	Pointer
96	MSP46.S	Machine Screw Pan Head Phillips M4 x 6mm
97	SM14C.V5-97	Angle Body
98	SM14C.V5-98	Washer M6
99	SM14C.V5-99	Knob, Plastic, OD: 30mm L: 48mm, M5x20mm Threaded Male Fitting
100	SM14C.V5-100	Pin
101	SM14C.V5-101	Wrench (10/14mm)
103	SM14C.V5-103	Wrench Clamp
104	SM14C.V5-104	Label
105	MSP610.S	Machine Screw Pan Head Phillips M6 x 10mm
106	SM14C.V5-106	Fixing Cord

Item	Part No.	Description
107	SM14C.V5-107	Cable Grip
108	SN8.S	Steel Nut M8 Zinc
109	SM14C.V5-109	Woodruff Key (4x4x30)
110	SM14C.V5-110	Protection Cover
111	SM14C.V5-111	Rubber Cap
112	SM14C.V5-112	End Plate
113	SM14C.V5-113	Protection Cover
114	MSP38.S	Machine Screw Pan Head Phillips M3 x 8mm
115	SM14C.V5-115	Cord Clamp
		Please choose required Grit
79	SB0014	Sanding Belt 915 x 100mm 80Grit
79	SB0015	Sanding Belt 915 x 100mm 80Grit
79	SB0016	Sanding Belt 915 x 100mm 100Grit

NOTE: It is our policy to continually improve products and as such we reserve the right to alter data, specifications and component parts without prior notice. There may be alternative versions of this product, please contact us should you require this information.

IMPORTANT: No liability is accepted for incorrect use of product. Spare parts must be fitted by a competent person

WARRANTY: Guarantee is 12 months from purchase date, proof of which will be required for any claim.

Sealey Group, Kempson Way, Suffolk Business Park, Bury St Edmunds, Suffolk. IP32 7AR



01284 757500



01284 703534



sales@sealey.co.uk



www.sealey.co.uk