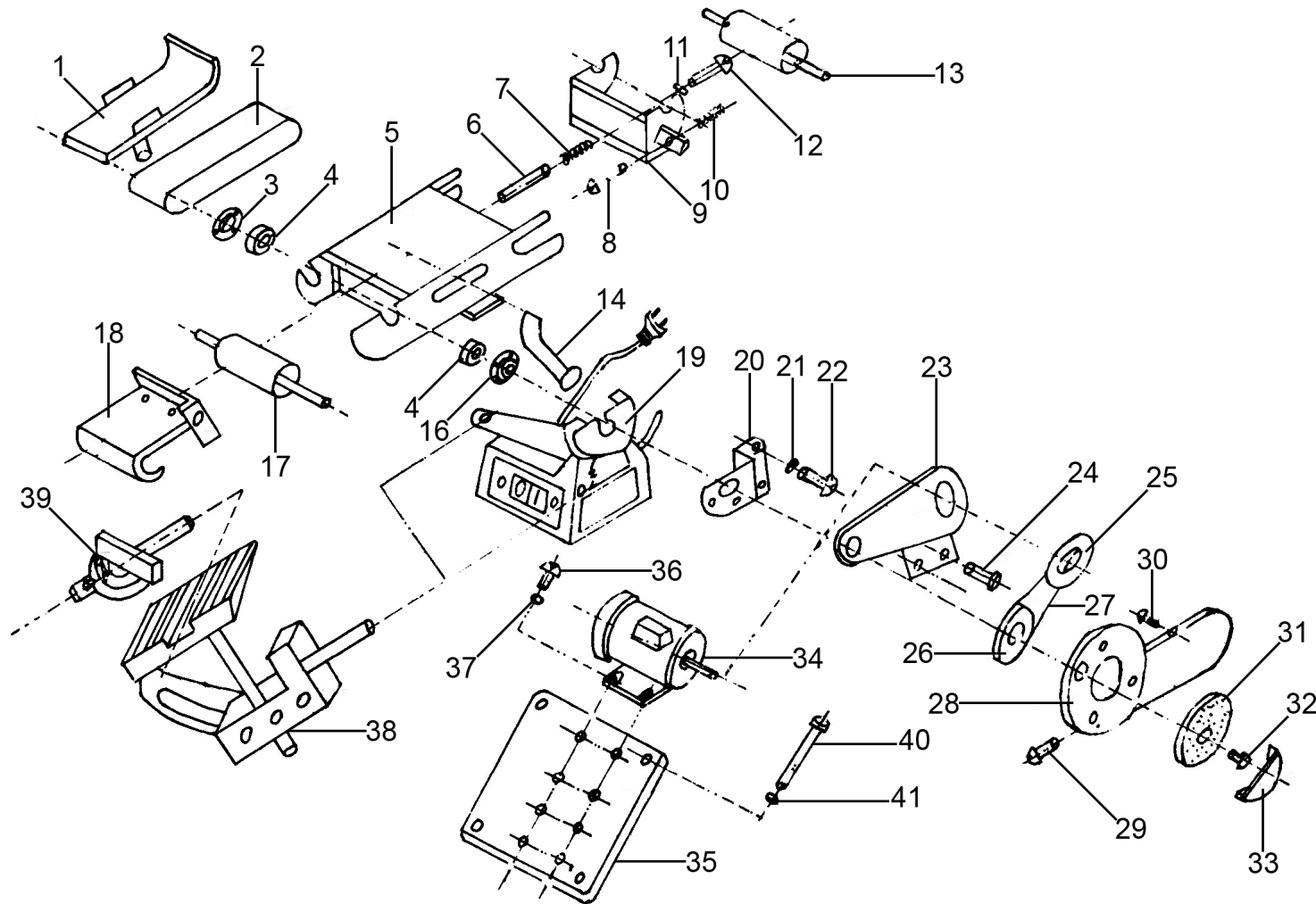




Parts Information:
Belt/Disc Sander Bench Mounting 915 x 100mm/Ø150mm
Model No: SM14.V4



NOTE: It is our policy to continually improve products and as such we reserve the right to alter data, specifications and component parts without prior notice.

There may be alternative versions of this product, please contact us should you require this information.

IMPORTANT: No liability is accepted for incorrect use of product. Spare parts must be fitted by a competent person

WARRANTY: Guarantee is 12 months from purchase date, proof of which will be required for any claim.

Sealey Group, Kempson Way, Suffolk Business Park, Bury St Edmunds, Suffolk. IP32 7AR



01284 757500



01284 703534



sales@sealey.co.uk



www.sealey.co.uk



Parts Information:
**Belt/Disc Sander Bench Mounting 915 x
100mm/Ø150mm**
Model No: SM14.V4

Item	Part No.	Description
1	SM14C/01	Front Belt Guard
2	SM14/B060G	Sanding Belt 60G
3	SM14C/03	Bearing Retainer
4	B/6201Z	Bearing
5	SM14C/05	Work Table
6	SM14C/06	Drawing Rod
7	SM14C/07	Spring
8	SM14C/08	Adjusting Screw
9	SM14C/09	Support
10	SM14C/10	Spring
11	SM14C/11	Washer
12	SM14C/12	Screw M6 x 10mm
13	SM14C/13	Guide Wheel
14	SM14C/14	Handle
16	SM14C/16	Bearing Retainer
17	SM14C/17	Guide Wheel
18	SM14C/18	Belt Guard, Rear
19	SM14C.V4-19	Pivot Bracket
20	SM14C/20	Reinforce Plate
21	SM14C/21	Lock Washer
22	SM14C/22	Screw M10 x 8mm
23	SM14C.V4-23	Cover, Belt

Item	Part No.	Description
24	SM14C/24	Screw M6 x 10mm
25	SM14C/25	Pulley, Belt
26	SM14C/26	Pulley, Belt
27	V/M21-1/4	V-Belt
28	SM14C/28	Cover, Belt
29	SM14C/29	Screw M4 x 6mm
30	SM14C/30	Screw M4 x 6mm
31	SM14C/31	Aluminium Disc
32	SM14C/32	Screw M4 x 6mm
33	SM14C/33	Fence
34	SM14C.V3-34	Motor
35	SM14C.V4-35	Base
36	SM14C/36	Screw M10 x 50mm
37	SM14C/37	Washer
38	SM14C/38	Work Table Unit
39	SM14C/39	Angle Gauge Unit
40	SM14C/40	Top Rod
41	SN8.SB	Steel Nut M8 Black
--	SM14/B100G	Sanding Belt 100Grit (Not Shown)
--	SM14C.14-1	Screw (Not Shown)
--	SM14C/20-1	Coach Bolt (Not Shown)

NOTE: It is our policy to continually improve products and as such we reserve the right to alter data, specifications and component parts without prior notice. There may be alternative versions of this product, please contact us should you require this information.

IMPORTANT: No liability is accepted for incorrect use of product. Spare parts must be fitted by a competent person

WARRANTY: Guarantee is 12 months from purchase date, proof of which will be required for any claim.

Sealey Group, Kempson Way, Suffolk Business Park, Bury St Edmunds, Suffolk. IP32 7AR



01284 757500



01284 703534



sales@sealey.co.uk



www.sealey.co.uk