

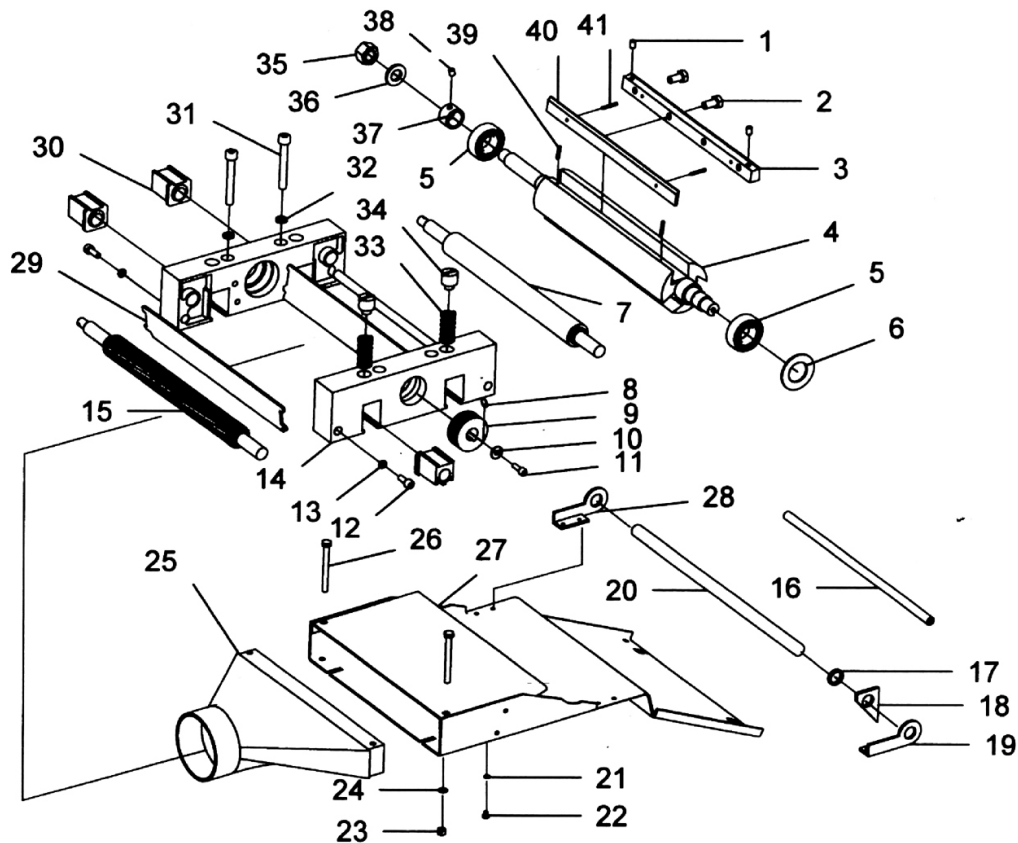
Item	Part No.	Description
	SM1314.T	Table Ass'y
1	SM1314.01	Working Table Extension (A)
2	SM1314.02	Knob
3	SM1314.03	Handle Shaft
4	SM1314.04	Washer
5	SM1314.05	Nut
6	SM1314.06	Cover, Blade Guard
7	SM1314.07	Blade Guard
8	SM1314.08	Knob
9	SM1314.09	Adjusting Screw
10	SM1314.10	Knob
11	SM1314.11	Base, Blade Guard
12	SM1314.12	Scale-Board
13	SM1314.13	Screw (m4x8)
14	SM1314.14	Skate
15	SM1314.15	Adjusting Plate
16	SM1314.16	Shaft
17	SM1314.17	Nut
18	SM1314.18	Screw (m6x8 Pan Head PZ)
19	SM1314.19	Handle, (m10x80x80)
20	SM1314.20	Spring
21	SM1314.21	Square Tube
22	SM1314.22	Adjusting Shaft
23	SM1314.23	Washer
24	SM1314.24	Bracket (A)
25	SM1314.25	Set Screw (m8x8)
26	SM1314.26	Screw

Item	Part No.	Description
27	SM1314.27	Plate, Switch Control
28	SM1314.28	Hex Head Socket Screw m6x20
29	SM1314.29	Flat Washer
30	SM1314.30	Hornwork
31	SM1314.31	M8x12 Set Screw bzp 4.8
32	SCB840.SB	Socket Head Cap Screw m8x40 Black
33	SM1314.33	Shim
34	SM1314.34	Bolt m8x25
35	SM1314.35	Support plate
36	SM1314.36	Washer
37	SM1314.37	Working Table Extension (B)
38	SM1314.38	Cap Nut M8
39	SS855.S	Hex Head Set Screw m8x55mm Single
40	SM1314.40	Bracket (B)
41	SM1314.41	Nut
42	SM1314.42	Flat Washer
43	SM1314.43	Ring
44	SM1314.44	Axle
45	SM1314.45	Plate
46	SM1314.46	Screw (m8x40)
47	SM1314.47	Link Plate
48	SM1314.48	Adjusting Knob
49	SM1314.49	Screw (m8x35)
50	SM1314.50	Lift Pole (B)
51	SM1314.51	Draw Bar
52	SM1314.52	Lift Pole (A)
53	SM1314.53	Flat Washer

NOTE: It is our policy to continually improve products and as such we reserve the right to alter data, specifications and component parts without prior notice.

IMPORTANT: No liability is accepted for incorrect use of product.

WARRANTY: Guarantee is 12 months from purchase date, proof of which will be required for any claim.



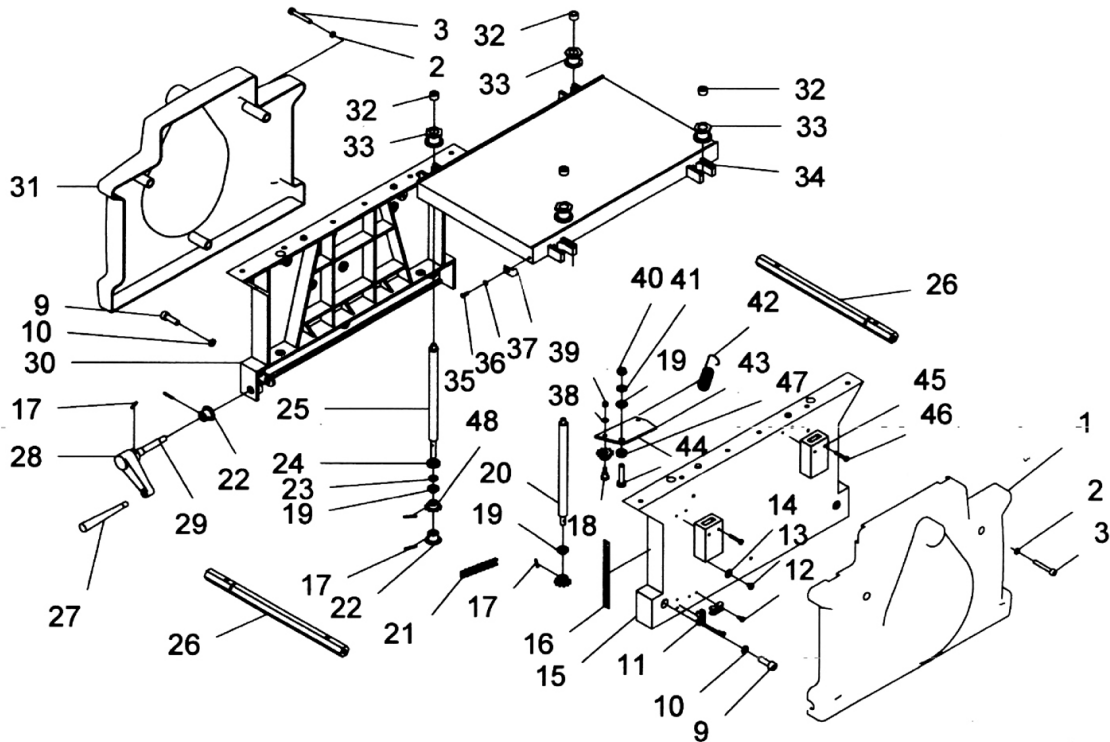
Item	Part No.	Description
	SM1314.C	Cutter Ass'y
1	SM1314.C01	Set Screw (m6x8 Grub Screw)
2	SS610.SB	Hex Head Set Screw m6x10mm Single Black
3	SM1314.C03	Bar, Knife Setting
4	SM1314.C04	Cutter
5	B/6004ZZ	Bearing 6004ZZ
6	SM1314.C06	Washer
7	SM1314.C07	Roller
8	SM1314.C08	Key (5x12)
9	SM1314.C09	Pulley
10	SM1314.C10	Flat Washer
11	SM1314.C11	Screw (m6x20)
12	SM1314.C12	Screw (m6x25)
13	SWM6.SB	Spring Washer M6 Black(Single)
14	SM1314.C14	Frame
15	SM1314.C15	Roller, Inwards
16	SM1314.C16	Fixed Pole
17	SM1314.C17	Washer
18	SM1314.C18	Block
19	SM1314.C19	Plate, Left Side
20	SM1314.C20	Link

Item	Part No.	Description
21	SWM4.SB	Spring Washer M4 Black (Single)
22	SM1314.C22	Cap Screw
23	SN5.S	Steel Nut M5 Zinc din934 (Single)
24	SM1314.C24	Flat Washer
25	SM1314.C25	Dust Collection Chute
26	SM1314.C26	Bolt (m5x50)
27	SM1314.C27	Exit Plate
28	SM1314.C28	Plate, Right Side
29	SM1314.C29	Shield
30	SM1314.C30	Support Block
31	SCB860.SB	Socket Head Cap Screw m8x60 Black
32	SM1314.W10	M8 Spring Washer S/C
33	SM1314.C33	Spring
34	SM1314.C34	Thread Block
35	SN14.S	Steel Nut M14 Zinc din934(Single)
36	SM1314.C36	Washer, Large
37	SM1314.C37	Washer
38	GSM68.S	Grub Screw m6x8 (Single)
39	SM1314.C39	Spring
40	SM1314.C40	HSS Blade
41	SM1314.C41	Pin (3x16)

NOTE: It is our policy to continually improve products and as such we reserve the right to alter data, specifications and component parts without prior notice.

IMPORTANT: No liability is accepted for incorrect use of product.

WARRANTY: Guarantee is 12 months from purchase date, proof of which will be required for any claim.



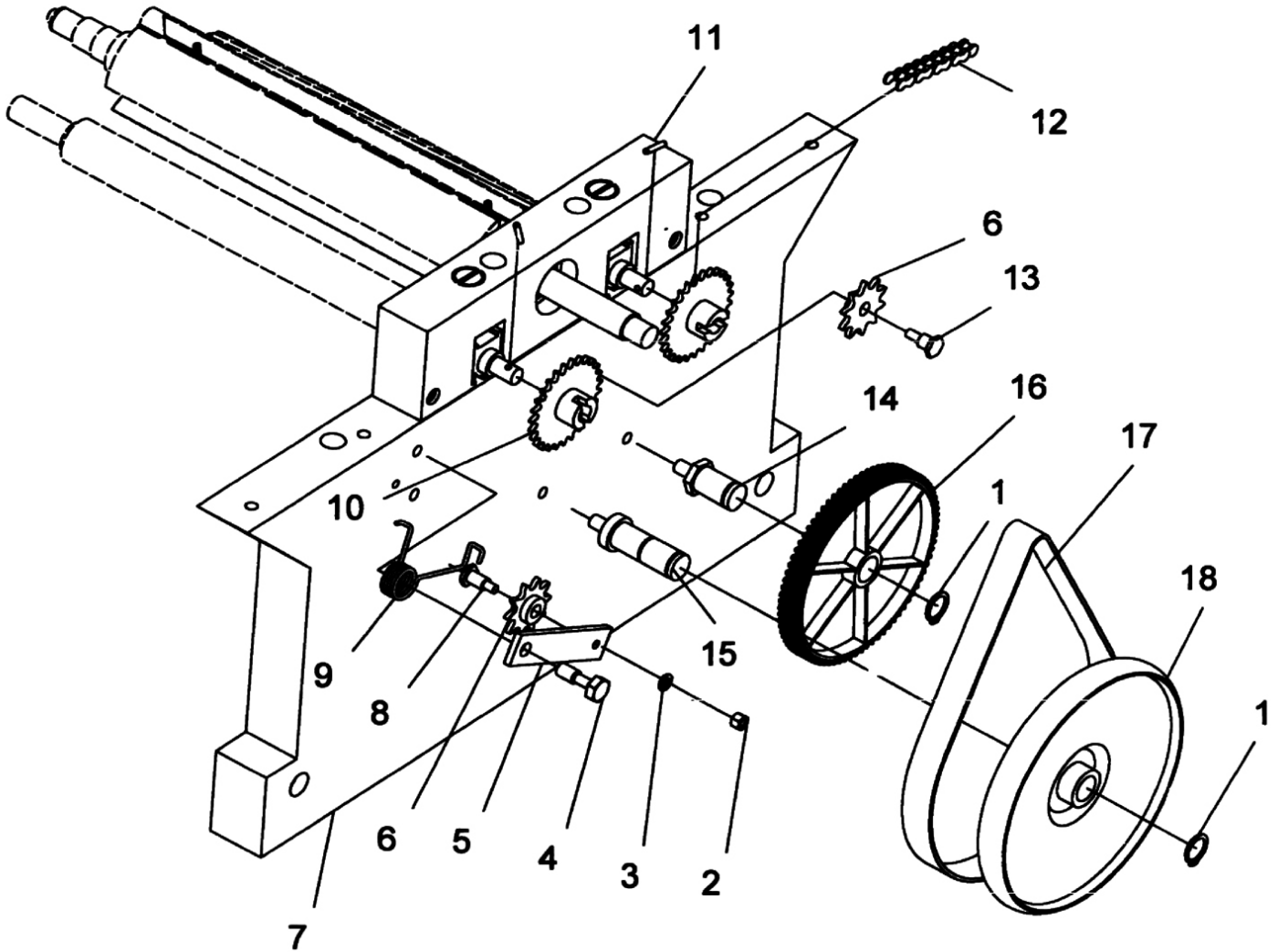
Item	Part No.	Description
	SM1314.W	Working Table Ass'y
1	SM1314.W01	Side Cover (A)
2	SWM6.SB	Spring Washer M6 Black(Single)
3	SM1314.W03	Screw (m6x40)
9	SM1314.W09	Screw (m8x25)
10	SM1314.W10	M8 Spring Washer S/C
11	SM1314.W11	Grip
12	SM1314.W12	Screw (m4x12)
13	SM1314.W13	Screw (m4x15)
14	SM1314.W14	Gear Washer
15	SM1314.W15	Side Plate (B)
16	SM1314.W16	Scale
17	SM1314.W17	Pin (3x16)
18	SM1314.W18	Bolt m5x18
19	SM1314.W19	Washer
20	SM1314.W20	Short Screw
21	SM1314.W21	Chain
22	SM1314.W22	Bevel Gear
23	SM1314.W23	Washer
24	SM1314.W24	Washer
25	SM1314.W25	Long Screw
26	SM1314.W26	Base Pole

Item	Part No.	Description
27	SM1314.W27	Handle
28	SM1314.W28	Handle Body
29	SM1314.W29	Handle Shaft
30	SM1314.W30	Side Plate (A)
31	SM1314.W31	Side Cover (B)
32	SM1314.W32	Case
33	SM1314.W33	Lift Nut
34	SM1314.W34	Working Table
35	SM1314.W35	Screw (m4x8)
36	SM1314.W36	Flat Washer
37	SM1314.W37	Pointer
38	SM1314.W38	Flat Washer
39	NLN5.S	Nyloc Nut M5 Zinc Din 985 (Single)
40	NLN8.S	Nyloc Nut M8 Zinc Din 985 (Single)
41	SM1314.W41	Flat Washer
42	SM1314.W42	Spring
43	SM1314.W43	Plate
44	SM1314.34	Bolt m8x25
45	SM1314.W45	Control Switch
46	MSP430.S	Machine Screw Pan Head Phillips m4x30mm (Single)
47	SM1314.W47	Case
48	SM1314.W48	Gear

NOTE: It is our policy to continually improve products and as such we reserve the right to alter data, specifications and component parts without prior notice.

IMPORTANT: No liability is accepted for incorrect use of product.

WARRANTY: Guarantee is 12 months from purchase date, proof of which will be required for any claim.



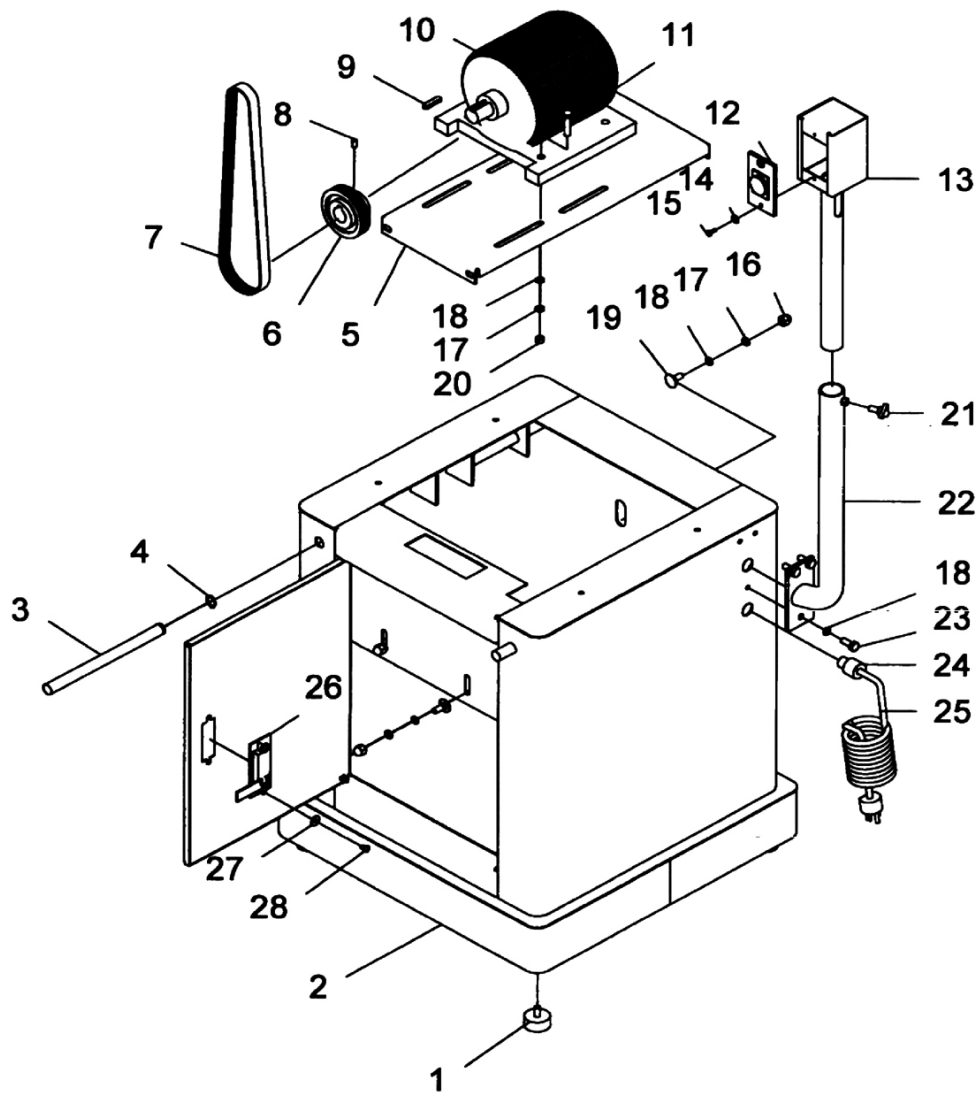
Item	Part No.	Description
	SM1314.CH	Chain System Ass'y
1	SM1314.CH01	Snap Ring
2	NLN5.S	Nyloc Nut M5 Zinc Din 985 (Single)
3	SM1314.CH03	Flat Washer
4	SM1314.CH04	Bolt m8x35
5	SM1314.CH05	Plate
6	SM1314.CH06	Wheel
7	SM1314.CH07	Plate, Left Side
8	SM1314.CH08	Bolt m5x19
9	SM1314.CH09	Spring

Item	Part No.	Description
10	SM1314.CH10	Sprocket
11	SM1314.CH11	Pin (4x20)
12	SM1314.CH12	Chain
13	SM1314.CH13	Bolt m5x17
14	SM1314.CH14	Gear Shaft (A)
15	SM1314.CH15	Gear Shaft (B)
16	SM1314.CH16	Sprocket
17	SM1314.CH17	Drive Belt
18	SM1314.CH18	Pulley

NOTE: It is our policy to continually improve products and as such we reserve the right to alter data, specifications and component parts without prior notice.

IMPORTANT: No liability is accepted for incorrect use of product.

WARRANTY: Guarantee is 12 months from purchase date, proof of which will be required for any claim.



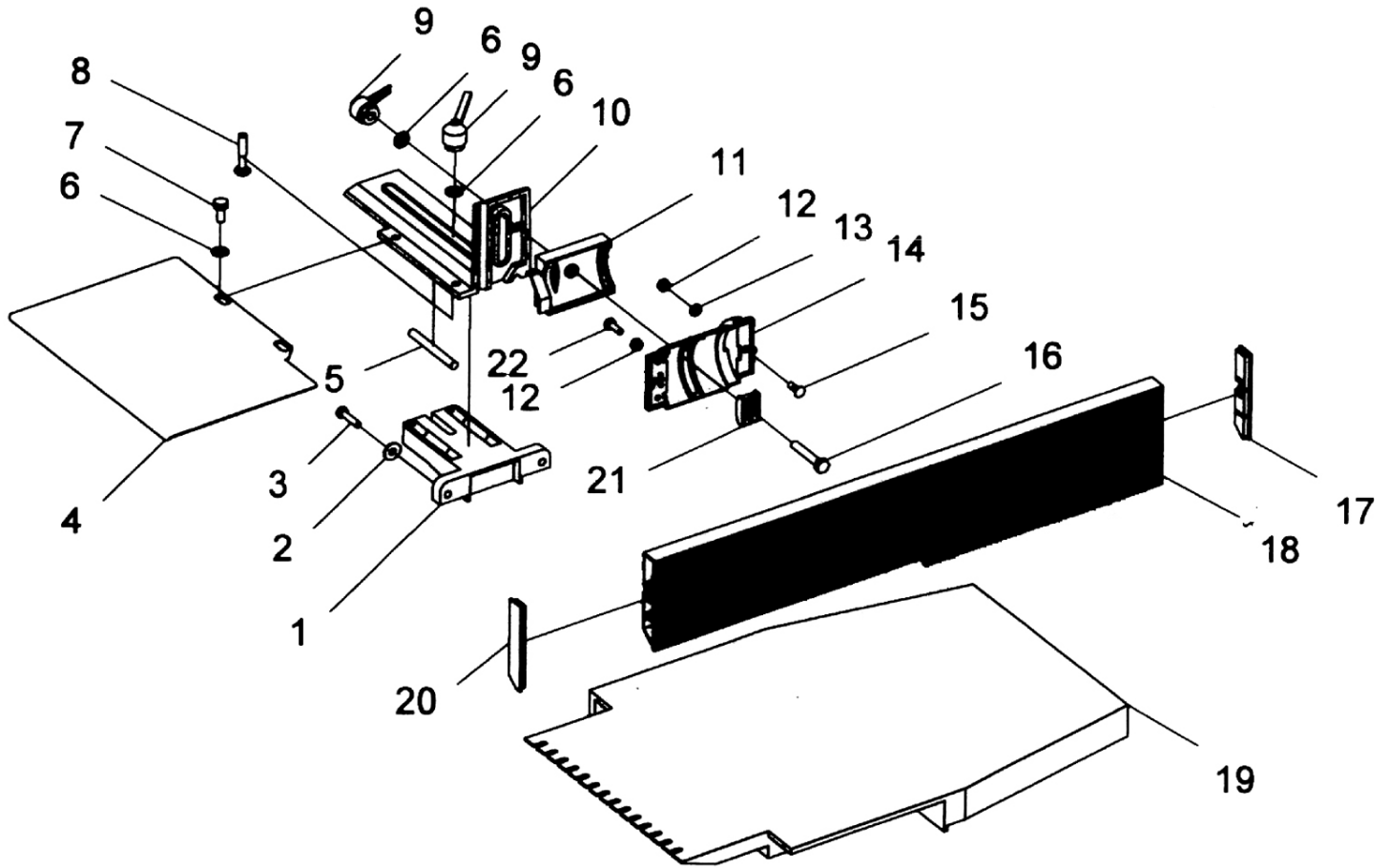
Item	Part No.	Description
	SM1314.ST	Stand Ass'y
1	SM1314.ST01	Rubber Foot
2	SM1314.ST02	Stand
3	SM1314.ST03	Pole
4	SM1314.ST04	Ring
5	SM1314.ST05	Motor Plate
6	SM1314.ST06	Motor Pulley
7	SM1314.ST07	Drive Belt,Toothed (ID-905)
8	SM1314.ST08	Screw (m6x8 Grub Screw)
9	SM1314.ST09	Key (8x7x35)
10	SM1314.ST10	Motor
11	SM1314.34	Bolt m8x25
12	SM46C/16	Switch - kjd12
13	SM1314.ST13	Switch Box
14	SM1314.ST14	Flat Washer

Item	Part No.	Description
15	SM1314.ST15	Screw (m4x12)
16	SM1314.ST16	Cap Nut
17	SM1314.W10	M8 Spring Washer S/C
18	SM1314.ST18	Flat Washer
19	CBN816.S	Coach Bolt m8x16
20	SN8.S	Steel Nut M8 Zinc Din934 (Single)
21	SM1314.ST21	Handle (m8x12)
22	SM1314.ST22	Pipe
23	SM1314.ST23	Bolt (m8x20)
24	SM1314.ST24	Plastic Nut
25	SM1314.ST25	Power Cord
26	SM1314.ST26	Lock
27	SM1314.ST27	Flat Washer
28	SM1314.ST28	Screw (m5x12)

NOTE: It is our policy to continually improve products and as such we reserve the right to alter data, specifications and component parts without prior notice.

IMPORTANT: No liability is accepted for incorrect use of product.

WARRANTY: Guarantee is 12 months from purchase date, proof of which will be required for any claim.



Item	Part No.	Description
	SM1314.F	Fence Ass'y
1	SM1314.F01	Fixed Base
2	SM1314.F02	Flat Washer
3	SS625.S	Hex Head Set Screw m6x25mm Single
4	SM1314.F04	Rear Blade Guard
5	SM1314.F05	Pin
6	SM1314.F06	Flat Washer
7	SS810.S	Hex Head Set Screw m8x10mm Single
8	SM1314.F08	Carriage Bolt m8x40
9	SM1314.F09	Adjusting Knob
10	SM1314.F10	Slide
11	SM1314.F11	Fixed Frame

Item	Part No.	Description
12	SN6.S	Steel Nut M6 Zinc Din934 (Single)
13	SM1314.F13	Flat Washer
14	SM1314.F14	Angle Bracket
15	SM1314.F15	Carriage Bolt m6x20
16	SM1314.F16	Bolt m8x45
17	SM1314.F17	Fence Lid, Right Side
18	SM1314.F18	Fence
19	SM1314.F19	Working Table
20	SM1314.F20	Fence Lid, Left Side
21	SM1314.F21	Block, Fixed Angle
22	LP352.V3-16	Bolt m6x16

NOTE: It is our policy to continually improve products and as such we reserve the right to alter data, specifications and component parts without prior notice.

IMPORTANT: No liability is accepted for incorrect use of product.

WARRANTY: Guarantee is 12 months from purchase date, proof of which will be required for any claim.