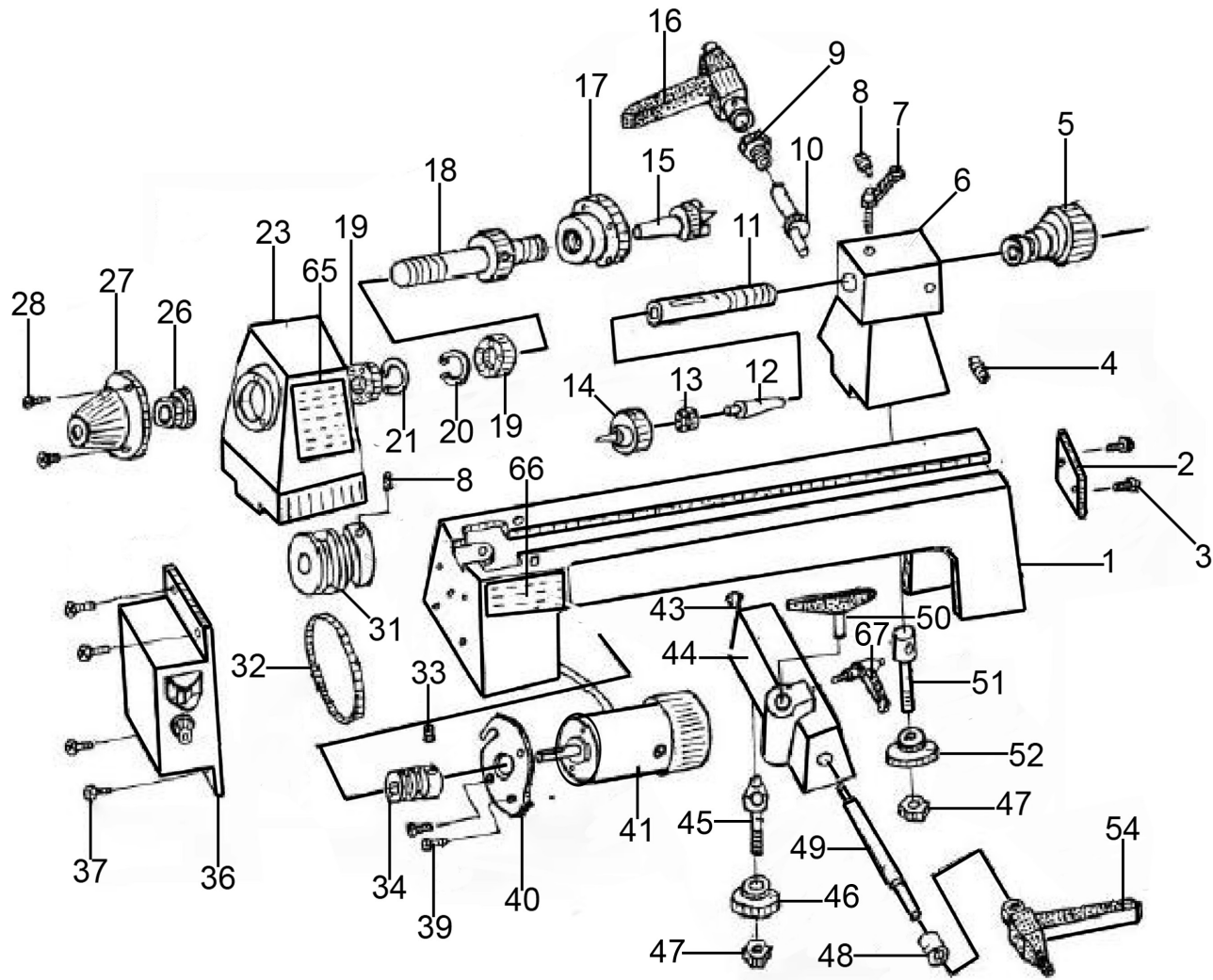




Parts Information:  
Mini Wood Lathe 330mm  
Model No: SM1307



**NOTE:** It is our policy to continually improve products and as such we reserve the right to alter data, specifications and component parts without prior notice.

There may be alternative versions of this product, please contact us should you require this information.

**IMPORTANT:** No liability is accepted for incorrect use of product. Spare parts must be fitted by a competent person

**WARRANTY:** Guarantee is 12 months from purchase date, proof of which will be required for any claim.

Sealey Group, Kempson Way, Suffolk Business Park, Bury St Edmunds, Suffolk. IP32 7AR



01284 757500



01284 703534



sales@sealey.co.uk



www.sealey.co.uk



Parts Information:  
Mini Wood Lathe 330mm  
Model No: SM1307

Item	Part No.	Description
1	SM1307.01	Bed
2	SM1307.02	Retaning Ring
3	SM1307.03	Phillips Bolt M5 x 8mm
4	SM1307.04	Bolt
5	SM1307.05	Handwheel
6	SM1307.06	Tailstock
7	SM1307.07	Lock Lever
8	SM1307.08	Bolt
9	SM1307.09	Sleeve
10	SM1307.10	Eccentric Axis
11	SM1307.11	Tailstock
12	SM1307.12	Taper Rod
13	B/6900ZZ	Bearing
14	SM1307.14	Centre Cup
15	SM1307.15	Headstock Spur Centre
16	SM1307.16	Tailstock Lock Lever
17	SM1307.17	Faceplate
18	SM1307.18	Headstock Spindle
19	B/6004-2RS	Bearing
20	SM1307.20	Circlip
21	SM1307.21	Circlip
23	SM1307.23	Headstock
26	SM1307.26	Headstock Spindle Nut
27	SM1307.27	Plate Cover
28	MSP48.S	Machine Screw Pan Head Phillips M4 x 8mm
31	SM1307.31	Drive Pulley
32	SM1307.32	Belt
33	SM1307.33	Bolt
34	SM1307.34	Motor Pulley
36	SM1307.36	Variable Speed Box

Item	Part No.	Description
37	SM1307.37	Bolt
39	MSP512.S	Machine Screw Pan Head Phillips M5 x 12mm
40	SM1307.40	Motor Plate
41	SM1307.41	Motor
43	SM1307.43	Retaining Ring
44	SM1307.44	Base, Tool Rest
45	SM1307.45	Bolt M8 x 30mm
46	SM1307.46	Plate
47	NLN8.S	Nyloc Nut M8
48	SM1307.48	Sleeve
49	SM1307.49	Eccentric Rod
50	SM1307.50	Tool Rest
51	SM1307.51	Bolt M8 x 30mm
52	SM1307.52	Plate
54	SM1307.54	Tailstock Lock Lever
65	SM1307.65	Label
66	SM1307.66	Label
67	SM1307.67	Lock Lever
--	SM1307.24	Cover (Not Shown)
--	SM1307.25	Bolt (Not Shown)
--	SM1307.29	Name Plate (Not Shown)
--	SM1307.38	Plate Label (Not Shown)
--	SM1307.42	Warning Label (Not Shown)
--	SM1307.ID	Label (Not Shown)
--	SM1307.SPEC	Specification Label (Not Shown)
--	SM1307.68	Spanner (Not Shown)
--	SM1307.69	Pin Hex Wrench 3mm (Not Shown)
--	SM1307.70	Pin Hex Wrench 5mm (Not Shown)
--	SM1307.50A	Tool Rest (Not Shown)
--	SM1307.71	Knob (c/w Handle)(Not Shown)

**NOTE:** It is our policy to continually improve products and as such we reserve the right to alter data, specifications and component parts without prior notice. There may be alternative versions of this product, please contact us should you require this information.

**IMPORTANT:** No liability is accepted for incorrect use of product. Spare parts must be fitted by a competent person

**WARRANTY:** Guarantee is 12 months from purchase date, proof of which will be required for any claim.

Sealey Group, Kempson Way, Suffolk Business Park, Bury St Edmunds, Suffolk. IP32 7AR



01284 757500



01284 703534



sales@sealey.co.uk



www.sealey.co.uk