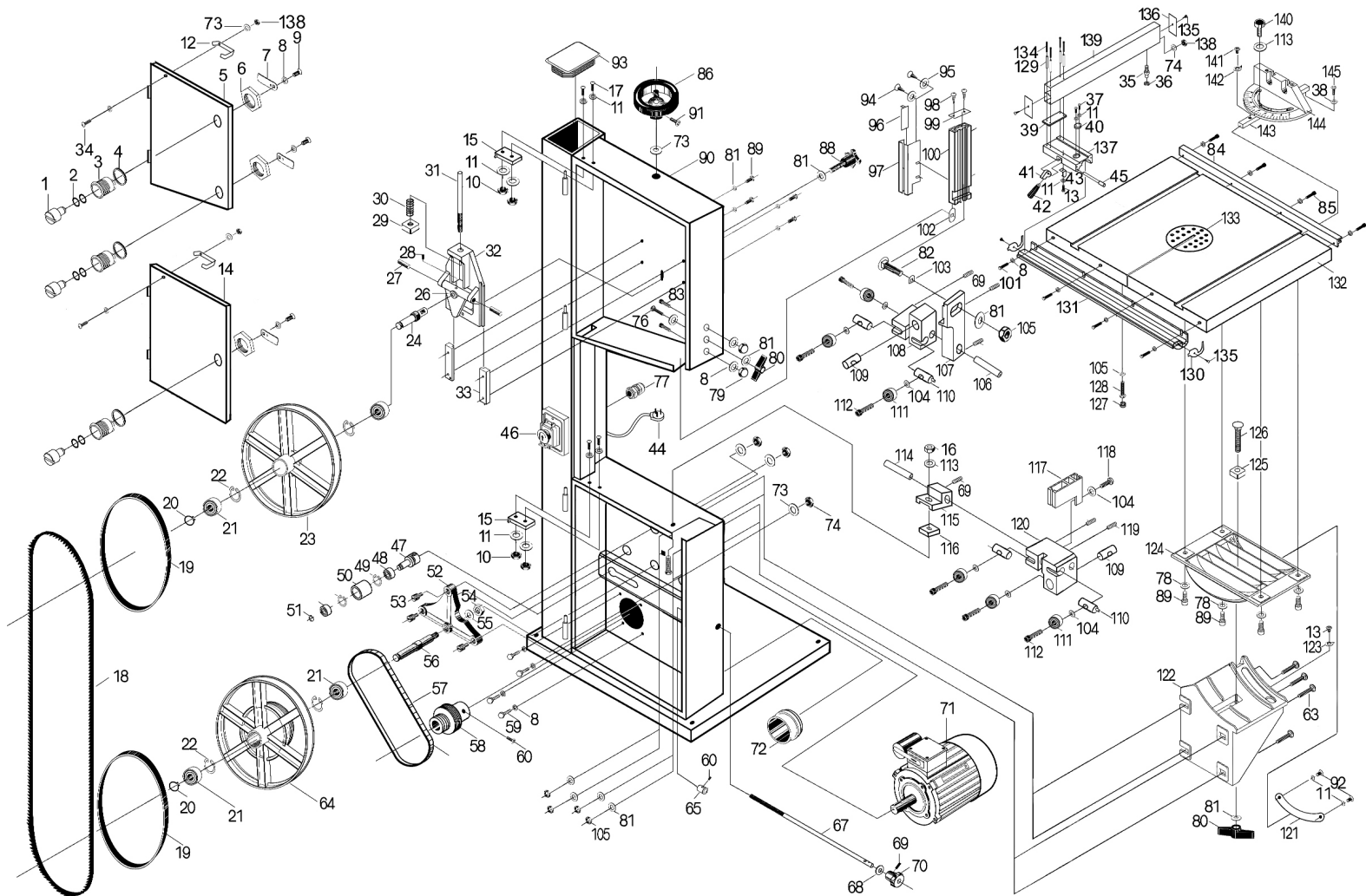




Parts Information: Professional Bandsaw 335mm Model No: SM1306



NOTE: It is our policy to continually improve products and as such we reserve the right to alter data, specifications and component parts without prior notice.

IMPORTANT: No liability is accepted for incorrect use of product.

WARRANTY: Guarantee is 12 months from purchase date, proof of which will be required for any claim.

Sealey Group, Kempson Way, Suffolk Business Park, Bury St Edmunds, Suffolk. IP32 7AR

01284 757500 | 01284 703534 | sales@sealey.co.uk | www.sealey.co.uk

Item	Part No.	Description
1	SM1305.001	DOOR AXLE
2	SM1305.002	WASHER
3	SM1305.003	DOOR AXLE BUSH
4	SM1305.004	PLASTIC WASHER
5	SM1306.005	DOOR
6	SM1305.006	DOOR CLOSE PLATE
7	SM1305.007	PLASTIC NUT
8	SM1305.008	WASHER
9	SM1305.009	BOLT M6X8
10	SN4.SB	STEEL NUT M4 BLACK (SINGLE)
11	FWM4.S	FLAT WASHER M4 SINGLE
12	SM1305.012	LEAF SPRING
13	SM1305.013	PHILIPS SCREW M4x10
14	SM1306.014	LOWER DOOR
15	SM1305.015	INNER LOCK SWITCH
16	SN6.S	STEEL NUT M6 ZINC DIN934 (SINGLE)
17	SM1305.017	DOME HEAD SCREW M4x35
18	SM1306B06	BANDSAW BLADE 2400 x 12 x 0.6mm 6tpi
--	SM1306B10	BANDSAW BLADE 2400 x 12 x 0.6mm 10tpi (NOT SHOWN)
--	SM1306B14	BANDSAW BLADE 2400 x 12 x 0.6mm 14tpi (NOT SHOWN)
--	SM1306B24	BANDSAW BLADE 2400 x 12 x 0.6mm 24tpi (NOT SHOWN)
19	SM1306.019	RUBBER BELT (ID-970)
20	SM1305.020	C-RING
21	B/6203-2RS	BEARING 6203-2RS
22	SM1305.022	C-RING
23	SM1306.023	UPPER WHEEL
24	SM1306.024	UPPER WHEEL SHAFT
25	SM1305.025	PIN 3x6
26	SM1305.026	UPPER WHEEL BASE
27	SM1305.027	UPPER WHEEL ADJUSTING SHAFT
28	SM1305.028	PIN 5x25
29	SM1305.029	NUT SQUARE BLOCK NUTS
30	SM1305.030	SPRING
31	SM1306.031	ADJUSTING BAR
32	SM1305.032	UPPER WHEEL ADJUSTING BASE
33	SM1305.033	PRESS PLATE
34	MSP510.S	MACHINE SCREW PAN HEAD PHILLIPS M5x10mm (SINGLE)
35	SM1305.035	STOP UPPER GUIDE
36	B/627ZZ	BEARING 627ZZ
37	SM1305.037	DOME HEAD SCREW M4x5
38	RW525.S	REPAIR WASHER M5x25 (SINGLE)
39	SM1305.039	PLATE
40	SM1305.040	SCREW
41	SM1305.041	LOCKING PIECE
42	SM1305.042	HANDLE
43	SM1305.043	U-CLAMP

Item	Part No.	Description
44	SM1305.044	CABLE AND PLUG
45	SM1305.045	SHAFT
46	SM46C/16	SWITCH - KJD12
47	SM1306.047	SHAFT
48	B/6001-2RS	BEARING 6001-2RS
49	SM1305.049	C-RING
50	SM1306.050	WHEEL
51	SM1305.051	C-RING
52	SM1305.052	LOWER WHEEL SUPPORT
53	SM1305.053	ADJUSTING SCREW
54	SN16.S	STEEL NUT M16 ZINC DIN934(SINGLE)
55	FWM16.S	FLAT WASHER M16 SINGLE
56	SM1306.056	LOWER WHEEL SHAFT
57	V/A29	V-BELT (ID-730) A29
58	SM1306.058	MOTOR PULLEY (FOR V-BELT)
59	SS616.S	HEX HEAD SET SCREW M6x16mm SINGLE
60	SM1305.060	SCREW M5x8
63	CBN616.S	COACH BOLT M6x16mm (SINGLE)
64	SM1306.064	LOWER WHEEL (WITH V-BELT PULLEY)
65	SM1305.065	BUSH
67	SM1306.067	BAR
68	SM1305.068	FLAT WASHER M10 SINGLE
69	FWM10.S	GRUB SCREW M6x10
70	SM1305.069	HANDLE
71	SM1305.070	MOTOR
72	SM1306.071	DUST CHUTE
--	SM1305.072	WASHER 12 (NOT SHOWN)
--	SM1305.072	DUST CHUTE (NOT SHOWN)
73	SM1305.073	WASHER 12
74	SN12.S	STEEL NUT M12 ZINC DIN934(SINGLE)
76	CBN825.S	COACH BOLT M8x25
77	SM1305.077	RETAINER M20x15
78	FWM8.S	FLAT WASHER M8 SINGLE
79	SN6.SD	STEEL NUT M6 DOMED (SINGLE)
80	SM1305.080	HEX NUT 8mm
81	RW825.S	REPAIR WASHER M8x25 (SINGLE)
82	CBN820.S	COACH BOLT M8x20
83	SM1305.083	SCREW
84	SM1305.084	SUPPORT PLATE
85	SS612.S	HEX HEAD SET SCREW M6x12mm SINGLE
86	SM1305.086	WHEEL
88	SM1305.088	HANDLE
89	SS816.S	HEX HEAD SET SCREW M8x16mm SINGLE
90	SM1306.090	SAW BODY
91	SM1305.091	PIN 4x25
92	MSP46.S	MACHINE SCREW PAN HEAD PHILLIPS M4x6mm
93	SM1305.093	INSERT
94	SM1305.094	RD HEAD S/T SCREW M4.4 X 10

