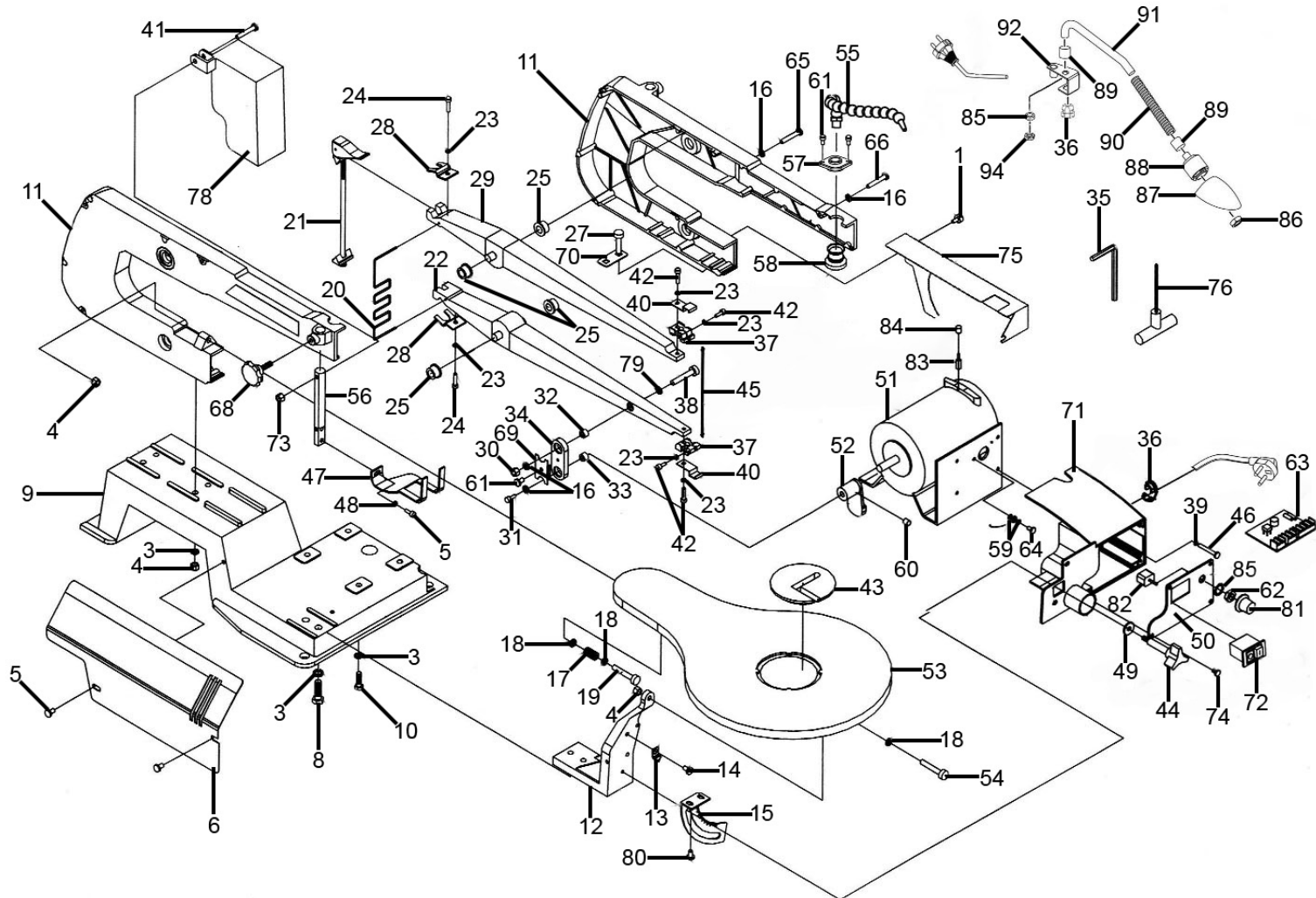




Parts Information:
Variable Speed Scroll Saw 406mm Throat 230V
Model No: SM1302



NOTE: It is our policy to continually improve products and as such we reserve the right to alter data, specifications and component parts without prior notice.

There may be alternative versions of this product, please contact us should you require this information.

IMPORTANT: No liability is accepted for incorrect use of product. Spare parts must be fitted by a competent person

WARRANTY: Guarantee is 12 months from purchase date, proof of which will be required for any claim.

Sealey Group, Kempson Way, Suffolk Business Park, Bury St Edmunds, Suffolk. IP32 7AR



01284 757500



01284 703534



sales@sealey.co.uk



www.sealey.co.uk



Parts Information:
**Variable Speed Scroll Saw 406mm Throat
230V
Model No: SM1302**

Item	Part No.	Description
1	SM1302.01	Rd Head S/T Screw M4.2 x 10mm
3	SWM6.S	Spring Washer M6
4	SN6.S	Steel Nut M6
5	SM1302.05	Pan Head Screw M5 x 10mm
6	SM1302.06	Plate Cover
8	SS825.S	Hex Head Set Screw M8 x 25mm
9	SM1302.09	Base
10	SS616.S	Hex Head Set Screw M6 x 16mm
11	SM1302.11	Arm Housing Set
12	SM1302.12	Support Table
13	SM1302.13	Scale Indicator
14	MSP612.S	Machine Screw Pan Head Phillips M6 x 12mm
15	SM1302.15	Bevel Scale
16	SWM5.S	Spring Washer M5
17	SM1302.17	Spring
18	FWM6.S	Flat Washer M6
19	SM1302.19	Hex Socket Screw M6 x 40mm
20	SM1302.20	Spring
21	SM1302.21	Blade Tension Set
22	SM1302.22	Arm, Lower
23	SWM4.SB	Spring Washer M4 Black
24	SCB410.SB	Socket cap bolt M4 x 10mm Black
25	SM1302.25	Bearing Flange
27	CBN625.S	Coach Bolt M6 x 25mm
28	SM1302.28	Retainer
29	SM1302.29	Arm, Upper
30	SN5.S	Steel Nut M5
31	SCB520.SB	Socket Cap Bolt M5 x 20mm Black
32	B/625ZZ	Bearing
33	SM1302.33	Spacer Bearing
34	SM1302.34	Link
35	SM1302.35	Hex Key
36	SM1302.36	Strain Relief
37	SM1302.37	Blade Adaptor
38	SCB525.SB	Socket Cap Bolt M5 x 25mm Black
39	FWM8.S	Flat Washer M8

Item	Part No.	Description
40	SM1302.40	Plate Chip
41	MSP58.S	Machine Screw Pan Head Phillips M5 x 8mm
42	SCB420.SB	Socket Cap Bolt M4 x 20mm Black
43	SM1302.V2-43	Table Insert
44	SM1302.44	Knob, Table Lock
45	SM1302.45	Blade
46	MSP416.S	Machine Screw Pan Head Phillips M4 x 16mm
47	SM1302.47	Drop Foot
48	SM1302.48	Tooth Washer
49	SM1302.49	Washer
50	SM1302.50	Fixing Plate, Switch
51	SM1302.51	Motor
52	SM1302.52	Eccentric
53	SM1302.V2-53	Table
54	SCB635.SB	Socket Cap Bolt M6 x 35mm Black
55	SM1302.55	Plastic Tubing
56	SM1302.56	Adjustment Level
57	SM1302.57	Bellows Lock
58	SM1302.58	Bellows
59	TS10SEW.121	M4 Ext Tooth Washer
60	GSM88.S	Grub Screw M8 x 8mm
61	SM1302.61	Rd Head S/T Screw M4 x 8mm
62	SM1302.62	M10 Thin Hex Nut BZP
63	SM1302.63N	PCB
64	MSP46.S	Machine Screw Pan Head Phillips M4 x 6mm
65	MSP535.S	Machine Screw Pan Head Phillips M5 x 35mm
66	MSP530.S	Machine Screw Pan Head Phillips M5 x 30mm
68	SM1302.68	Knob
69	SM1302.69	Bearing Retainer
70	SM1302.70	Set Plate
71	SM1302.71	Switch Box
72	SM1302.72	Switch, Power (c/w Cover)
73	NLN5.S	Nyloc Nut M5
74	S0685.V2-26	Rd Head S/T Screw M4 x 13mm
75	SM1302.75	Cover, Back Plate

NOTE: It is our policy to continually improve products and as such we reserve the right to alter data, specifications and component parts without prior notice. There may be alternative versions of this product, please contact us should you require this information.

IMPORTANT: No liability is accepted for incorrect use of product. Spare parts must be fitted by a competent person

WARRANTY: Guarantee is 12 months from purchase date, proof of which will be required for any claim.

Sealey Group, Kempson Way, Suffolk Business Park, Bury St Edmunds, Suffolk. IP32 7AR



01284 757500



01284 703534



sales@sealey.co.uk



www.sealey.co.uk



Parts Information:
**Variable Speed Scroll Saw 406mm Throat
230V
Model No: SM1302**

Item	Part No.	Description
76	SM1302.76	Hex Key, T-Handle
78	SM1302.V2-78	Blade Guard
79	FWM5.S	Flat Washer M5
80	MSP510.S	Machine Screw Pan Head Phillips M5 x 10mm
81	SM1302.81	Knob (c/w Screw)
82	SM1302.82	Relay
83	SM1302.83	Carbon Brush
84	SM1302.84	Carbon Brush Cover
85	SWM10.S	Spring Washer M10

Item	Part No.	Description
86	SM1302.86	Ring
87	SM1302.87	Lamp Cover
88	SM1302.88	Socket
89	SM1302.89	Tube
90	SM1302.90	Nylon Tube
91	SM1302.91	Pipe
92	SM1302.92	Connection Assembly
94	SN10.S	Steel Nut M10
--	SM1302.95	Rubber Foot (Not Shown)

NOTE: It is our policy to continually improve products and as such we reserve the right to alter data, specifications and component parts without prior notice. There may be alternative versions of this product, please contact us should you require this information.

IMPORTANT: No liability is accepted for incorrect use of product. Spare parts must be fitted by a competent person

WARRANTY: Guarantee is 12 months from purchase date, proof of which will be required for any claim.

Sealey Group, Kempson Way, Suffolk Business Park, Bury St Edmunds, Suffolk. IP32 7AR



01284 757500



01284 703534



sales@sealey.co.uk



www.sealey.co.uk