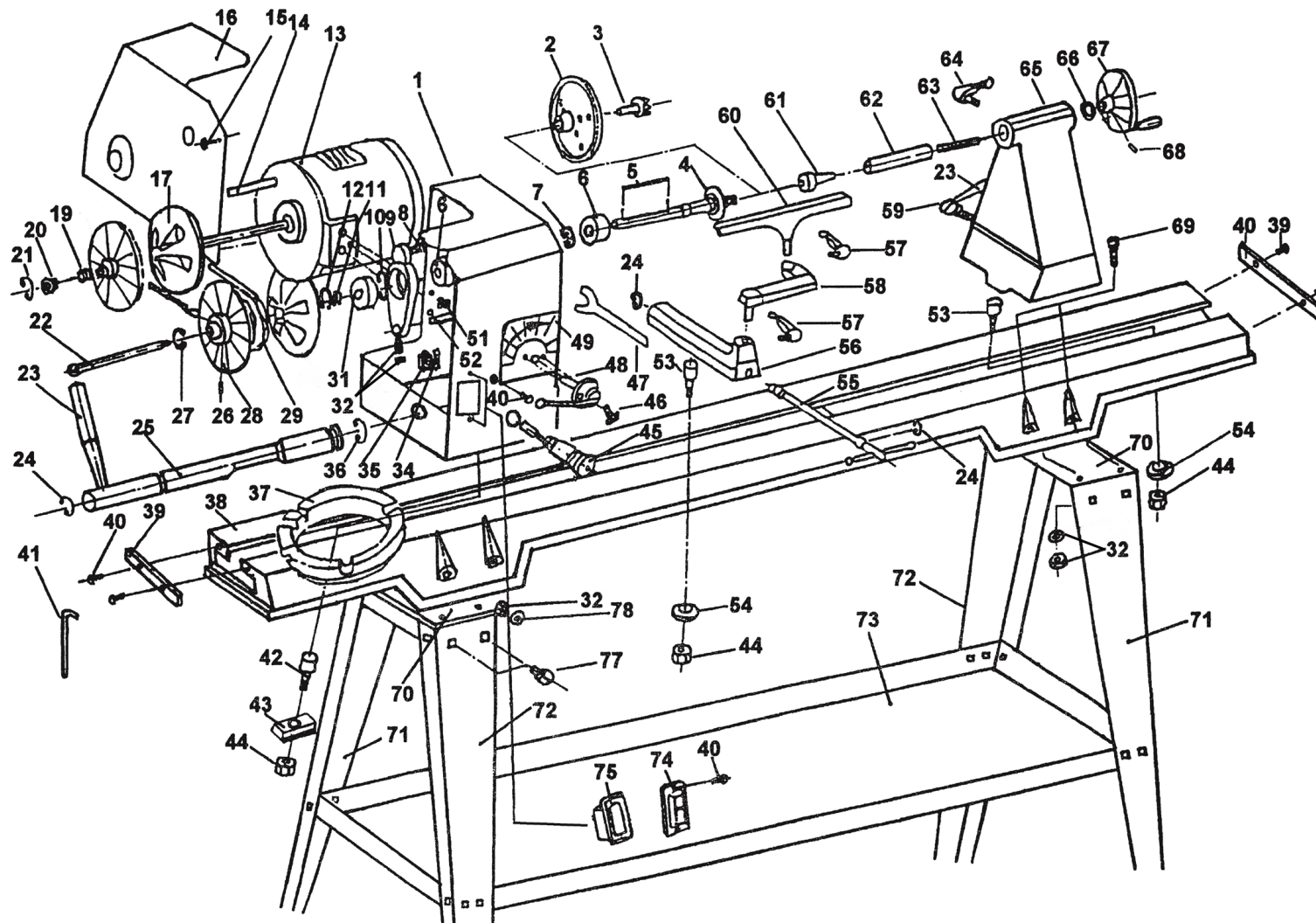




Parts Information:
Wood Lathe 10-Speed 1100mm Centres
Model No: SM1100



NOTE: It is our policy to continually improve products and as such we reserve the right to alter data, specifications and component parts without prior notice.

There may be alternative versions of this product, please contact us should you require this information.

IMPORTANT: No liability is accepted for incorrect use of product. Spare parts must be fitted by a competent person

WARRANTY: Guarantee is 12 months from purchase date, proof of which will be required for any claim.

Sealey Group, Kempson Way, Suffolk Business Park, Bury St Edmunds, Suffolk. IP32 7AR



01284 757500



01284 703534



sales@sealey.co.uk



www.sealey.co.uk



Parts Information:
Wood Lathe 10-Speed 1100mm Centres
Model No: SM1100

Item	Part No.	Description
1	SM1100/01	Headstock
2	SM900/M03	Faceplate
3	SM1307.15	Headstock, Spur Centre
4	SM900/M04	Spindle
5	SM900/M05	Key
6	B/6205-2RS	Bearing
7	SM1100/07	Circlip
8	SM1100/08	Spring
9	SM900/M09	Bracket, Shifting Lever
10	2750LE.P01	Circlip
11	SM1100/11	C-Ring
12	SM1100/12	Circlip
13	SM1100/13	Motor
14	SM1100/14	Key
15	SM1100/15	Screw
16	SM1100/16	Motor Cover
17	SM900/M29-30	Motor Pulley Assembly
19	SM1100/19	Spring
20	SM1100/20	Sleeve
21	SM900/M41	Circlip
22	SM1100/22	Rod, Push-Out
23	SM1100/23	Knob
24	SM1100/24	C-Ring
25	SM1100/25	Eccentric Rod
26	GSM610.S	Grub Screw M6 x 10mm
27	SM1100/27	Circlip
28	SM900/M12-14	Spindle Pulley Assembly
29	V/M24	V-Belt
31	B/6007-2RS	Bearing
32	SN8.S	Steel Nut M8
34	SM1100/34	Clamp
35	SN4.S	Steel Nut M4
36	SM1100/36	C-Ring
37	SM1100/37	Turning Base
38	SM1100/38	Bed
39	SM1100/39	Baffle
40	SM1100/40	Screw
41	SM1100/41	Hex Wrench Set

Item	Part No.	Description
42	SM1100/42	Ring Bolt M18 x 80mm
43	SM1100/43	Clamp
44	SN18.S	Steel Nut M18
45	SM1100/45	Angular Setting Assembly
46	SM1100/46	Screw
47	SM1100/47	Spindle Wrench
48	SM900/M21	Gear Assembly
49	SM1100/49	Rating Label
51	SM1100/51	Hex Screw
52	SM1100/52	Back
53	SM900/M42	Bolt M18 x 51mm
54	SM900/M43	Clamp
55	SM900/M40	Eccentric Rod
56	SM900/M39	Body, Tool Rest
57	SM900/M37	Handle Assembly
58	SM900/M38	Extension, Tool Rest
59	SM1100/59	Lock Handle, Tail Stock
60	SM1100/60	Tool Rest
61	SM1100/61	Lock, Tailstock
62	SM1100/62	Tail Spindle
63	SM900/M47	Screw, Tail Stock
64	SM1100/64	Handle Assembly
65	SM1100/65	Tail Stock
66	SM1100/66	Washer
67	SM900/M49	Handle Wheel
68	GSM812.S	Grub Screw M8 X 12
69	SCB840.SB	Socket Cap Bolt M8 x 40mm Black
70	SM1100/70	Upper Cover, Stand
71	SM1100/71	Stand Leg 1
72	SM1100/72	Stand Leg 2
73	SM1100/73	Tool Table
74	SM46C/16	Switch, Power
75	SM900/M68	Switch Housing
77	SM900/M60	Cup Head Square Neck Bolt M8 x 13mm
78	SM900/M61	Washer, Stand
--	SM1100/50	Instruction Manual (Not Shown)
--	SM1100/76	Power Cord (Not Shown)

NOTE: It is our policy to continually improve products and as such we reserve the right to alter data, specifications and component parts without prior notice. There may be alternative versions of this product, please contact us should you require this information.

IMPORTANT: No liability is accepted for incorrect use of product. Spare parts must be fitted by a competent person

WARRANTY: Guarantee is 12 months from purchase date, proof of which will be required for any claim.

Sealey Group, Kempson Way, Suffolk Business Park, Bury St Edmunds, Suffolk. IP32 7AR



01284 757500



01284 703534



sales@sealey.co.uk



www.sealey.co.uk