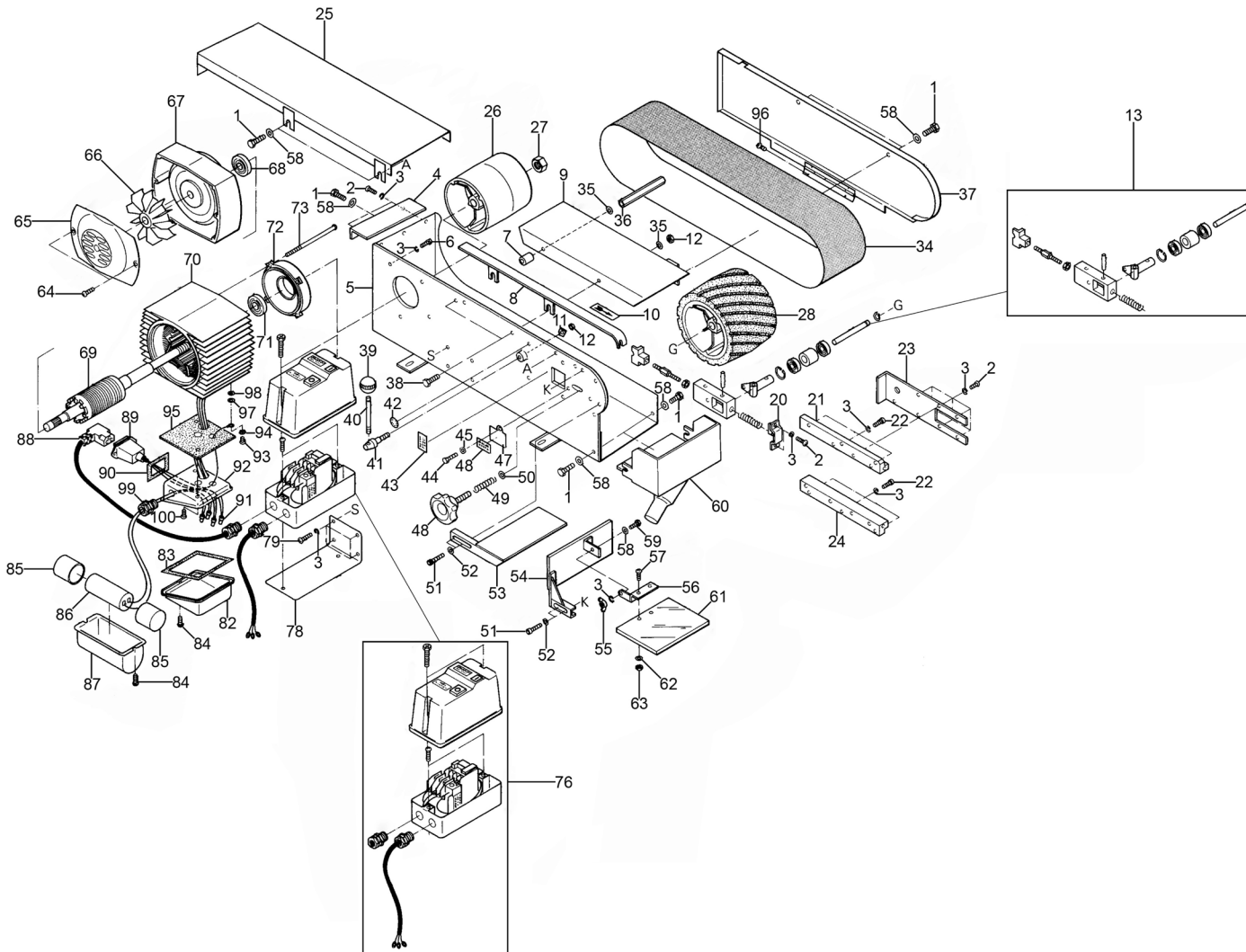




Parts Information:
Power Belt Sander 100 x 1220mm 750W/230V
Model No: SM100



NOTE: It is our policy to continually improve products and as such we reserve the right to alter data, specifications and component parts without prior notice.

There may be alternative versions of this product, please contact us should you require this information.

IMPORTANT: No liability is accepted for incorrect use of product. Spare parts must be fitted by a competent person

WARRANTY: Guarantee is 12 months from purchase date, proof of which will be required for any claim.

Sealey Group, Kempson Way, Suffolk Business Park, Bury St Edmunds, Suffolk. IP32 7AR



01284 757500



01284 703534



sales@sealey.co.uk



www.sealey.co.uk



Parts Information:
Power Belt Sander 100 x 1220mm
750W/230V
Model No: SM100

Item	Part No.	Description
1	SM100/001	Bolt, Hex
2	SM100/002	Screw
3	SWM6.S	Spring Washer M6
4	SM100/004	Cover, Dust Proof
5	SM100/005	Base
6	SM100/006	Bolt, Hex Head
7	SM100/007	Bush
8	SM100/008	Plate, Dust Proof
9	SM100/009	Support, Belt
10	SM100/010	Label, Direction
11	SM100/011	Cam
12	NLN8.S	Nyloc Nut M8
13	SM100/SBA	Sliding Block Assembly
20	SM100/020	Plate, Spring Stop
21	SM100/021	Support, Upper
22	SCB615.SB	Socket Cap Bolt M6 x 15mm Black
23	SM100/023	Plate, Block Stop
24	SM100/024	Support, Lower
25	SM100/025	Cover, Moveable
26	SM100/026	Roller, Aluminium
27	SN18.S	Steel Nut M18
28	SM100/028	Roller, Rubber
34	SM100/B080G	Sanding Belt 80 Grit
35	RW825.S	Repair Washer M8 x 25mm
36	SM100/036	Shaft, Hex
37	SM100/037	Cover, Belt Protection
38	SM100/038	Bolt, Hex
39	SM100/039	Knob, Handle
40	SM100/040	Shaft, Knob
41	SM100/041	Shaft, Cam
42	SM100/042	Plate, Loosen-Tighten

Item	Part No.	Description
43	SM100/043	Plate, Adjusting
44	SM100/044	Screw, Cover
45	SM100/045	Washer, Wave
46	SM100/046	Plate, Cover
47	SM100/047	Cover
48	SM100/048	Knob
49	SM100/049	Spring
50	FWM8.S	Washer
51	SM100/051	Screw, Cap
52	SM100/052	Washer
53	SM100/053	Table, Working
54	SM100/054	Plate, Sanding Stop
55	SM100/055	Wingnut, Brass
56	SM100/056	Plate, Support
57	SM100/057	Screw
58	SM100/058	Washer
59	SM100/059	Bolt
60	SM100/060	Collector
61	SM100/061	Shield, Eye
62	SM100/062	Repair Washer M5 x 12mm
63	SM100/063	Nut, Hex
64	MSP512.S	Machine Screw Pan Head Phillips M5 x 12mm
65	SM100/065	Cover, Motor Fan
66	SM100/066	Fan
67	SM100/067	Housing, Fan
68	B/6205ZZ	Bearing
69	SM100/069	Rotor
70	SM100/070	Housing, Stator
71	B/6203ZZ	Bearing
72	SM100/072	Cover, Motor (Front)
73	SM100/073	Screw

NOTE: It is our policy to continually improve products and as such we reserve the right to alter data, specifications and component parts without prior notice. There may be alternative versions of this product, please contact us should you require this information.

IMPORTANT: No liability is accepted for incorrect use of product. Spare parts must be fitted by a competent person

WARRANTY: Guarantee is 12 months from purchase date, proof of which will be required for any claim.

Sealey Group, Kempson Way, Suffolk Business Park, Bury St Edmunds, Suffolk. IP32 7AR



01284 757500



01284 703534



sales@sealey.co.uk



www.sealey.co.uk



Parts Information:
Power Belt Sander 100 x 1220mm
750W/230V
Model No: SM100

Item	Part No.	Description
76	SM100/076	Switch Box Assembly
78	SM100/078	Plate, Supporting
79	MSP612.S	Machine Screw Pan Head Phillips M6 x 12mm
82	SM100/082	Cover, Wiring Box
83	SM100/083	Gasket, Terminal Box
84	SM100/084	Screw
85	SM100/085	Sleeve, Capacitor
86	SM100/086	Capacitor
87	SM100/087	Cover, Capacitor
88	SM100/088	Plug
89	SM100/089	Socket
90	SM100/090	Gasket, Socket
91	SM100/091	Connector, Wire

Item	Part No.	Description
92	SM100/092	Box, Terminal
93	SM100/093	Screw
94	SM100/094	Washer
95	SM100/095	Packing
96	SM100/096	Screw
97	SM100/097	Washer, Copper
98	SM100/098	Washer, External Tooth
99	SM100/099	Grip, Cable.
100	SM100/100	Screw
--	SM100/B100G	Sanding Belt 100Grit (Not Shown)
--	SM100/ST	Floor Stand (Not Shown)
--	SM100/ST-FK	Fixing Kit, Stand (Not Shown)

NOTE: It is our policy to continually improve products and as such we reserve the right to alter data, specifications and component parts without prior notice. There may be alternative versions of this product, please contact us should you require this information.

IMPORTANT: No liability is accepted for incorrect use of product. Spare parts must be fitted by a competent person

WARRANTY: Guarantee is 12 months from purchase date, proof of which will be required for any claim.

Sealey Group, Kempson Way, Suffolk Business Park, Bury St Edmunds, Suffolk. IP32 7AR



01284 757500



01284 703534



sales@sealey.co.uk



www.sealey.co.uk