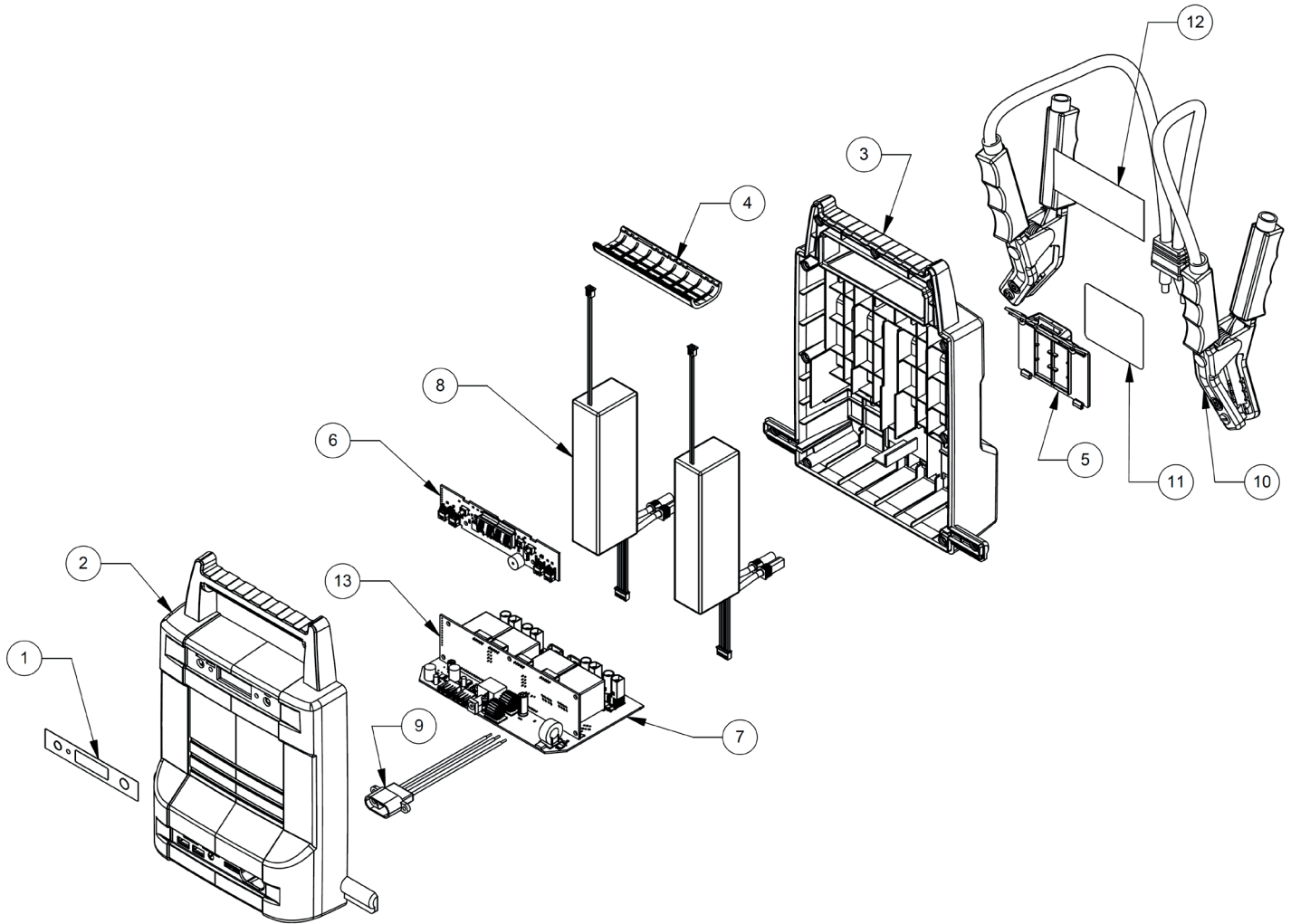




Parts Information:  
**Jump Starter Power Pack Lithium(LiFePO4)**  
**800Amp**  
**Model No: SL2S**



Item	Part No.	Description
1	SL2S.L1	LABEL, FACEPLATE
2	SL2S.04	CASE, FRONT (GREY)
3	SL2S.05	CASE, REAR (GREY)
4	SL2S.07	CASE, HANDLE COVER (GREY)
5	SL2S.06	CASE, DOOR (GREY)
6	SL2S.02	ASS'Y PCB DISPLAY BOARD
7	SL2S.01	ASS'Y PCB POWER BOARD
8	SL2S.B	BATTERY LITHIUM-ION 12V 3Ah EC5
9	SL2S.03	ASS'Y INPUT CORD PLUG

Item	Part No.	Description
10	SL2S.09	CABLE, CLAMP ASSY (POSITIVE & NEGATIVE)
11	SL2S.L2	LABEL, WARNING
12	SL2S.I	LABEL, INSTRUCTION
--	SL2S.C	CHARGER PLUG 12V ( <b>not shown</b> )
--	SL2S.08	CABLE 12V W/PLUG (F) 5.5mm ( <b>not shown</b> )
--	SL2S.10	CABLE, 3PIN SAE/12V CIG ADAPTOR/5Amp FUSE ( <b>not shown</b> )
--	SL2S.11	CABLE, 3PIN SAE W/PLUG ( <b>not shown</b> )
--	SL2S.L3	LABEL, PRODUCT ( <b>not shown</b> )

**NOTE:** It is our policy to continually improve products and as such we reserve the right to alter data, specifications and component parts without prior notice.

**IMPORTANT:** No liability is accepted for incorrect use of product.

**WARRANTY:** Guarantee is 12 months from purchase date, proof of which will be required for any claim.

**Sealey Group**, Kempson Way, Suffolk Business Park, Bury St Edmunds, Suffolk. IP32 7AR



01284 757500



01284 703534



sales@sealey.co.uk



www.sealey.co.uk