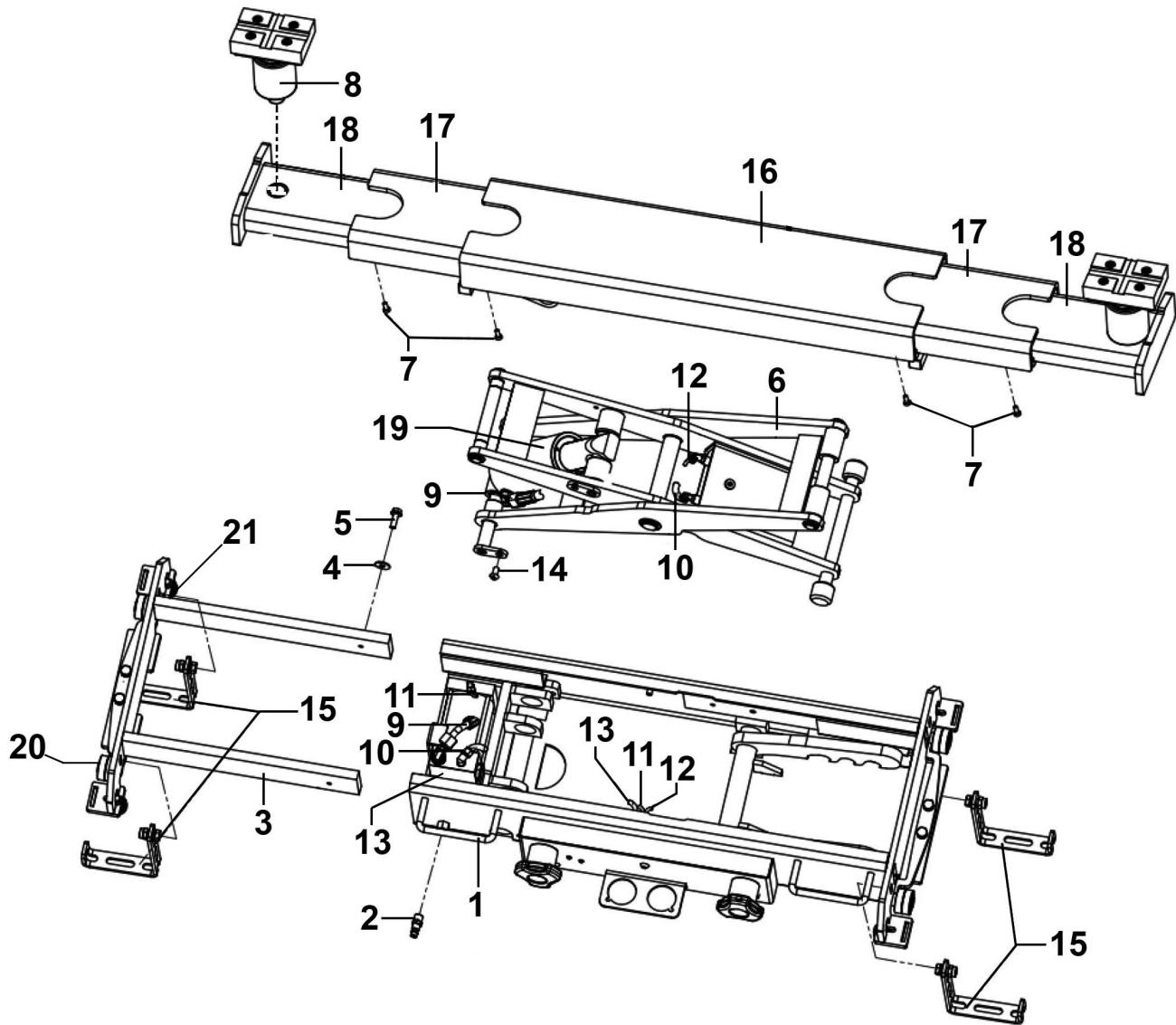


Parts Information:
**Viking Jacking Beam 4 Tonne with 1.4m
 Extending Arms**
Model No: SJBEX4000S



Item	Part No.	Description	Qty
1	FUSN-ZL1003	Inner Base Assembly	1
2	FUSN-L04033	Air Inlet Connector (Euro)	1
3	FUSN-ZL2003	Flat-End Mounting (for Roller)	2
4	FWM8.S	Flat Washer M8 Zinc	2
5	SFS820.S	Hex Head Flange Bolt M8 X 20 Zinc	2
6	FUSN-ZL3003	Scissor Arm Assembly	1

Item	Part No.	Description	Qty
7	SCB812.S	Socket Cap Bolt M8 x 12mm	4
8	FUSN-ZL6003	Square Saddle Assembly	2
9	FUSN-L20165	Oil Pipe Assembly	1
10	FUSN-L06118	Nylon Hose	1
11	FUSN-L20169A	PU Air Hose (Ø4 x Ø2.5 x 630mm)	1
12	FUSN-L20169B	PU Air Hose (Ø4 x Ø2.5 x 450mm)	1

NOTE: It is our policy to continually improve products and as such we reserve the right to alter data, specifications and component parts without prior notice. There may be alternative versions of this product, please contact us should you require this information.

IMPORTANT: No liability is accepted for incorrect use of product. Spare parts must be fitted by a competent person

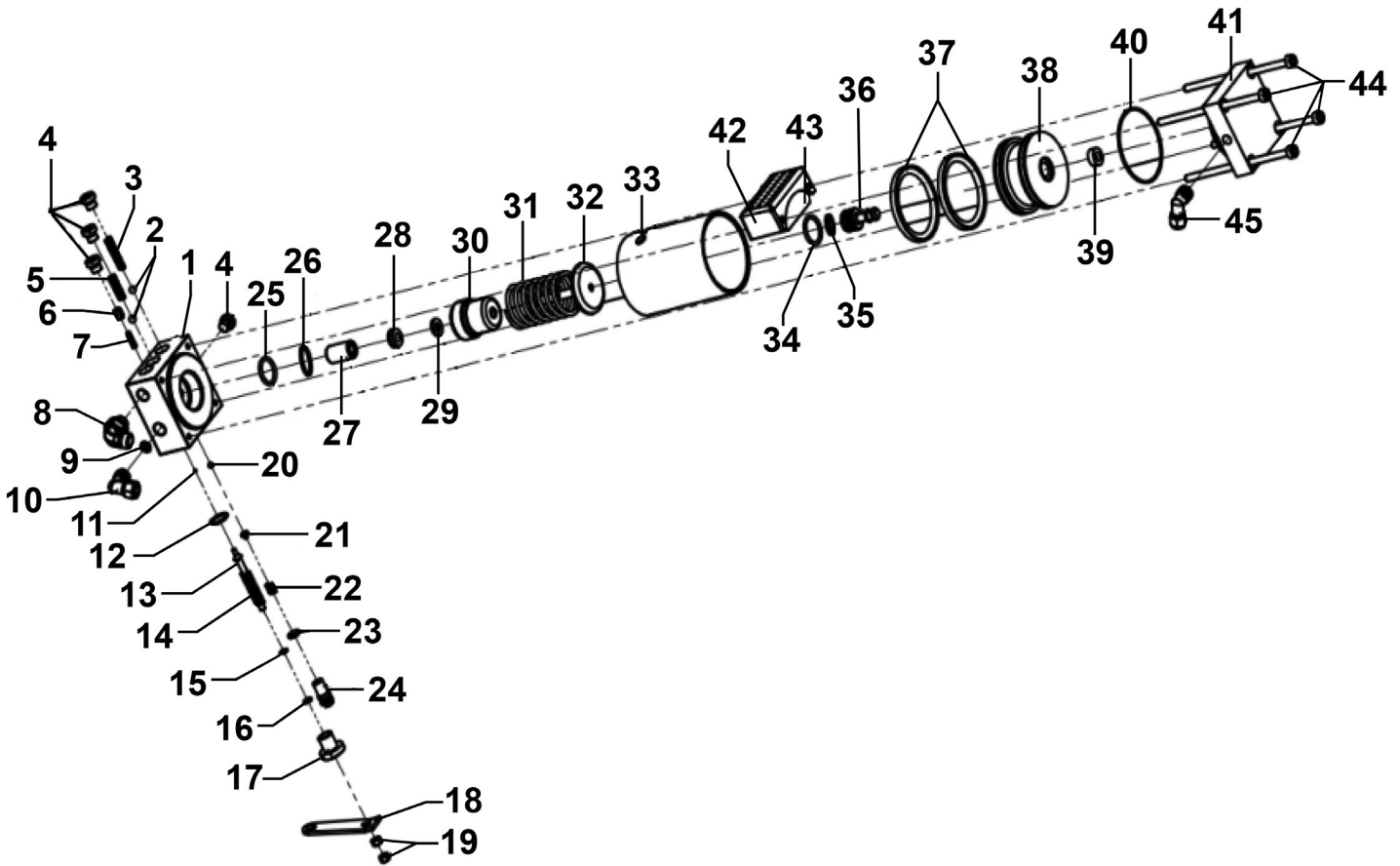
WARRANTY: Guarantee is 12 months from purchase date, proof of which will be required for any claim.



Parts Information:
**Viking Jacking Beam 4 Tonne with 1.4m
 Extending Arms**
Model No: SJBEX4000S

Item	Part No.	Description	Qty
13	FUSN-L20026M	PU Air Hose (Ø6 x Ø4 x 840mm)	1
14	BHSS816.S	Button Head Socket Screw M8 X 16 Zinc	1
15	FUSN-ZL6004	Protective Plate Assembly	4
16	FUSN-L01B0151	Top Cover Assembly	1
17	FUSN-L01B0152B	Inner Support Beam Assembly	2

Item	Part No.	Description	Qty
18	FUSN-L01B0153B	Outer Support Beam Assembly	2
19	FUSN-ZL0003	Cylinder Assembly	1
20	B/6203-2RS	Bearing 6203-2RS	8
21	B/6001ZZ	Bearing 6001 ZZ	8



Item	Part No.	Description	Qty
1	FUSN-L01B0043	Check Valve Assembly	1
2	SB-6.4	Steel ball 6.4mm	2
3	FUSN-L05020015	Spring	1
4	FUSN-L03010004	Oil Plug Screw (B)	4
5	FUSN-L05020024	Spring	1
6	FUSN-L0180200	Pressure Relief Base	1
7	FUSN-L05020108	Pressure Relief Spring (Secondary)	1
8	FUSN-L09004	Elbow	1
9	FUSN-L20012	Filter	1
10	FUSN-L04036	Elbow	1
11	SB-2.5	Steel ball 2.5mm	1
12	FUSN-L02010011	O-Ring (Ø15.6 x 1.78mm)	1

Item	Part No.	Description	Qty
13	FUSN-L01B0044	Pressure Relief Pin	1
14	FUSN-L05020109	Pressure Relief Spring	1
15	FUSN-L03030025	Spacer	1
16	FUSN-L02010093	O-Ring	1
17	FUSN-L01B0045	Pressure Relief Base (for Pin)	1
18	FUSN-L07415B	Pressure Relief Paddle	1
19	SN5.S	Steel Nut M5 Zinc	2
20	SB-5.0	Steel Ball 5.0mm	1
21	FUSN-L0180012	Steel Ball Holder	1
22	FUSN-L05020084	Pressure Regulating Spring	1
23	FUSN-L02010050	O-Ring Ø8.74 x 1.78	1
24	FUSN-L011Q012	Pressure Regulating Screw	1

NOTE: It is our policy to continually improve products and as such we reserve the right to alter data, specifications and component parts without prior notice. There may be alternative versions of this product, please contact us should you require this information.

IMPORTANT: No liability is accepted for incorrect use of product. Spare parts must be fitted by a competent person

WARRANTY: Guarantee is 12 months from purchase date, proof of which will be required for any claim.

Sealey Group, Kempson Way, Suffolk Business Park, Bury St Edmunds, Suffolk. IP32 7AR



01284 757500



01284 703534



sales@sealey.co.uk



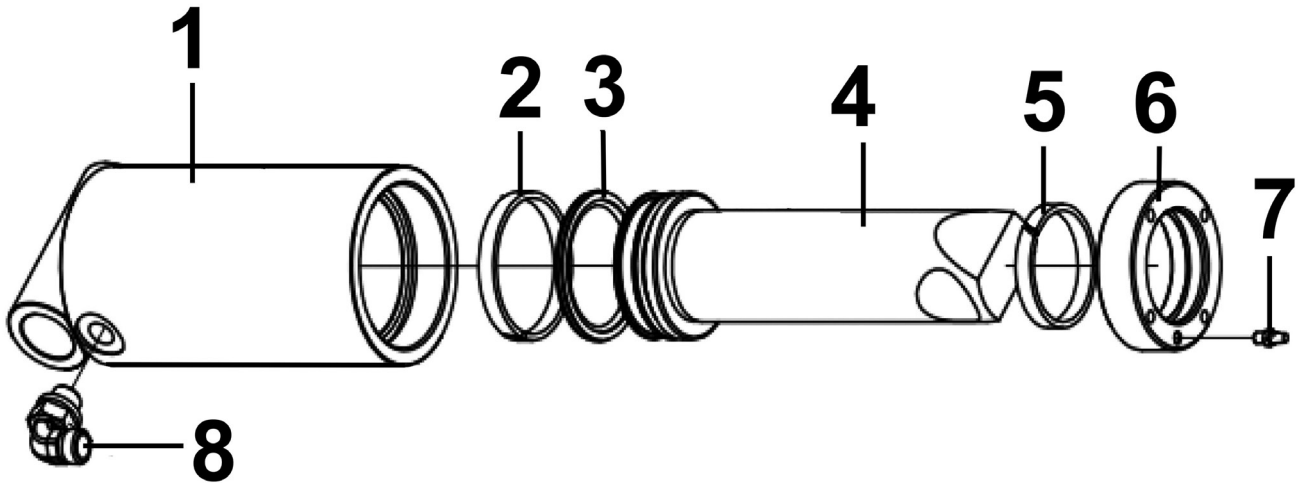
www.sealey.co.uk



Parts Information:
**Viking Jacking Beam 4 Tonne with 1.4m
 Extending Arms**
Model No: SJBEX4000S

Item	Part No.	Description	Qty
25	FUSN-L02010018	O-Ring Ø23.47 x 2.62	1
26	FUSN-L02020014	Locking Ring (28 x 30.4 x 2.2)	1
27	FUSN-L011M005	Guide Sleeve	1
28	FUSN-L02030002	Seal B3	1
29	FUSN-L02020016	Locking Ring	1
30	FUSN-L011M008	Oil Pump Body	1
31	FUSN-L05020008	Plunger Rod Spring	1
32	FUSN-Z17002	Plunger Rod	1
33	FUSN-L0190206	Air Cylinder Sleeve	1
34	FUSN-L02010020	O-Ring Ø25.07 x 2.62	1
35	FUSN-L02030003	Seal Z8	1

Item	Part No.	Description	Qty
36	FUSN-L011M006	Piston (Small)	1
37	FUSN-L02100006	OA Seal	2
38	FUSN-L011M013	Air Cylinder Piston	1
39	FUSN-L02100001	Rubber Stop	1
40	FUSN-L02010032	O-Ring Ø66.4 x 1.78	1
41	FUSN-L0190125	Air Inlet Valve Seat	1
42	FUSN-L06117	Exhaust Hood Cover	1
43	FUSN-L20083	Foam Silencer	1
44	FUSN-L03010019	Socket Cap Bolt M6 x 125mm	4
45	FUSN-L04063	Quick Elbow	1



Item	Part No.	Description	Qty
1	FUSN-L01B0143	Outer Sleeve Assembly	1
2	FUSN-L02040138	Guide Ring	1
3	FUSN-L02060041	Piston Sealing Ring	1
4	FUSN-L01B0147	Piston Rod	1

Item	Part No.	Description	Qty
5	FUSN-L02040037	Guide Ring	1
6	FUSN-L01B0146	Outer Sleeve Cover	1
7	FUSN-L20163	Silencer	1
8	FUSN-L09004	Elbow	1

NOTE: It is our policy to continually improve products and as such we reserve the right to alter data, specifications and component parts without prior notice. There may be alternative versions of this product, please contact us should you require this information.

IMPORTANT: No liability is accepted for incorrect use of product. Spare parts must be fitted by a competent person

WARRANTY: Guarantee is 12 months from purchase date, proof of which will be required for any claim.

Sealey Group, Kempson Way, Suffolk Business Park, Bury St Edmunds, Suffolk. IP32 7AR



01284 757500



01284 703534

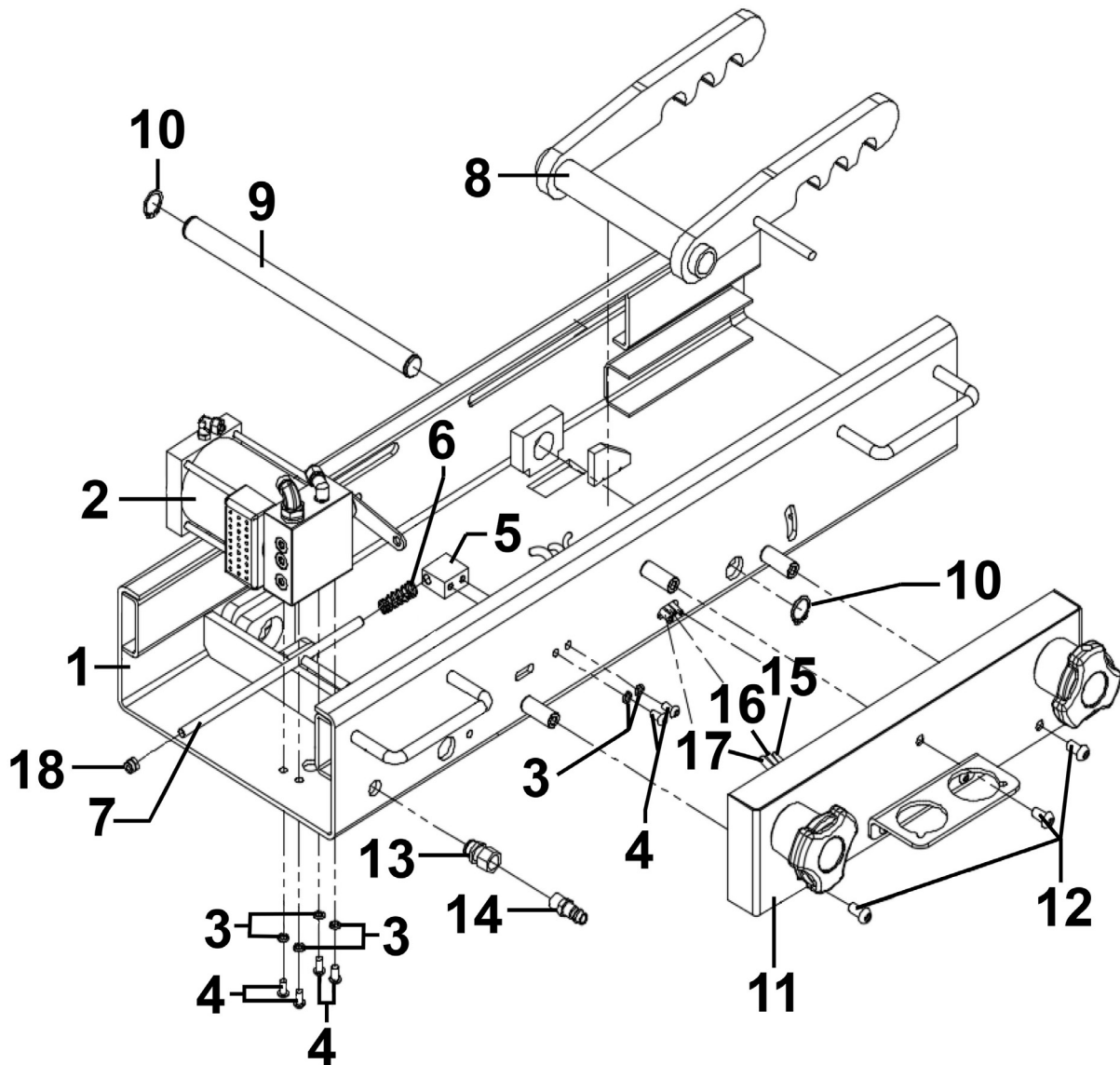


sales@sealey.co.uk



www.sealey.co.uk

Parts Information:
**Viking Jacking Beam 4 Tonne with 1.4m
 Extending Arms**
Model No: SJBEX4000S



Item	Part No.	Description	Qty
1	FUSN-L01B0117	Outer Base Assembly	1
2	FUSN-Z10016	Pump Assembly	1
3	SWM6.S	Spring Washer M6 Zinc	6
4	BHSS612.S	Button Head Socket Screw M6 X 12 Zinc	6
5	FUSN-L01B0115	Pressure Relief Rod Base	1
6	FUSN-L05020077	Spring	1
7	FUSN-L01B0114B	Pressure Relief Rod Assembly	1
8	FUSN-L01B0126	Safety Hook Assembly	1
9	FUSN-L01B0071	Safety Hook Shaft	1

Item	Part No.	Description	Qty
10	FUSN-L05100010	Shaft Clamp Ring	2
11	FUSN-ZL5002	Switch Assembly	1
12	BHSS815.S	Button Head Socket Screw M8 X 15 Zinc	3
13	FUSN-L04048	Quick Union	1
14	FUSN-L04033	Air Inlet Connector (Euro)	1
15	FUSN-L20169A	PU Air Hose (Ø4 x Ø2.5 x 630mm)	1
16	FUSN-L20169B	PU Air Hose (Ø4 x Ø2.5 x 450mm)	1
17	FUSN-L20026M	PU Air Hose (Ø6 x Ø4 x 840mm)	1
18	NLN8.S	Nyloc Nut M8 Zinc	1

NOTE: It is our policy to continually improve products and as such we reserve the right to alter data, specifications and component parts without prior notice. There may be alternative versions of this product, please contact us should you require this information.

IMPORTANT: No liability is accepted for incorrect use of product. Spare parts must be fitted by a competent person

WARRANTY: Guarantee is 12 months from purchase date, proof of which will be required for any claim.