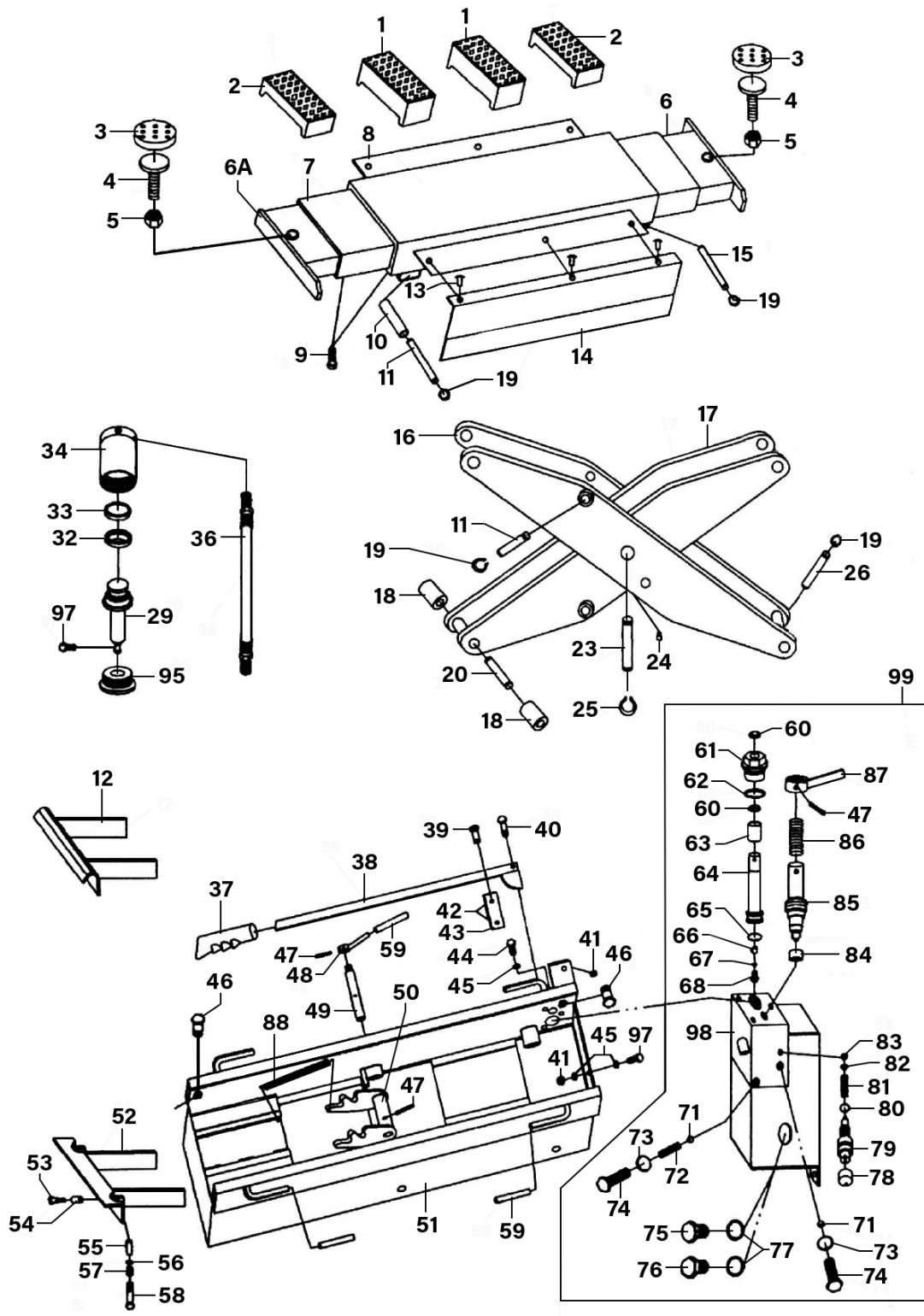


Parts Information:  
**Jacking Beam 2tonne with Arm Extenders  
 & Flat Roller Supports**  
**Model No: SJBEX200.V2**



Item	Part No.	Description
1	SJBEX200.2-01	Aluminium Saddle 1 (Single)(Large)
2	SJBEX200.2-02	Aluminium Saddle 2 (Single)(Small)

Item	Part No.	Description
3	SJBEX200.2-03	Rubber Saddle Cover
4	SJBEX200.2-04	Threaded Saddle

**NOTE:** It is our policy to continually improve products and as such we reserve the right to alter data, specifications and component parts without prior notice. There may be alternative versions of this product, please contact us should you require this information.

**IMPORTANT:** No liability is accepted for incorrect use of product. Spare parts must be fitted by a competent person

**WARRANTY:** Guarantee is 12 months from purchase date, proof of which will be required for any claim.



Parts Information:  
**Jacking Beam 2tonne with Arm Extenders  
 & Flat Roller Supports**  
**Model No: SJBEX200.V2**

Item	Part No.	Description
5	SN24.SB	Steel Nut M24 Black
6	SJBEX200.2-06	Adjustable Beam (Right Side)
6A	SJBEX200.2-6L	Adjustable Beam (Left Side)
7	SJBEX200.2-07	Adjustable Beam Insert
8	SJBEX200.2-08	Lifting Beam
9	SJBEX200.2-09	Screw
10	SJBEX200.2-10	Shaft Bushing (Length 98mm,o/d 36.5mm)
11	SJBEX200.2-11	Shaft (Length 130mm,o/d 19mm)
12	SJBEX200.2-12	Hook End Mounting
13	MSP68.S	Machine Screw Pan Head Phillips M6 X 8mm
14	SJBEX200.2-14	Protective Plate
15	SJBEX200.2-15	Shaft (Length 110mm,o/d 19mm)
16	SJBEX200.2-16	Outer Scissors Arm
17	SJBEX200.2-17	InnerScissors Arm
19	SJBEX200.2-18	Shaft Bushing (Length 55mm,o/d 38.5mm,i/d 20mm)
19	3015CXD.01	External Circlip 16.3mm ID
20	SJBEX200.2-20	Shaft (Length 210mm,o/d 19mm)
23	SJBEX200.2-23	Shaft Llength 132mm,o/d 25mm)
24	SJBEX200.2-24	Oil Inlet
25	3015CXD.11	External Circlip 23.00mm ID
26	SJBEX200.2-26	Shaft (length 235mm,o/d 19mm)
29	SJBEX200.2-29	Piston
32	SJBEX200.2-32	Retaining Ring
33	SJBEX200.2-33	Seal 53*63*6
34	SJBEX200.2-34	Cylinder
36	SJBEX200.2-36	Oil Pipe (410mm Straight m/m)(1/4 bsp)
37	SJBEX200.2-37	Handle Grip
38	SJBEX200.38A	Handle
39	SJBEX200.39A	Pin shaft
40	HHB845.S	Hex Head Bolt M8 x 45mm
41	SN8.S	Steel Nut M8 Zinc
42	BTR4.V2-10	Cotter Pin 2 x 25
43	SJBEX200.43A	Block
44	SS812.S	Hex Head Set Screw M8 X 12 Zinc
45	FWM8.S	Flat Washer M8 Zinc
46	SS1225.S	Hex Head Set Screw M12 X 25 Zinc
47	SJBEX200.2-47	Spring Pin M4.4 X 25
48	SJBEX200.2-48	Knob, Handle, Hexagonal, M12 Threaded Female Fitting
49	SJBEX200.2-49	Shaft
50	SJBEX200.2-50	Safety Lock
51	SJBEX200.2-51	Chassis

Item	Part No.	Description
52	SJBEX200.2-52	Flat-End Mounting
53	SJBEX200.2-53	Screw
54	SJBEX200.2-54	Bushing
55	SJBEX200.2-55	Block
56	SJBEX200.2-56	washer
57	SJBEX200.2-57	Spring Dia13.8mm
58	HHB865.S	Hex Head Bolt M8 x 65mm
59	SJBEX200.2-59	Handle Grip
60	SJBEX200.2-60	Seal Blue (12*18*6)
61	SJBEX200.2-61	Pump Housing
62	SJBEX200.2-62	Seal Washer
63	SJBEX200.2-63	Copper Bushing
64	SJBEX300.64A	Piston Complete
65	SJBEX200.2-65	Seal Ring
66	SJBEX200.2-66	Liner
67	SB-5.0	Steel Ball 5.0mm
68	SJBEX200.2-68	Screw
71	SB-6.4	Steel Ball 6.4mm
72	SJBEX200.2-72	Spring Dia 5.6mm
73	SJBEX200.2-73	Seal Washer
74	SS1025.SB	Hex Head Set Screw M10 X 25 Black
75	SJBEX200.2-75	Air Vent Valve
76	SJBEX200.2-76	Screw
77	SJBEX200.2-77	O-Ring, (Ex: 20.58 In: 15.41 Cs: 2.59)
78	SJBEX200.2-78	Cover
79	SJBEX200.2-79	Adjusting screw
80	SJBEX200.2-80	O-ring, (Ex: 12.45 In: 6.96 Cs: 2.75)
81	SJBEX200.2-81	Spring Dia 7.4mm
82	SJBEX200.2-82	Spring guide
83	SB-5.6	Steel Ball 5.6mm
84	SJBEX200.2-84	Seal Washer
85	SJBEX200.2-85	Release Rod
86	SJBEX200.2-86	Spring Dia 17.2mm
87	SJBEX200.2-87	Release Knob
88	SJBEX200.2-88	Spring Dia 12.8mm
95	SJBEX200.2-95	Cylinder Cap
97	SS825.S	Hex Head Set Screw M8 X 25 Zinc
98	SJBEX200.2-98	Pump Block
99	SJBEX200.2-99	Complete Pump Unit
--	SJBEX200.2WSL	Warning Safety Label (Not Shown)
--	SJBEX200.L	Label For SJBEX200 (Not Shown)
--	SJBEX200.87A	Lever, Release, M16 Castle Nut Fitting (Not Shown)

**NOTE:** It is our policy to continually improve products and as such we reserve the right to alter data, specifications and component parts without prior notice. There may be alternative versions of this product, please contact us should you require this information.

**IMPORTANT:** No liability is accepted for incorrect use of product. Spare parts must be fitted by a competent person

**WARRANTY:** Guarantee is 12 months from purchase date, proof of which will be required for any claim.

**Sealey Group**, Kempson Way, Suffolk Business Park, Bury St Edmunds, Suffolk. IP32 7AR



01284 757500



01284 703534



sales@sealey.co.uk



www.sealey.co.uk