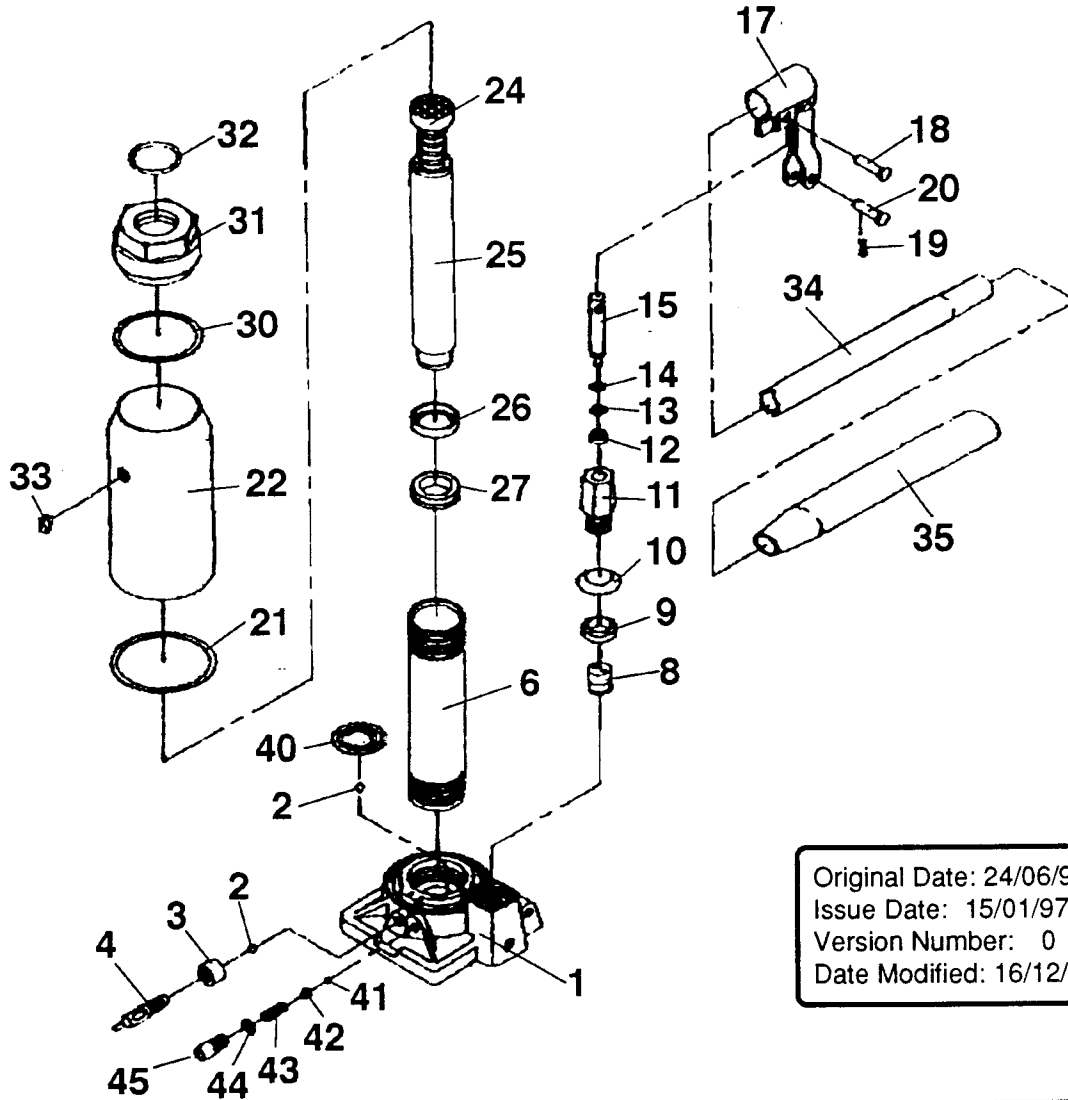


SEALEY

Quality MACHINERY

SJ8 BOTTLE JACK PARTS LIST & DIAGRAM



Original Date: 24/06/93
 Issue Date: 15/01/97
 Version Number: 0
 Date Modified: 16/12/96

Index no.	Stock Code	Description	Qty
1	SJ8/01	Base	1
2	SJ8/02	Ball, 1/4"	2
3	SJ8/03	Seal	1
4	SJ8/04	Release Valve	1
6	SJ8/06	Cylinder	1
8	SJ8/08	Check Valve Kit	1
9	SJ8/09	Seal	1
10	SJ8/10	Cap Washer	1
11	SJ8/11	Pump Cylinder	1
13	SJ8/13	O-Ring	1
14	SJ8/14	Cup Seal	1
15	SJ8/15	Back-up Ring	1
16	SJ8/16	Pump Plunger	1
17	SJ8/17	Handle Sleeve	1
18	SJ8/18	Pin	2
19	SJ8/19	Cotter Pin	1
20	SJ8/20	Pin	1
21	SJ8/21	Packing	1

Index no.	Description	Qty	
22	SJ8/22	Reservoir	1
24	SJ8/24	Extension Screw	1
25	SJ8/25	Ram	1
26	SJ8/26	Bushing	1
27	SJ8/27	Cup Seal	1
30	SJ8/30	Packing	1
31	SJ8/31	Top Nut	1
32	SJ8/32	O-Ring	1
33	SJ8/33	Filler Plug	1
34	SJ8/34	Handle	1
35	SJ8/35	Handle	1
40	SJ8/40	Copper Washer	1
41	SJ8/41	Ball, 3/16"	1
42	SJ8/42	Spring Plunger	1
43	SJ8/43	Spring Safety Valve	1
44	SJ8/44	O-Ring	1
45	SJ8/45	Screw Safety Valve	1