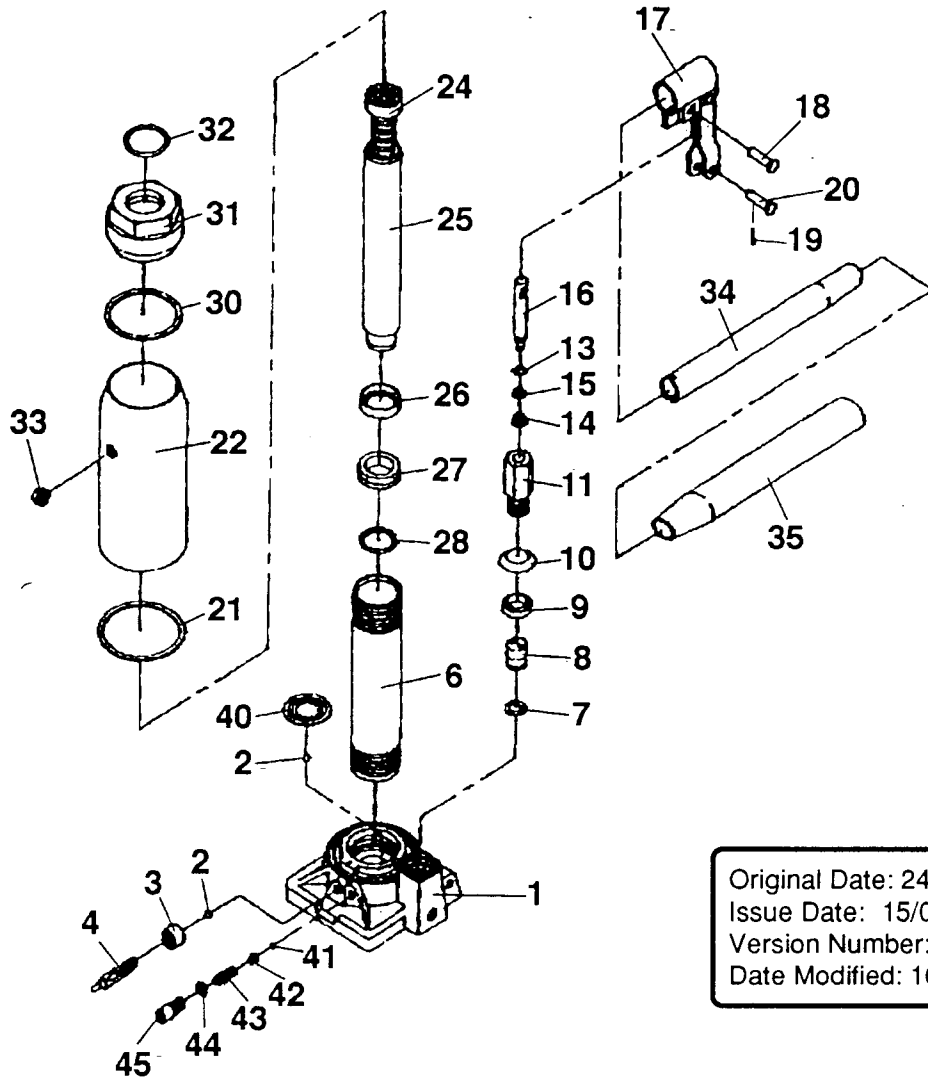


SEALEY

Quality MACHINERY

SJ5 & SJ6 BOTTLE JACKS PARTS LIST & DIAGRAM



Original Date: 24/06/93
Issue Date: 15/01/97
Version Number: 0
Date Modified: 16/12/96

Index no.	Stock Code	Description	Qty
1	SJ5/01	Base	1
2	SJ5/02	Ball, 1/4"	2
3	SJ5/03	Seal	1
4	SJ5/04	Release Valve	1
6	SJ5/06	Cylinder	1
7	SJ5/07	Washer	1
8	SJ5/08	Check Valve Kit	1
9	SJ5/09	Seal	1
10	SJ5/10	Cap Washer	1
11	SJ5/11	Pump Cylinder	1
13	SJ5/13	O-Ring	1
14	SJ5/14	Cup Seal	1
15	SJ5/15	Back-up Ring	1
16	SJ5/16	Pump Plunger	1
17	SJ5/17	Handle Sleeve	1
18	SJ5/18	Pin	2
19	SJ5/19	Cotter Pin	1
20	SJ5/20	Pin	1
21	SJ5/21	Packing	1

Index no.	Description	Qty	
22	SJ5/22	Reservoir	1
24	SJ5/24	Extension Screw	1
25	SJ5/25	Ram	1
26	SJ5/26	Bushing	1
27	SJ5/27	Cup Seal	1
28	SJ5/28	Cap Washer	1
30	SJ5/30	Packing	1
31	SJ5/31	Top Nut	1
32	SJ5/32	O-Ring	1
33	SJ5/33	Filler Plug	1
34	SJ5/34	Handle	1
35	SJ5/35	Handle	1
40	SJ5/40	Copper Washer	1
41	SJ5/41	Ball, 3/16"	1
42	SJ5/42	Spring Plunger	1
43	SJ5/43	Spring Safety Valve	1
44	SJ5/44	O-Ring	1
45	SJ5/45	Screw Safety Valve	1