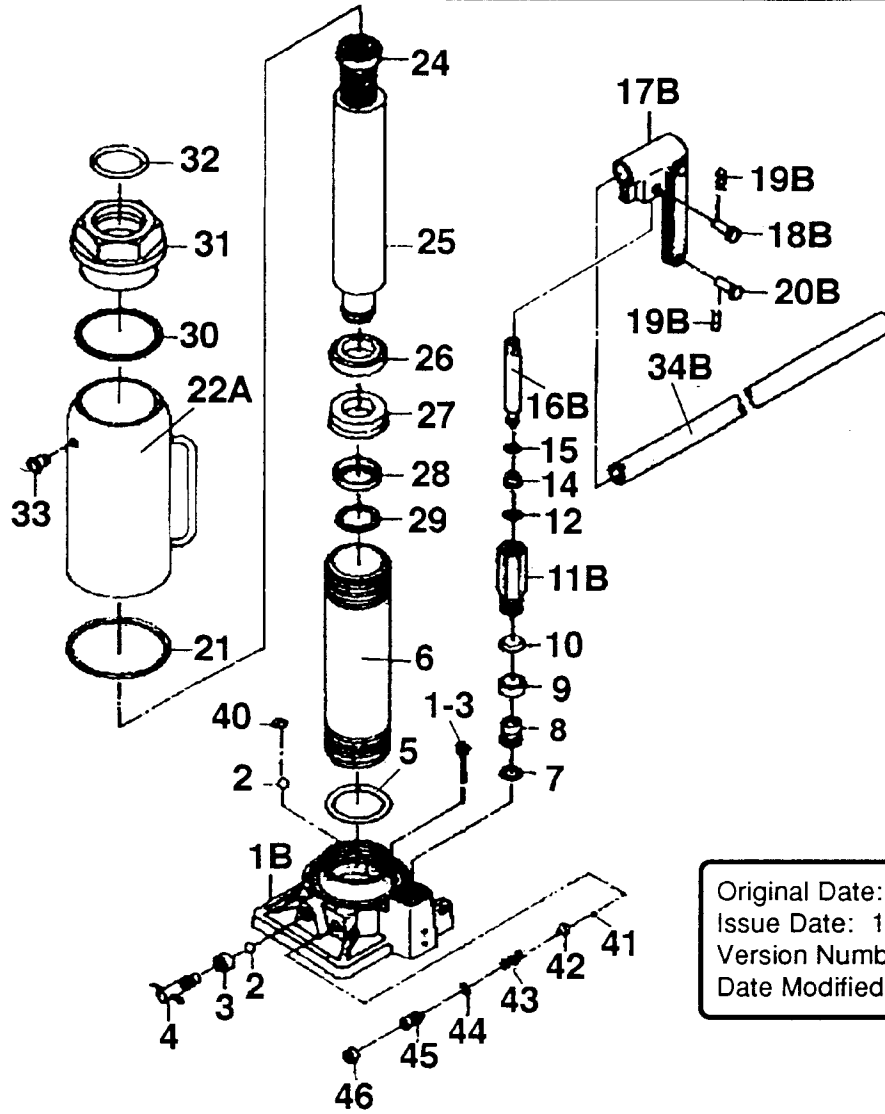


SEALEY

Quality MACHINERY

SJ20 BOTTLE JACK PARTS LIST & DIAGRAM



Original Date: 24/06/93
Issue Date: 15/01/97
Version Number: 0
Date Modified: 19/12/96

Index no.	Stock Code	Description	Qty
1B	SJ20/01B	Base	1
1-3	SJ20/01-3	Filter	1
2	SJ8/02	Ball, 1/4"	2
3	SJ8/03	Seal	1
4	SJ8/04	Release Valve	1
5	SJ20/05	O-Ring	1
6	SJ20/06	Cylinder	1
7	SJ20/07	Washer	1
8	SJ20/08	Check Valve Kit	1
9	SJ20/09	Seal	1
10	SJ20/10	Cap Washer	1
11B	SJ20/11B	Pump Cylinder	1
13	SJ20/13	O-Ring	1
14	SJ20/14	Cup Seal	1
15	SJ20/15	Back-up Ring	1
16B	SJ20/16B	Pump Plunger	1
17B	SJ20/17B	Handle Sleeve	1
18B	SJ8/18	Pin	2
19B	SJ8/19	Cotter Pin	1
20B	SJ12/20	Pin	1

Index no.	Description	Qty	
21	SJ20/21	Packing	1
22A	SJ20/22A	Reservoir	1
24	SJ20/24	Extension Screw	1
25	SJ20/25	Ram	1
26	SJ20/26	Bushing	1
27	SJ20/27	Cup Seal	1
28	SJ20/28	Cap Washer	1
29	SJ20/29	Circlip	1
30	SJ20/30	Packing	1
31	SJ20/31	Top Nut	1
32	SJ20/32	O-Ring	1
33	SJ8/33	Filler Plug	1
34B	SJ12/34	Handle	1
40	SJ20/40	Washer	1
41	SJ20/41	Ball, 3/16"	1
42	SJ20/42	Spring Plunger	1
43	SJ20/43	Spring Safety Valve	1
44	SJ20/44	O-Ring	1
45	SJ20/45	Screw Safety Valve	1
46	SJ20/46	Plastic Cap Safety Valve	1